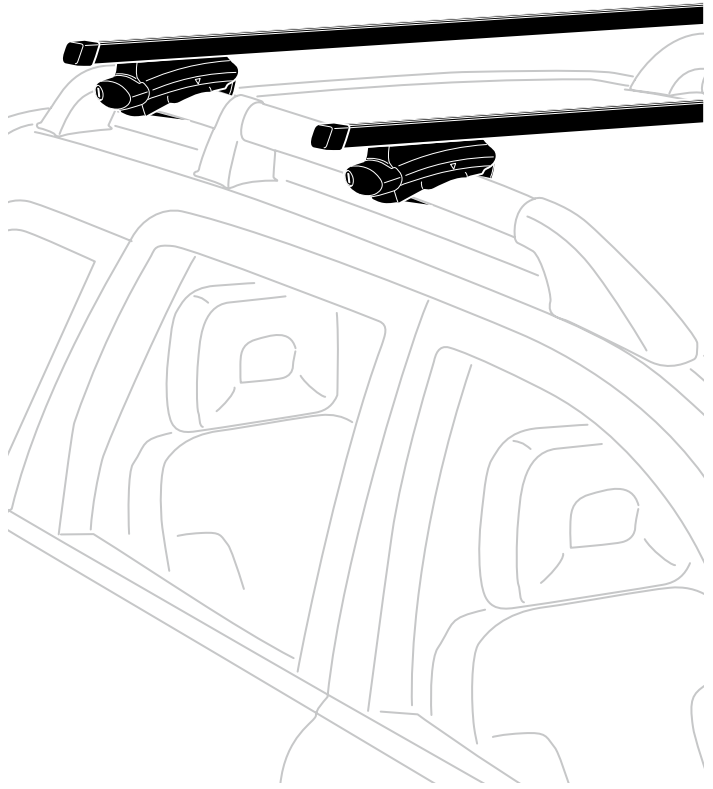


instructions

Rapid System 775

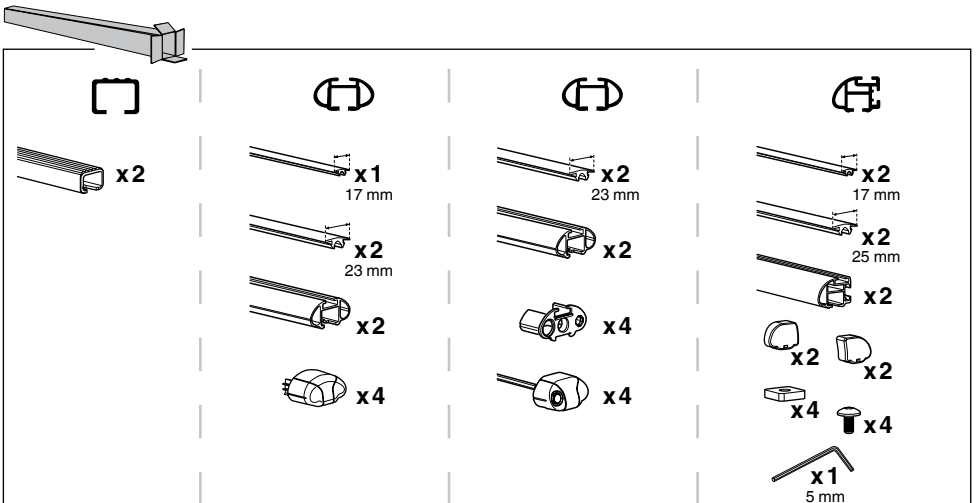
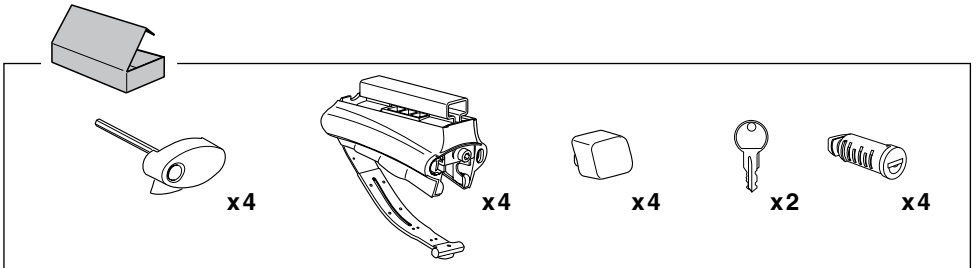
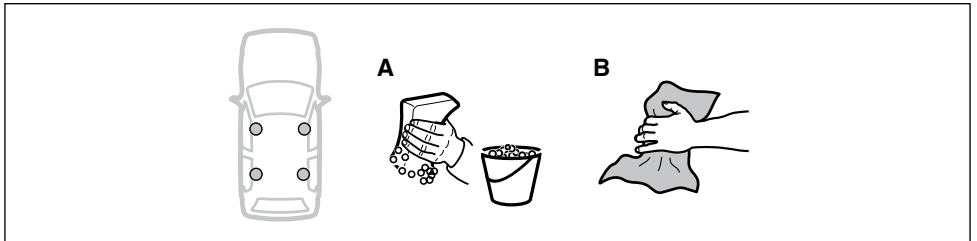
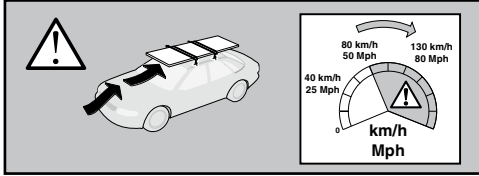
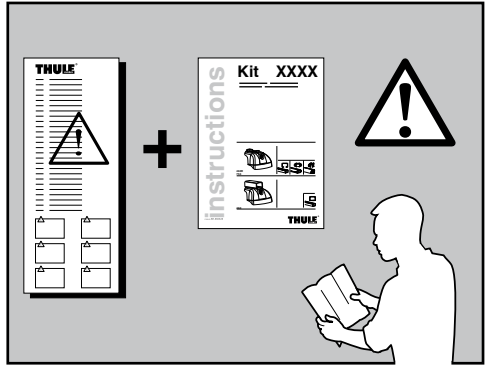
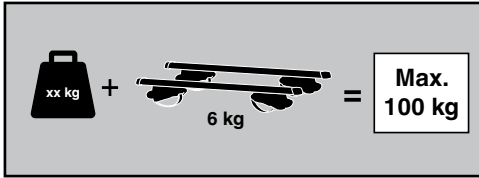


775000

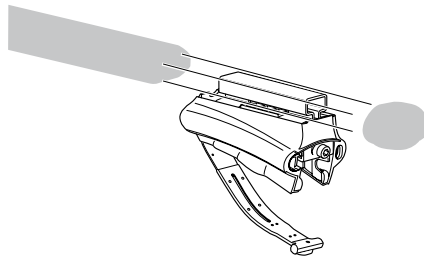
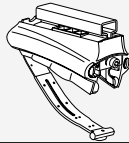


ISO 11154-E

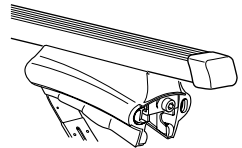
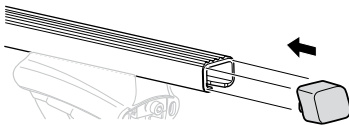
THULE[®]
SWEDEN



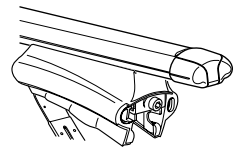
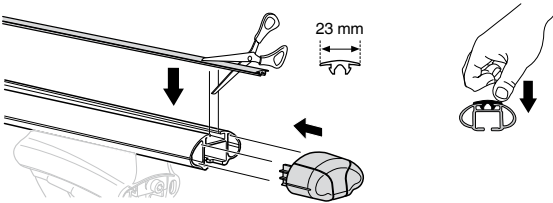
1



x4

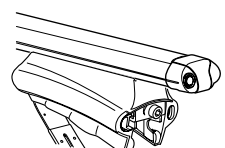
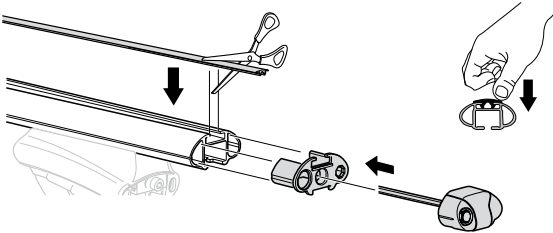


x4



x4

x4



x2

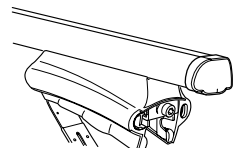
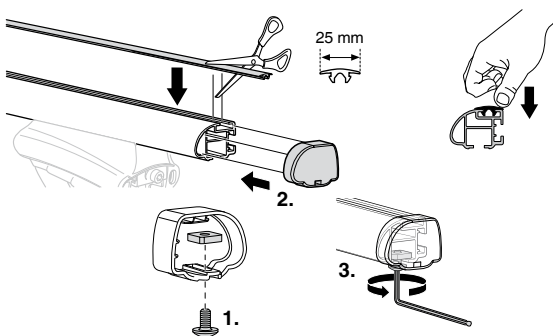
x2

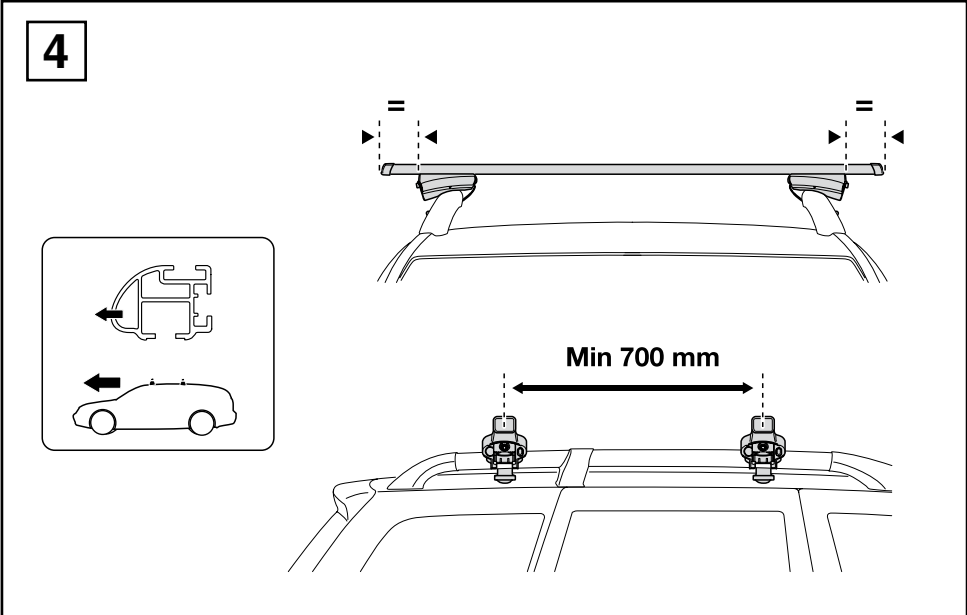
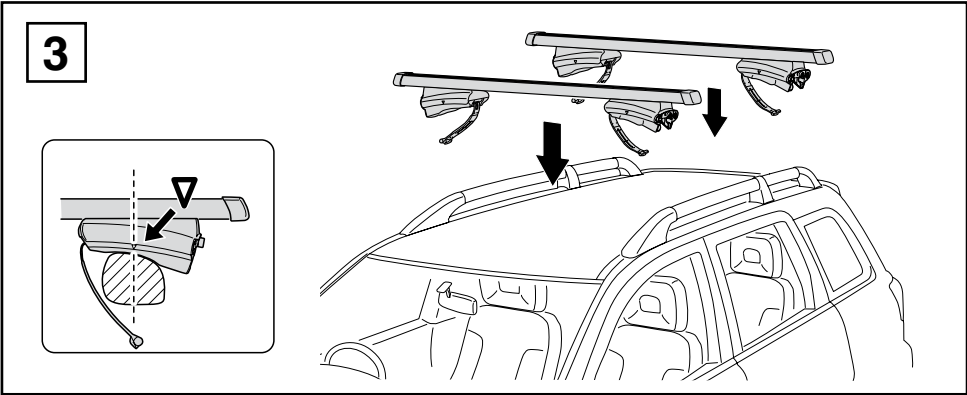
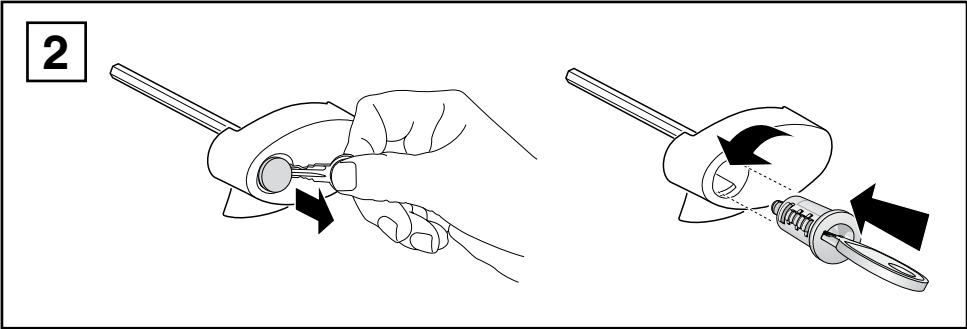
x4

x4

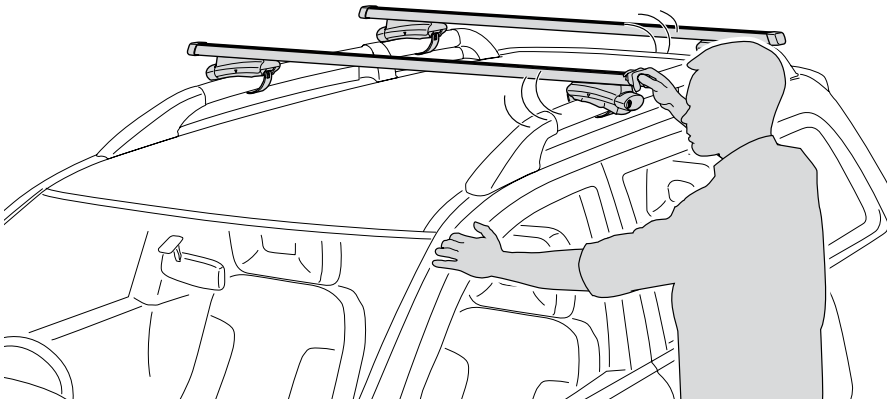
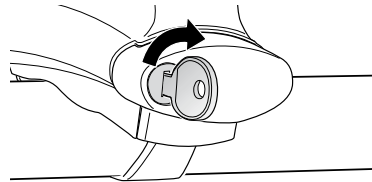
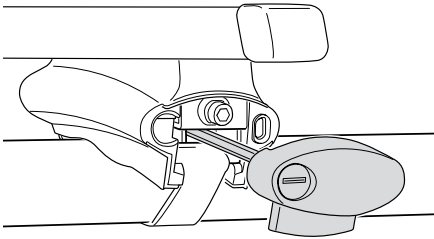
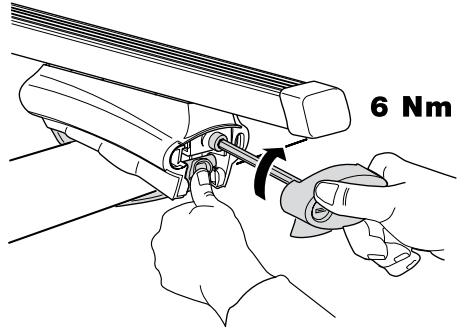
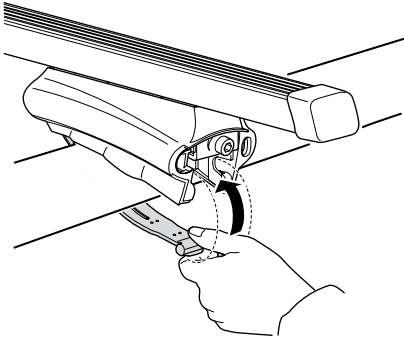
x1

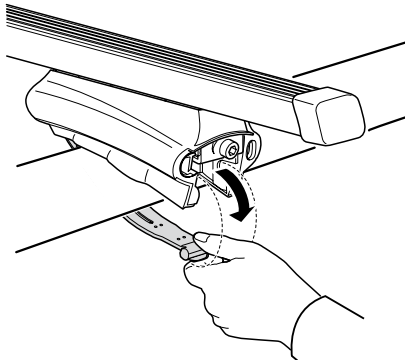
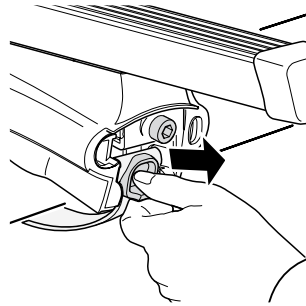
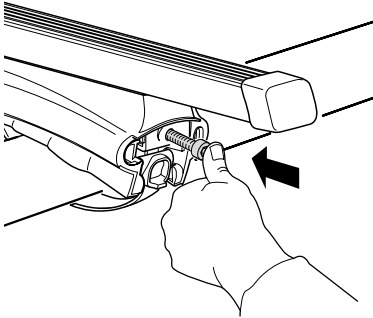
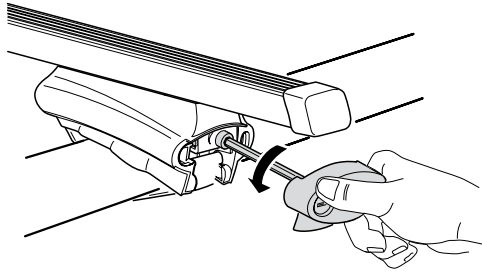
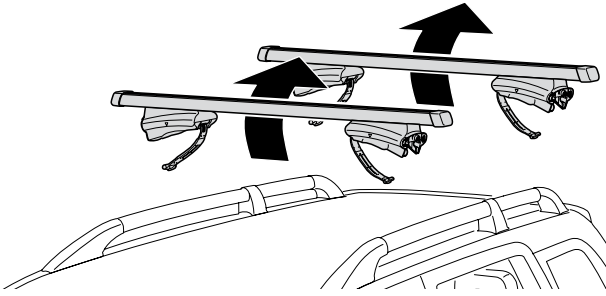
5 mm

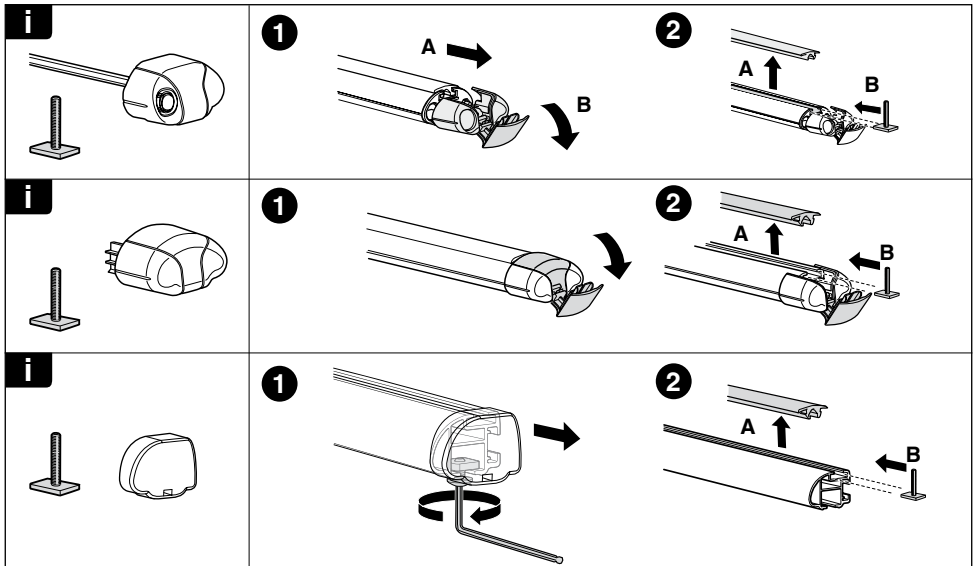
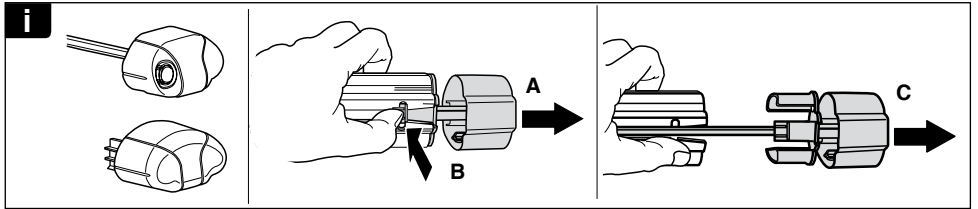
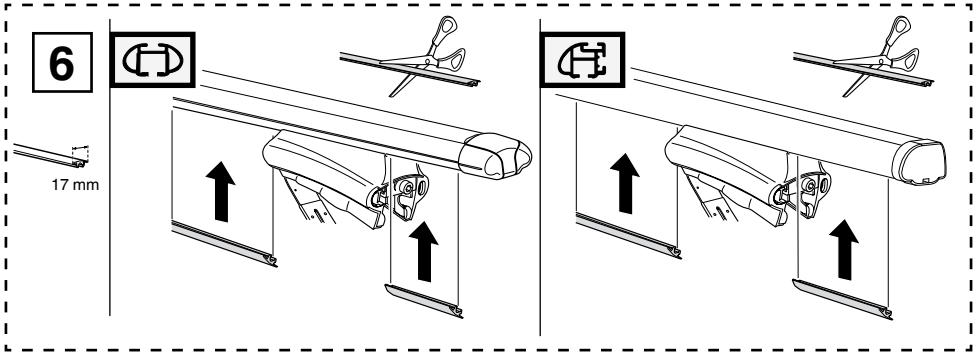




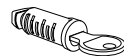
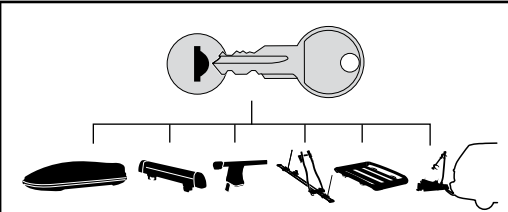
5







THULE
SWEDEN
**ONE
KEY
SYSTEM**



544  (x4)

596  (x6)

588  (x8)

452  (x12)