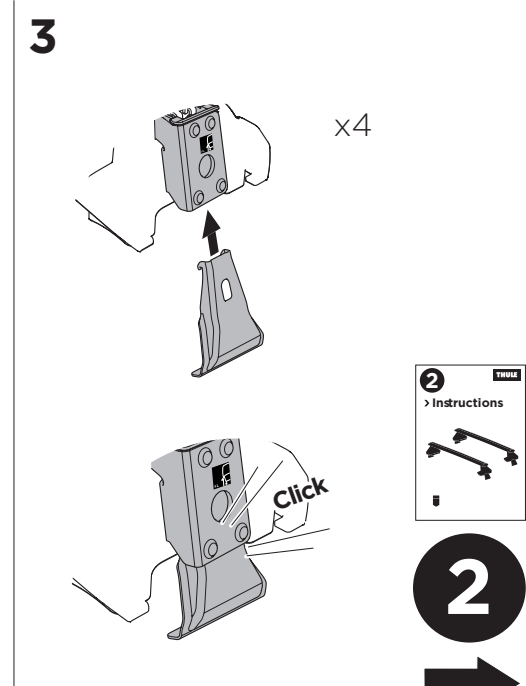
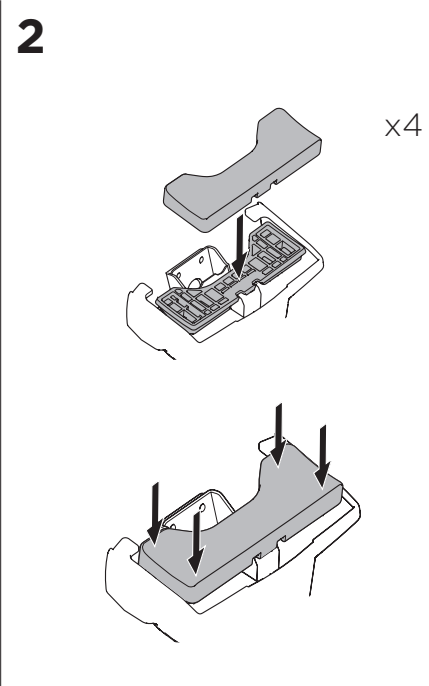
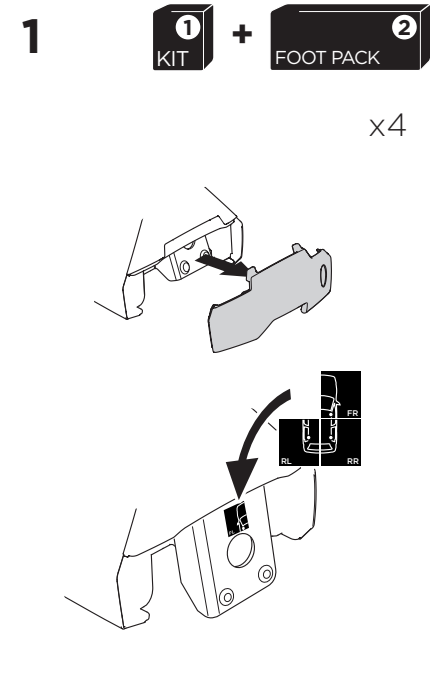
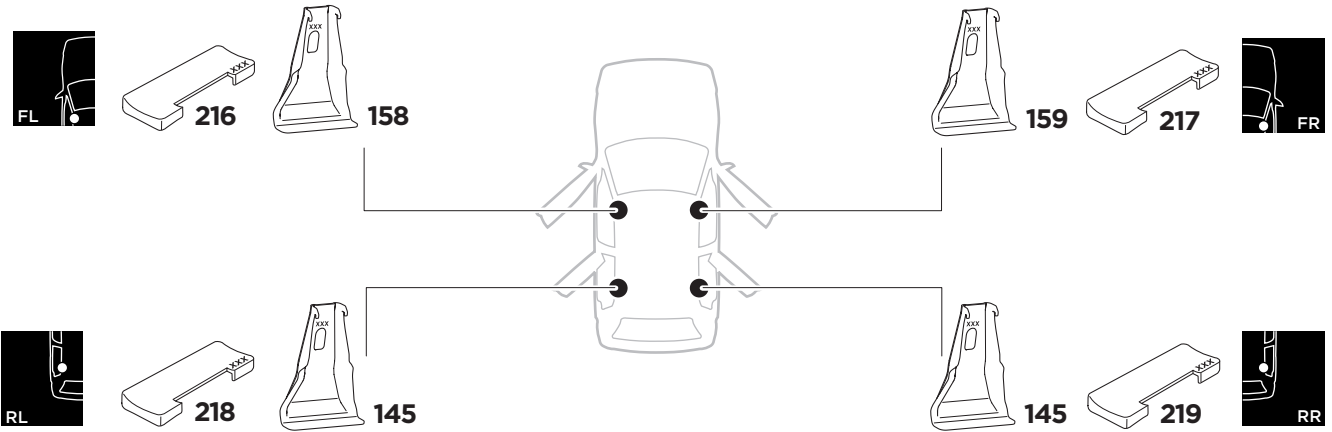
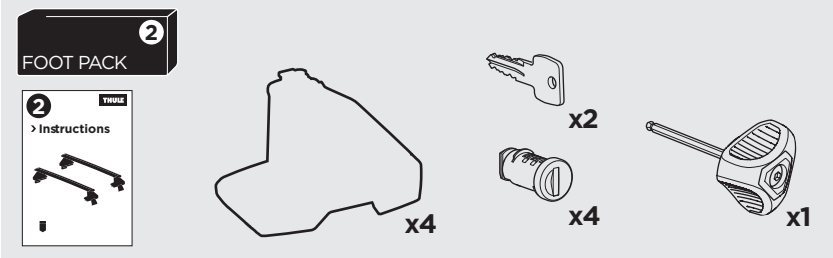
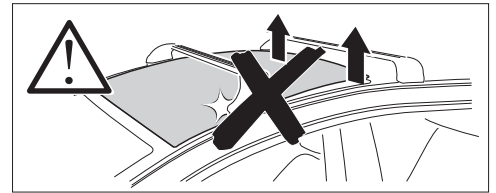
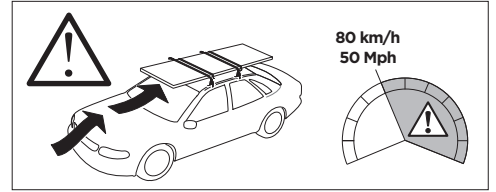
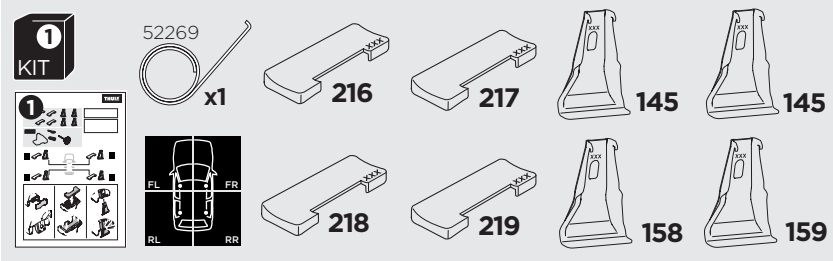


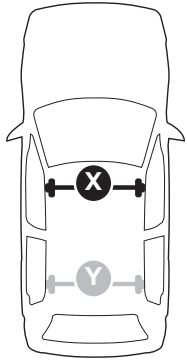
1

Kit 5049

PORSCHE Panamera, 5-dr Hatchback, 17-

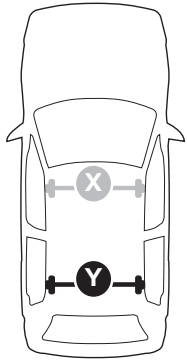
ISO 11154-E





THULE WingBar Evo	THULE WingBar Edge	THULE WingBar	THULE SquareBar	Evo X (scale)	Edge X (scale)
PORSCHE Panamera, 5-dr Hatchback, 17-				43,5	J

THULE ProBar	THULE SlideBar	X (mm/inch)		
PORSCHE Panamera, 5-dr Hatchback, 17-		1086 mm / 42 3/4"		



THULE WingBar Evo	THULE WingBar Edge	THULE WingBar	THULE SquareBar	Evo Y (scale)	Edge Y (scale)
PORSCHE Panamera, 5-dr Hatchback, 17-				36,5	F

THULE ProBar	THULE SlideBar	Y (mm/inch)		
PORSCHE Panamera, 5-dr Hatchback, 17-		1016 mm / 40"		

	W (mm/inch)	Z (mm/inch)
PORSCHE Panamera, 5-dr Hatchback, 17-	760 mm / 29 7/8"	175 mm / 6 7/8"

