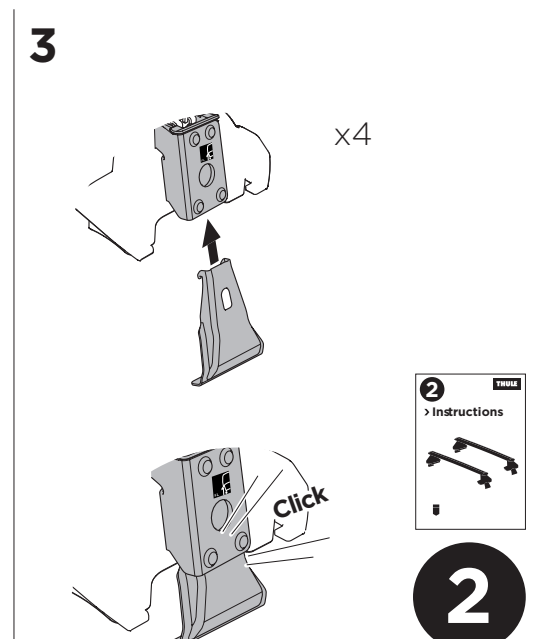
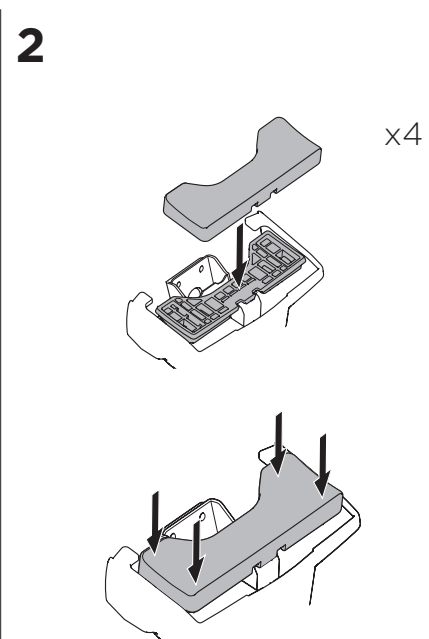
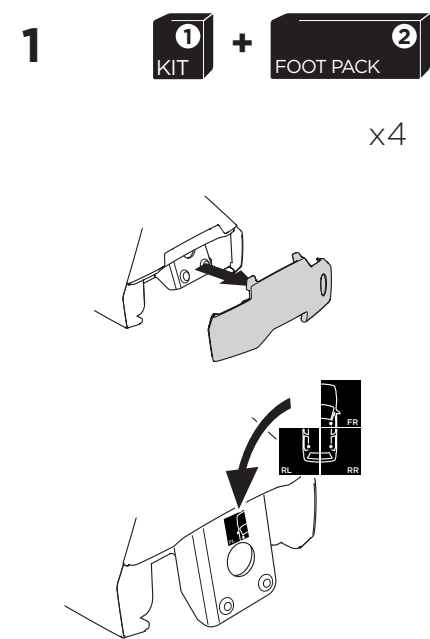
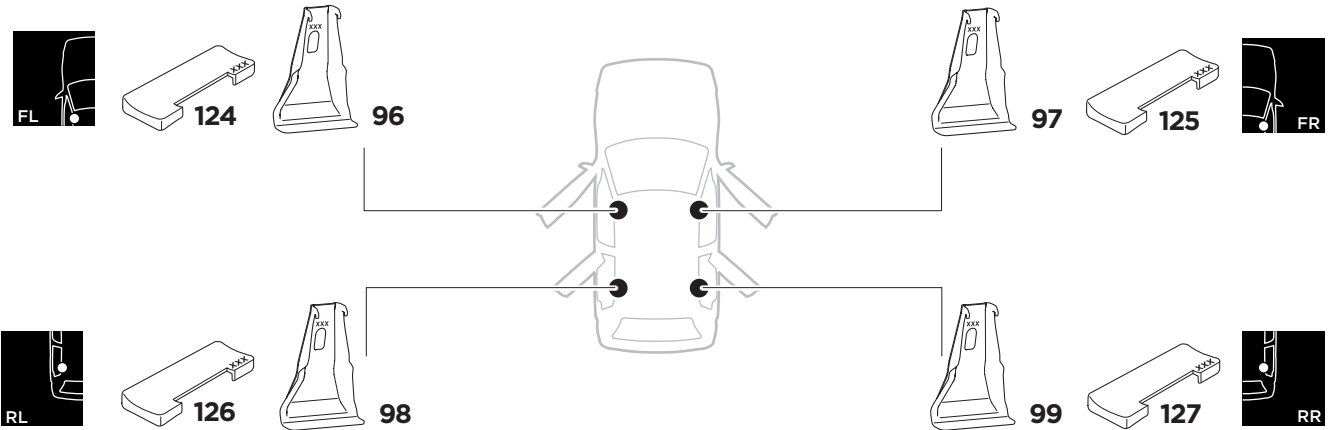
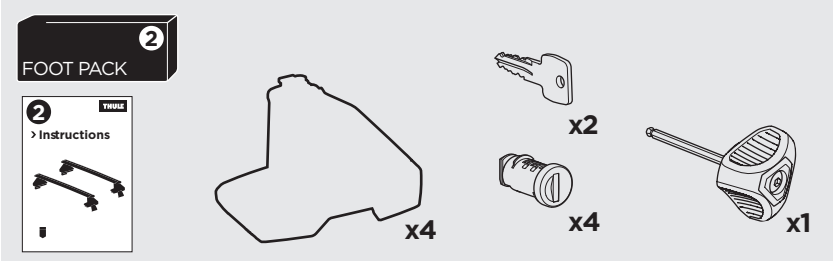
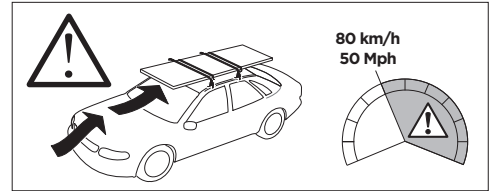
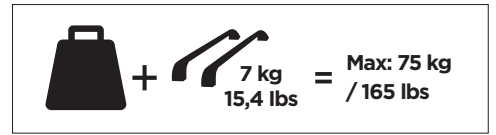
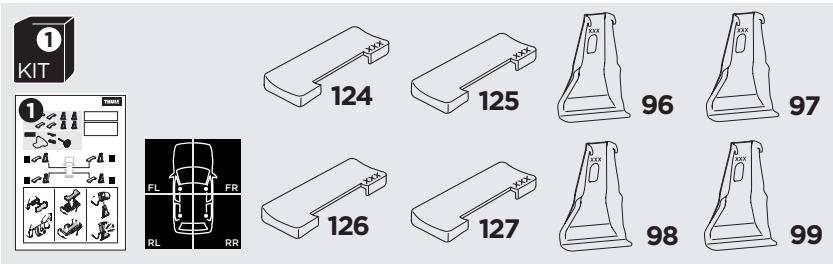


# 1

## Kit 5029 TOYOTA Prius, 5-dr Hatchback, 16-



ISO 11154-E





|  |                    |               |                 |                      |                       |
|--|--------------------|---------------|-----------------|----------------------|-----------------------|
| THULE WingBar Evo                        | THULE WingBar Edge | THULE WingBar | THULE SquareBar | <b>Evo X (scale)</b> | <b>Edge X (scale)</b> |
| <b>TOYOTA Prius, 5-dr Hatchback, 16-</b> |                    |               |                 | <b>43</b>            | <b>K</b>              |

|  |                |                          |  |  |
|--|----------------|--------------------------|--|--|
| THULE ProBar                             | THULE SlideBar | <b>X (mm/inch)</b>       |  |  |
| <b>TOYOTA Prius, 5-dr Hatchback, 16-</b> |                | <b>1081 mm / 42 1/2"</b> |  |  |



|  |                    |               |                 |                      |                       |
|--|--------------------|---------------|-----------------|----------------------|-----------------------|
| THULE WingBar Evo                        | THULE WingBar Edge | THULE WingBar | THULE SquareBar | <b>Evo Y (scale)</b> | <b>Edge Y (scale)</b> |
| <b>TOYOTA Prius, 5-dr Hatchback, 16-</b> |                    |               |                 | <b>33</b>            | <b>M</b>              |

|  |                |                         |  |  |
|--|----------------|-------------------------|--|--|
| THULE ProBar                             | THULE SlideBar | <b>Y (mm/inch)</b>      |  |  |
| <b>TOYOTA Prius, 5-dr Hatchback, 16-</b> |                | <b>981 mm / 38 5/8"</b> |  |  |

|  |                         |                        |
|--|-------------------------|------------------------|
|  | <b>W (mm/inch)</b>      | <b>Z (mm/inch)</b>     |
| <b>TOYOTA Prius, 5-dr Hatchback, 16-</b> | <b>770 mm / 30 3/8"</b> | <b>180 mm / 7 1/8"</b> |

