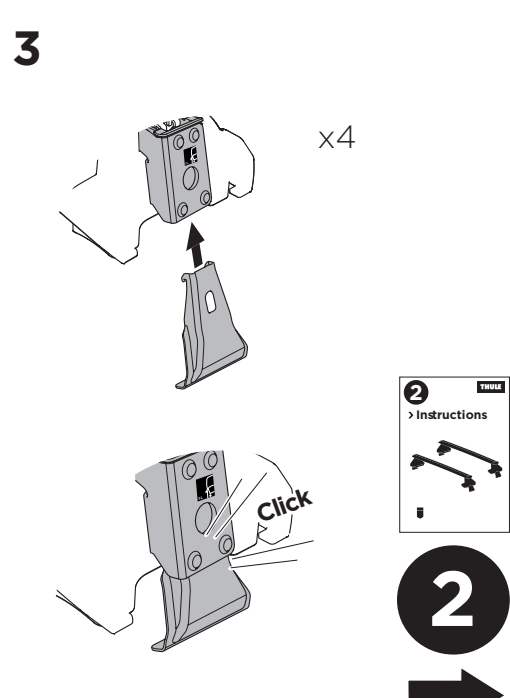
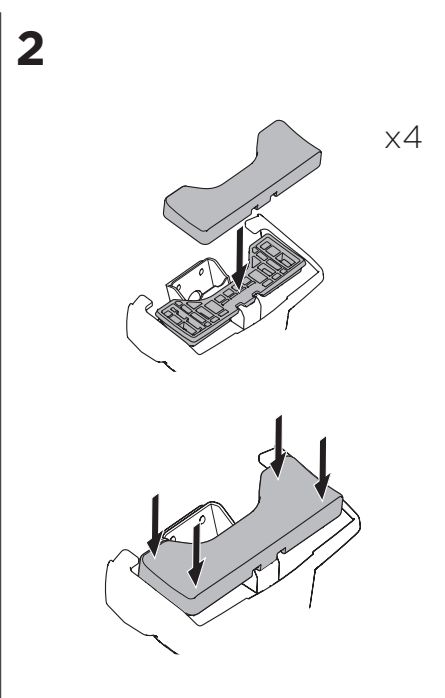
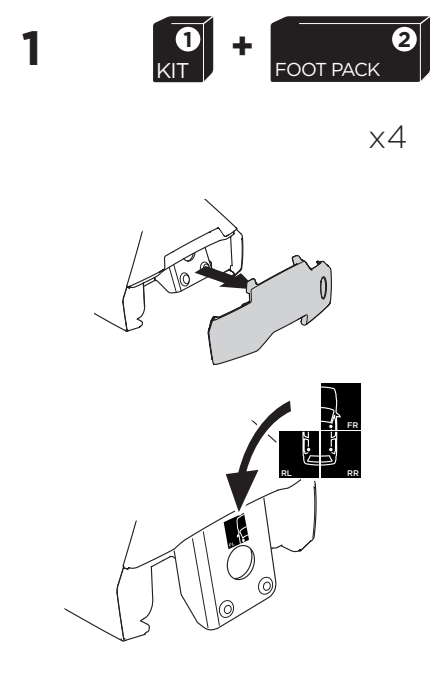
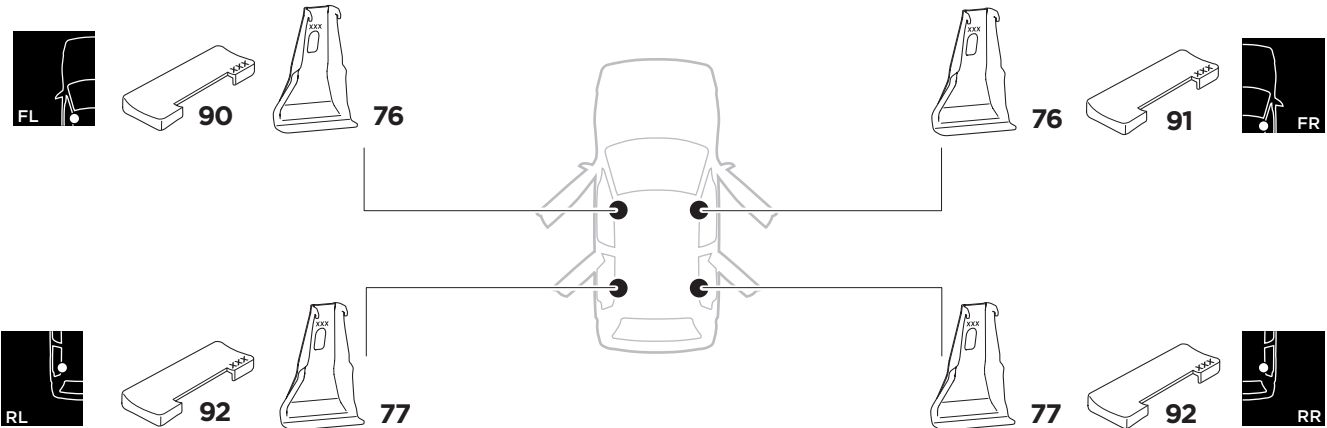
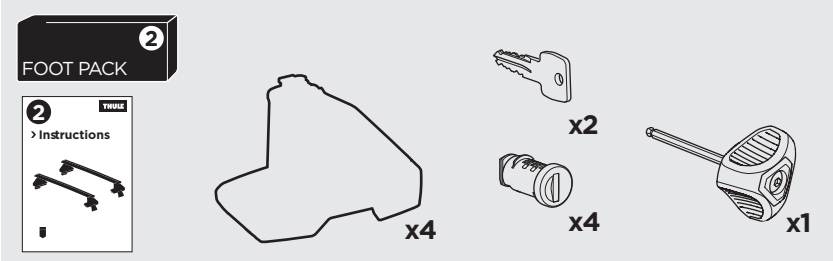
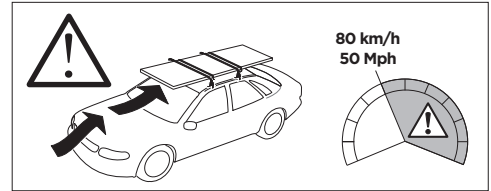
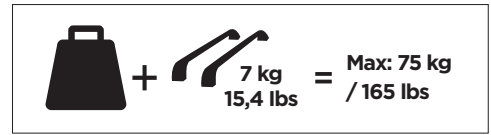
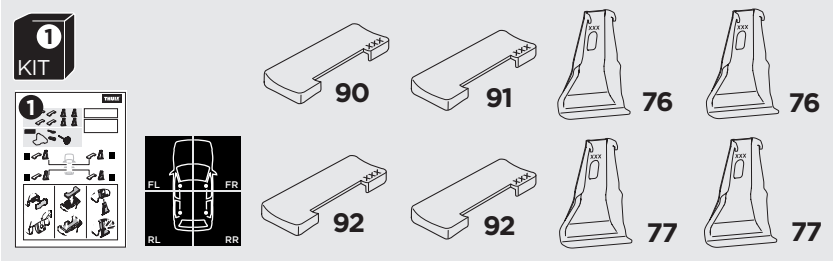


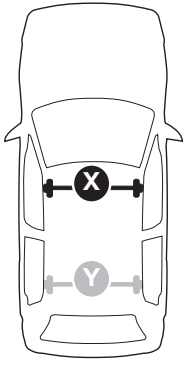
1

Kit 5019 RENAULT Captur, 5-dr SUV, 13-



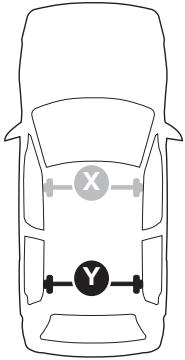
ISO 11154-E





THULE WingBar Evo	THULE WingBar Edge	THULE WingBar	THULE SquareBar	Evo X (scale)	Edge X (scale)
RENAULT Captur, 5-dr SUV, 13-				36	G

THULE ProBar	THULE SlideBar	X (mm/inch)		
RENAULT Captur, 5-dr SUV, 13-		1011 mm / 39 3/4"		



THULE WingBar Evo	THULE WingBar Edge	THULE WingBar	THULE SquareBar	Evo Y (scale)	Edge Y (scale)
RENAULT Captur, 5-dr SUV, 13-				32	O

THULE ProBar	THULE SlideBar	Y (mm/inch)		
RENAULT Captur, 5-dr SUV, 13-		971 mm / 38 1/4"		

	W (mm/inch)	Z (mm/inch)
RENAULT Captur, 5-dr SUV, 13-	720 mm / 28 3/8"	220 mm / 8 5/8"

