

1

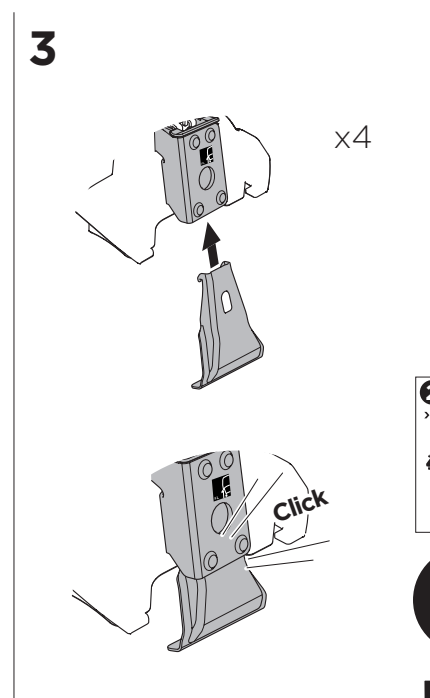
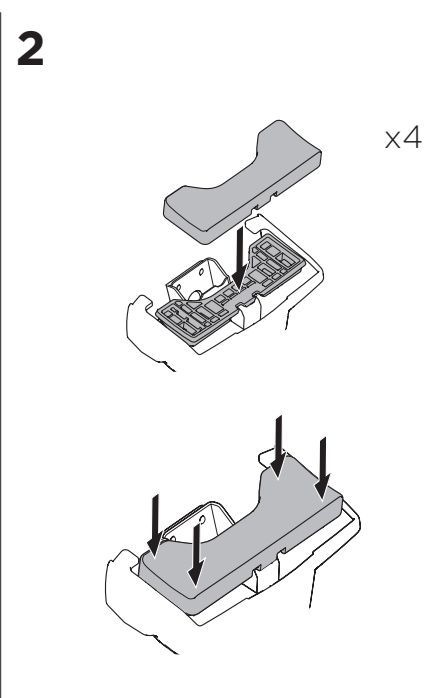
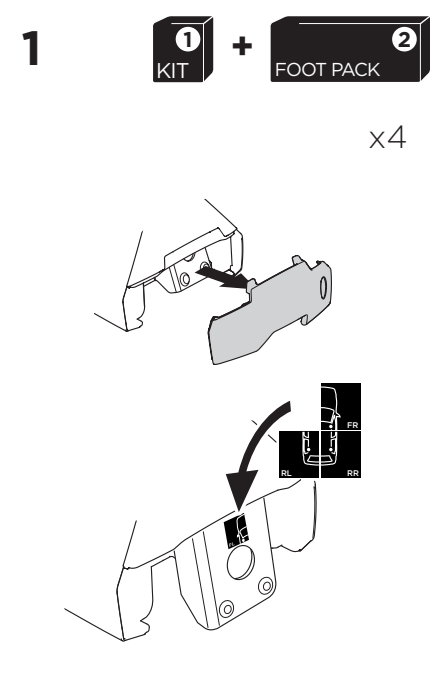
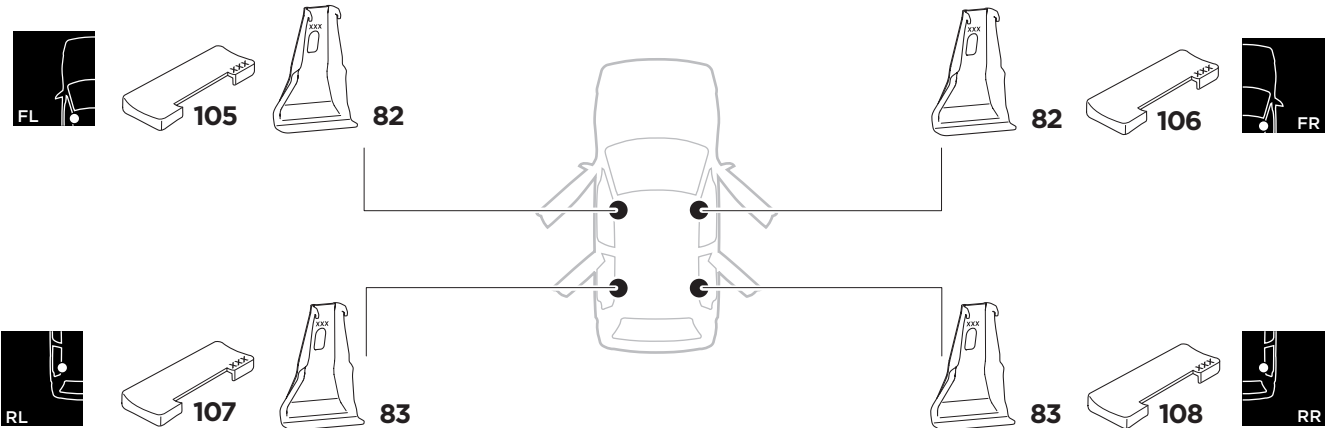
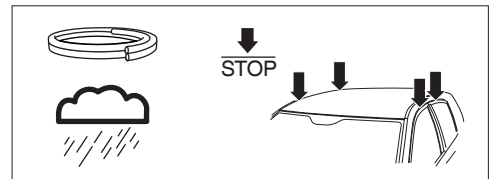
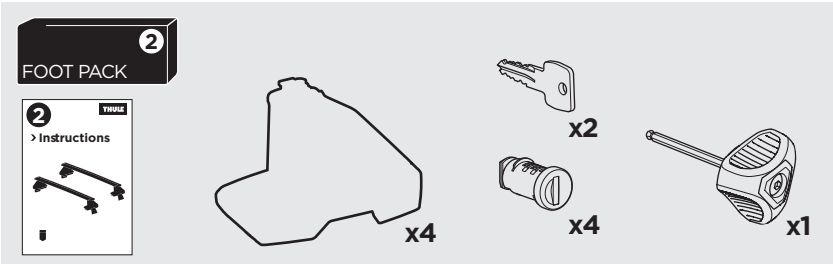
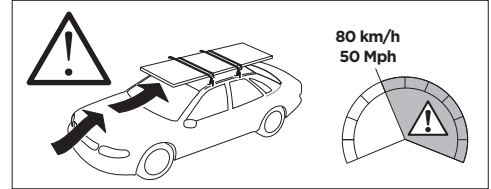
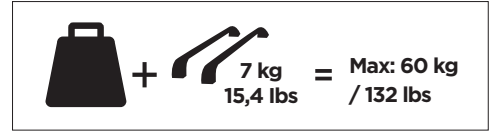
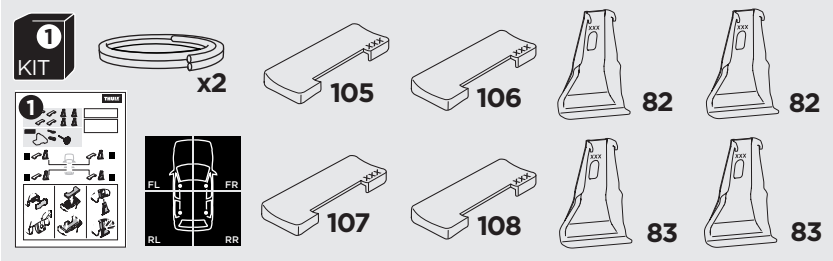
Kit 5010

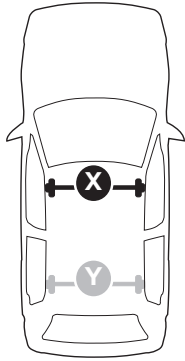
VOLKSWAGEN Golf (Mk. VII), 5-dr Hatchback, 13- / *15-
VOLKSWAGEN e-Golf, 5-dr Hatchback, 15-

*North America



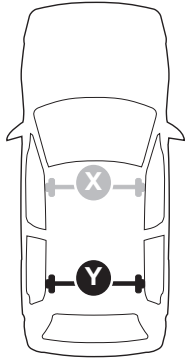
ISO 11154-E





THULE WingBar Evo	THULE WingBar Edge	THULE WingBar	THULE SquareBar	Evo X (scale)	Edge X (scale)
VOLKSWAGEN Golf (Mk. VII), 5-dr Hatchback, 13- / *15-				41,5	N
VOLKSWAGEN e-Golf, 5-dr Hatchback, 15-				41,5	N

THULE ProBar	THULE SlideBar			X (mm/inch)	
VOLKSWAGEN Golf (Mk. VII), 5-dr Hatchback, 13- / *15-				1066 / 42"	
VOLKSWAGEN e-Golf, 5-dr Hatchback, 15-				1066 / 42"	



THULE WingBar Evo	THULE WingBar Edge	THULE WingBar	THULE SquareBar	Evo Y (scale)	Edge Y (scale)
VOLKSWAGEN Golf (Mk. VII), 5-dr Hatchback, 13- / *15-				33,5	L
VOLKSWAGEN e-Golf, 5-dr Hatchback, 15-				33,5	L

THULE ProBar	THULE SlideBar			Y (mm/inch)	
VOLKSWAGEN Golf (Mk. VII), 5-dr Hatchback, 13- / *15-				986 / 38 7/8"	
VOLKSWAGEN e-Golf, 5-dr Hatchback, 15-				986 / 38 7/8"	

	W (mm/inch)	Z (mm/inch)
VOLKSWAGEN Golf (Mk. VII), 5-dr Hatchback, 13- / *15-	770 / 30 3/8"	230 / 9"
VOLKSWAGEN e-Golf, 5-dr Hatchback, 15-	770 / 30 3/8"	230 / 9"

