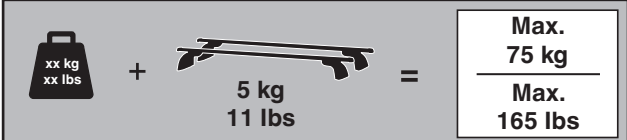


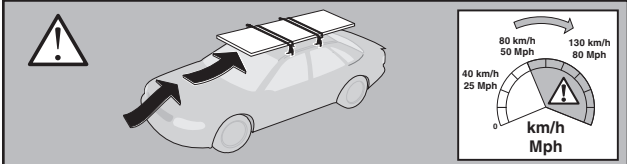
Rapid System Kit 4017

MITSUBISHI ASX, 5-dr SUV, 10–
MITSUBISHI RVR, 5-dr SUV, 10–

This kit is only for vehicles with flush or integrated side railing.



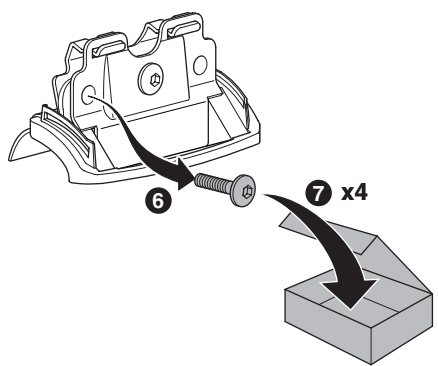
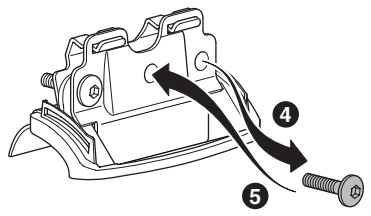
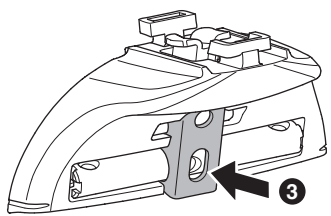
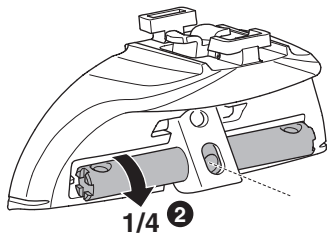
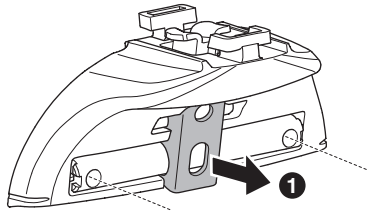
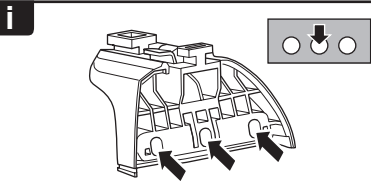
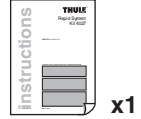
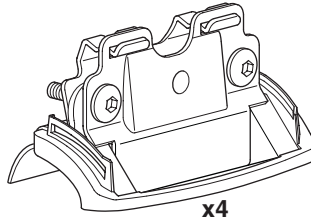
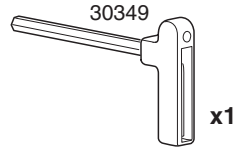
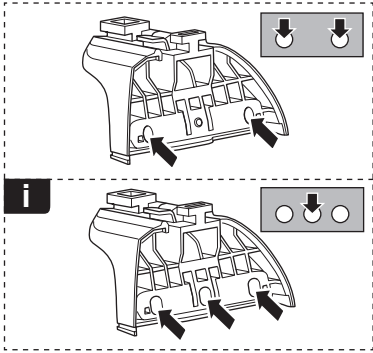
A diagram showing a weight limit calculation. On the left, a weight icon is labeled "xx kg" and "xx lbs". This is followed by a plus sign, a roof rack icon labeled "5 kg" and "11 lbs", and an equals sign. To the right, a box contains the text "Max. 75 kg" and "Max. 165 lbs".



A diagram showing a car with a roof rack. A warning triangle icon is on the left. On the right, a speedometer graphic shows a warning triangle in the red zone. The speedometer has markings for 40 km/h (25 Mph), 80 km/h (50 Mph), and 130 km/h (80 Mph).

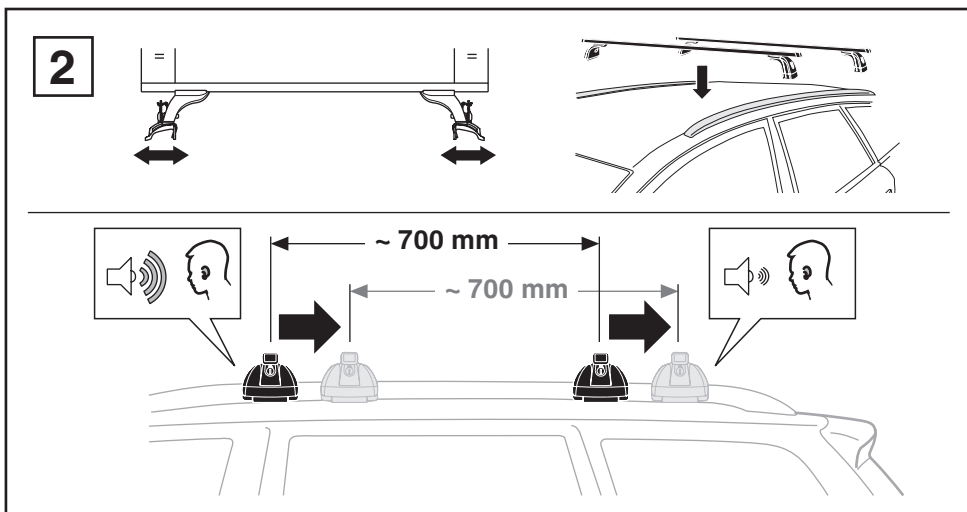
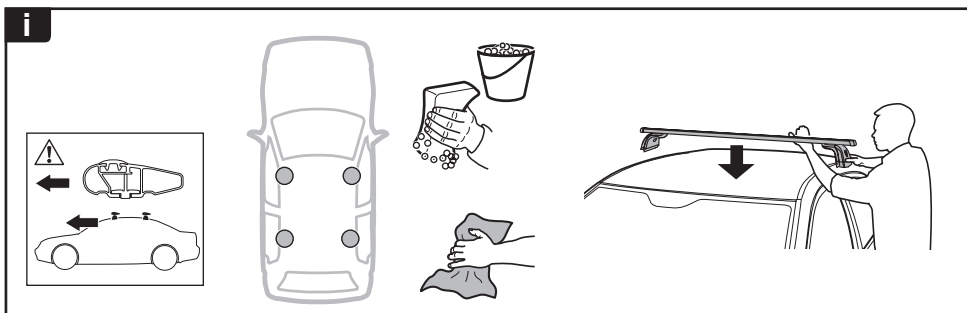
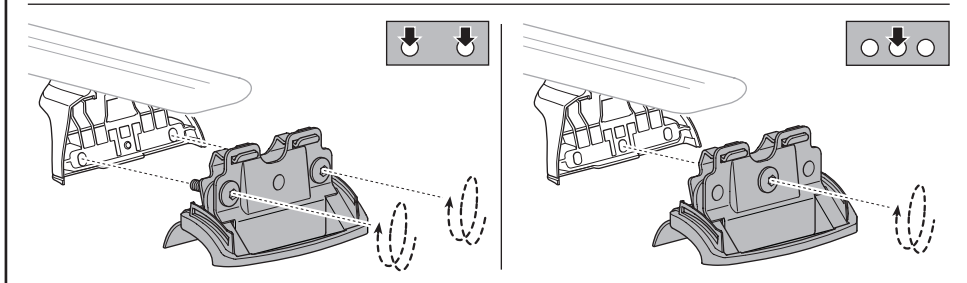


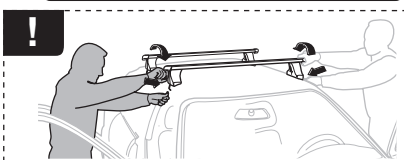
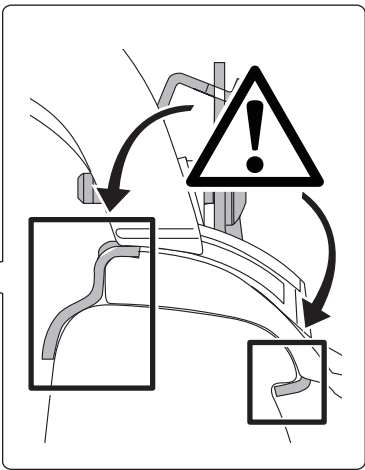
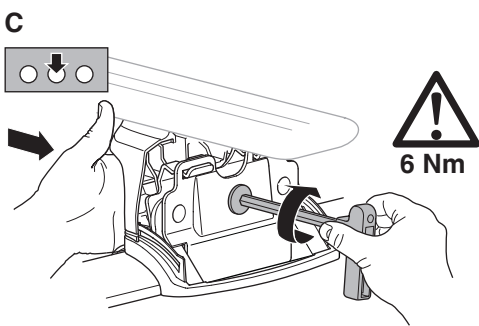
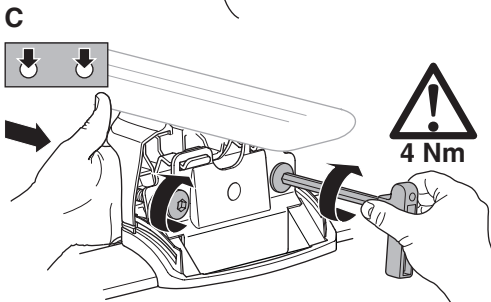
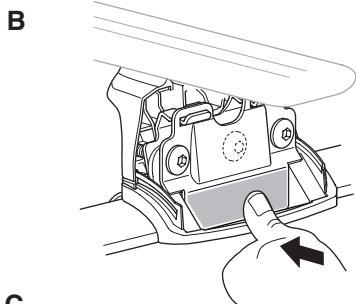
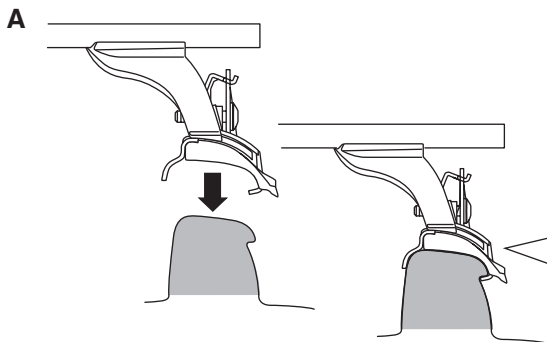
A diagram showing a warning triangle icon, a "security" icon with a padlock, and two "instructions" manuals. On the right, a silhouette of a person is shown reading a manual.



1

- | | | | |
|-------------------------------------|-------------------------------------|----------------------------------|---------------------------|
| EN Only a few turns | ET Ainult mõni pööre | RO Doar câteva rotiri | AR بعض دورات فقط |
| DE Nur wenige Umdrehungen | LV Tikai dažī apgriezieni | HU Csak néhány fordítás | HE רק מספר סיבובים |
| FR Quelques tours uniquement | LT Tik keli pasukimai | EL Μόνο λίγες περιστροφές | |
| NL Slechts enkele slagen | PL Wystarczy kilka obrotów | TR Yalnızca birkaç tur | |
| IT Solo qualche giro | RU Только несколько оборотов | | |
| ES Sólo algunas vueltas | UK Лише декілька обертів | | |
| PT Noções básicas | BG Само няколко завъртания | ZH 仅几圈 | |
| SV Endast några varv | CS Pouze několik otáček | JA 2~3回転のみ | |
| DK Kun nogle få omgange | SK Len niekoľko otáčok | KO 몇 번만 돌리면 됨 | |
| NE Bare noen få omdreininger | SL Le nekaj obratov | TH เพียงสองสามรอบ | |
| FI Vain muutama kierros | HR/BIH Samo nekoliko okreta | | |





- EN Tighten alternately
- DE Die Schrauben abwechselnd anziehen
- FR Serrer alternativement chaque côté
- NL Afwisselend aan de linker- en de rechterkant aandraaien
- IT Alternare il serraggio delle viti
- ES Apretar alternativamente
- PT Aperte alternadamente
- SV Dra åt växelvis
- DK Spænd skiftevis
- NE Trekk til vekselvis
- FI Kierrä vuorotellen
- ET Pinguldage vaheldumisi
- LV Pievelciēt pamišus
- LT Užsukinėkite pakaitomis
- PL Śruby dokręcaj naprzemiennie
- RU Затягивайте попеременно
- UK Затягти по чергово
- BG Затегнете последователно
- CS Pokrčteľa bagožníka dokrčejaj dokrčejaj naprzemiennie.
- SK Dofahujte striedavo
- SL Privijajte izmenično.
- HR/BIH Naizmjenično zategnite
- RO Strângeți alternativ
- HU Egymástól függetlenül szorítandó
- EL Σφιγγετε εναλλάξ
- TR Dönüşümlü sıkın

إحكام الربط بالتناوب **AR**
זקוק לסירוגין **HE**

- ZH 交替拧紧
- JA 自動固定
- KO 번갈아 조이기
- TH สลับขันนอต

