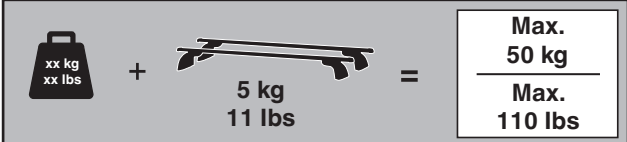


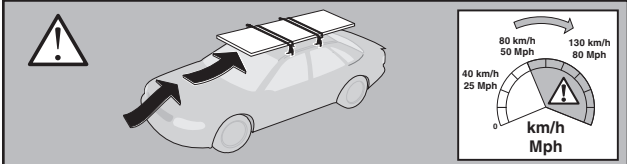
Rapid System Kit 4005

SUBARU Forester, 5-dr SUV, 03-07

This kit is only for vehicles with flush or integrated side railing.



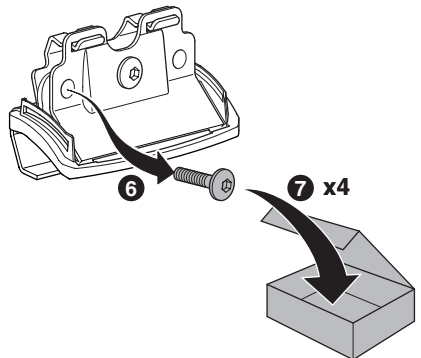
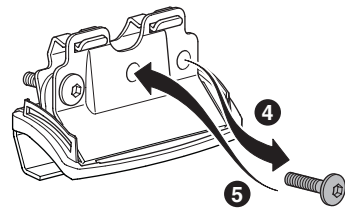
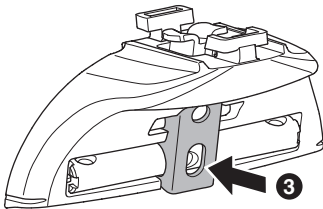
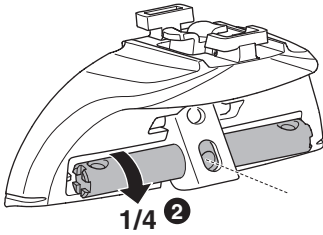
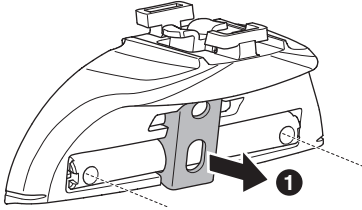
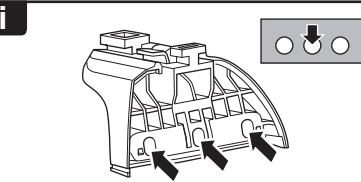
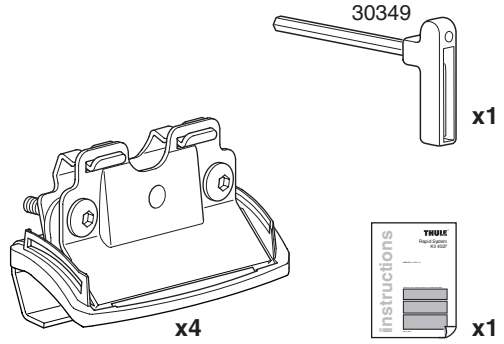
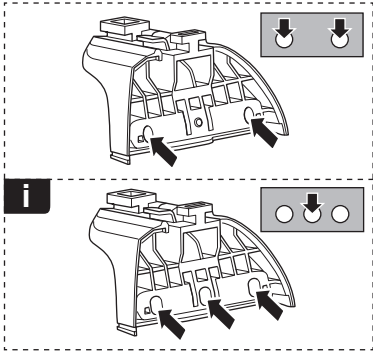
A diagram showing a weight limit calculation. On the left, a weight icon is labeled "xx kg" and "xx lbs". This is followed by a plus sign, a roof rack icon labeled "5 kg" and "11 lbs", and an equals sign. To the right, a box contains "Max. 50 kg" and "Max. 110 lbs".



A diagram showing a car with a roof rack. A warning triangle icon is on the left. Arrows point to the front and side of the roof rack. On the right, a speedometer diagram shows a warning triangle between 80 km/h (50 Mph) and 130 km/h (80 Mph), with 40 km/h (25 Mph) marked below.



A diagram showing a warning triangle icon, a "security" icon with a padlock, and two "instructions" manuals. On the right, a silhouette of a person is shown reading a manual.



1

EN Only a few turns
 DE Nur wenige Umdrehungen
 FR Quelques tours uniquement
 NL Slechts enkele slagen
 IT Solo qualche giro
 ES Sólo algunas vueltas
 PT Noções básicas
 SV Endast några varv
 DK Kun nogle få omdrejninger
 NE Bare noen få omdreininger
 FI Vain muutama kierros

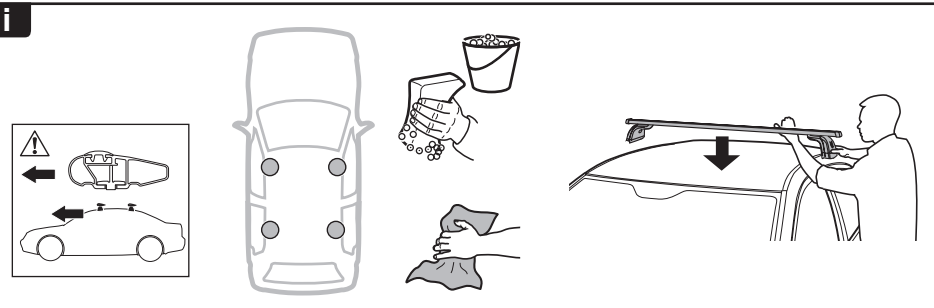
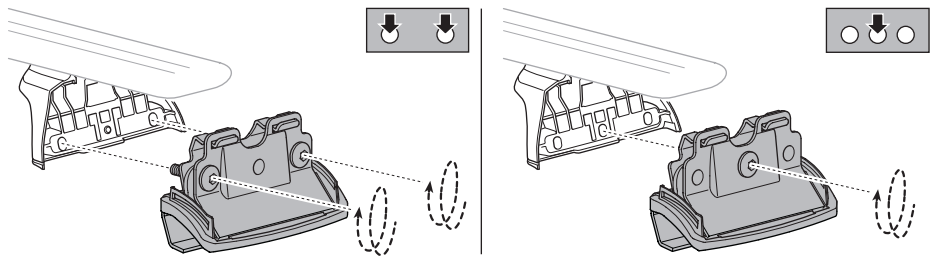
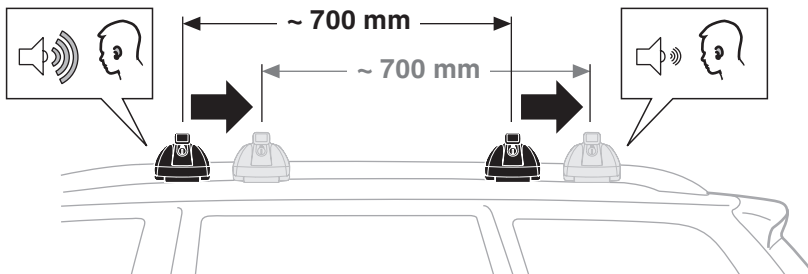
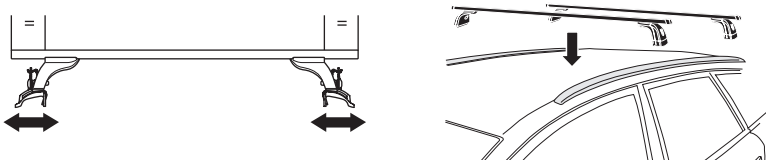
ET Ainult mõni pööre
 LV Tikai dažī apgriezieni
 LT Tik keli pasukimai
 PL Wystarczy kilka obrotów
 RU Только несколько оборотов
 UK Лише декілька обертів
 BG Само няколко завъртания
 CS Pouze několik otáček
 SK Len niekoľko otáčok
 SL Le nekaj obratov
 HR/BIH Samo nekoliko okreta

RO Doar câteva rotiri
 HU Csak néhány fordítás
 EL Μόνο λίγες περιστροφές
 TR Yalnızca birkaç tur

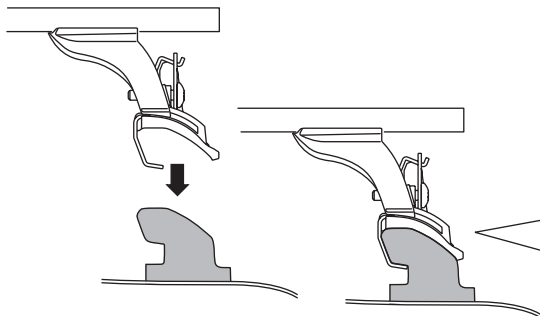
بعض دورات فقط
 רק מספר סיבובים

AR
 HE

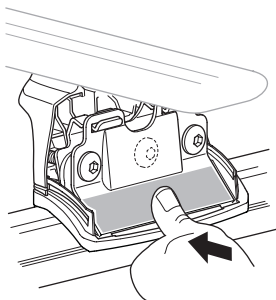
ZH 仅几圈
 JA 2~3回転のみ
 KO 몇 번만 돌리면 됨
 TH เพียงสองสามรอบ

**2**

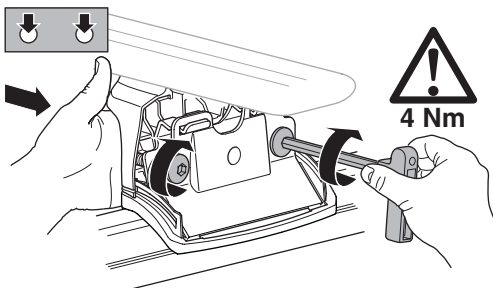
A



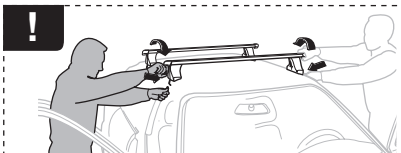
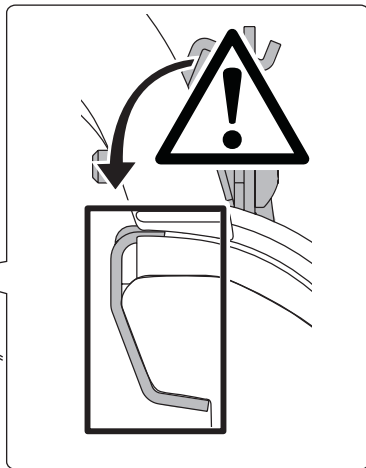
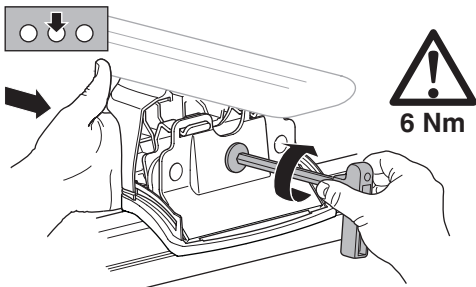
B



C



C



- EN Tighten alternately
- DE Die Schrauben abwechselnd anziehen
- FR Serrer alternativement chaque côté
- NL Afwisselend aan de linker- en de rechterkant aandraaien
- IT Alternare il serraggio delle viti
- ES Apretar alternativamente
- PT Aperte alternadamente
- SV Dra åt växelvis
- DK Spænd skiftevis
- NE Trekk til vekselvis
- FI Kierrä vuorotellen
- ET Pinguldage vaheldumisi
- LV Pievelciēt pamišus
- LT Užsukinėkite pakaitomis
- PL Śruby dokręcaj naprzemiennie
- RU Затягивайте попеременно
- UK Затягти по чергово
- BG Затягнете последователно
- CS Pokręťta bagażnika dokręcaj dokręcaj naprzemiennie.
- SK Dofahujte striedavo
- SL Privijajte izmenično.
- HR/BIH Naizmjenično zategnite
- RO Strângeți alternativ
- HU Egymástól függetlenül szorítandó
- EL Σφιγγετε εναλλάξ
- TR Dönüşümlü sıkın

إحكام الربيط بالتناوب **AR**
זקוק לסירוקן **HE**

- ZH 交替拧紧
- JA 自動固定
- KO 번갈아 조이기
- TH สลับหมุนสลับ

