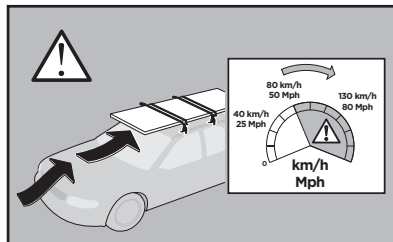
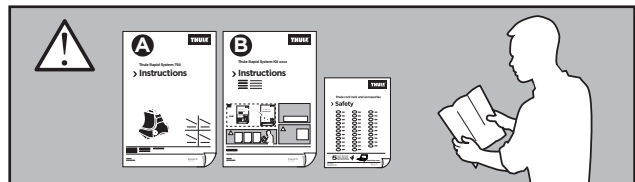
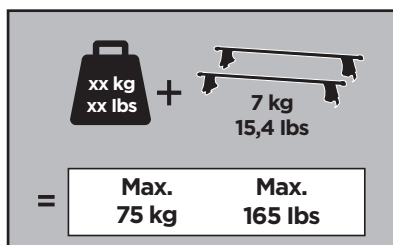
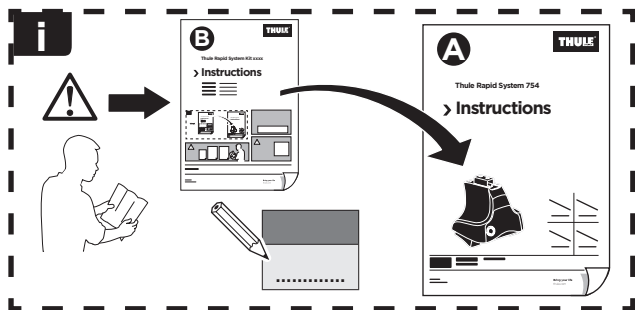




Thule Rapid System Kit 1783

> Instructions

CHEVROLET Colorado, 4-dr Crew Cab, 15-
CHEVROLET S10, 4-dr Double Cab, 12-
GMC Canyon, 4-dr Crew Cab, 15-
HOLDEN Colorado, 4-dr Double Cab, 12-
ISUZU D-Max, 4-dr Crew Cab, 12-



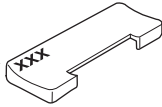
ISO 11154-E

141783
C.20150310
519-1783-01

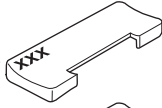
Bring your life
thule.com



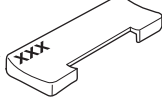
390 x2



391 x1

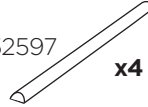


392 x1



1234 x4

52597



x4



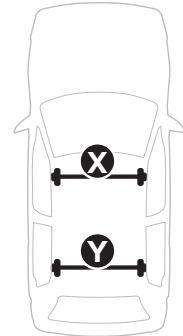
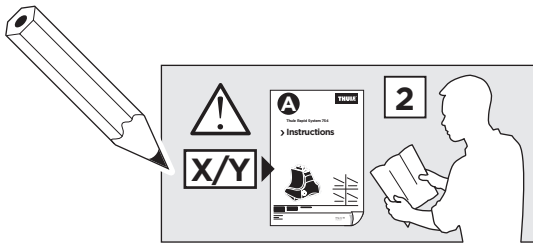
x1



x1

1

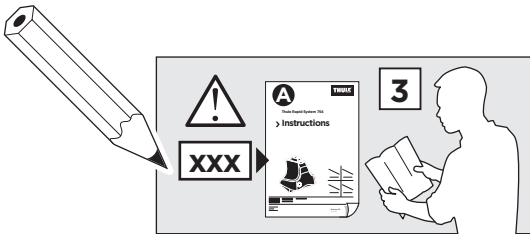
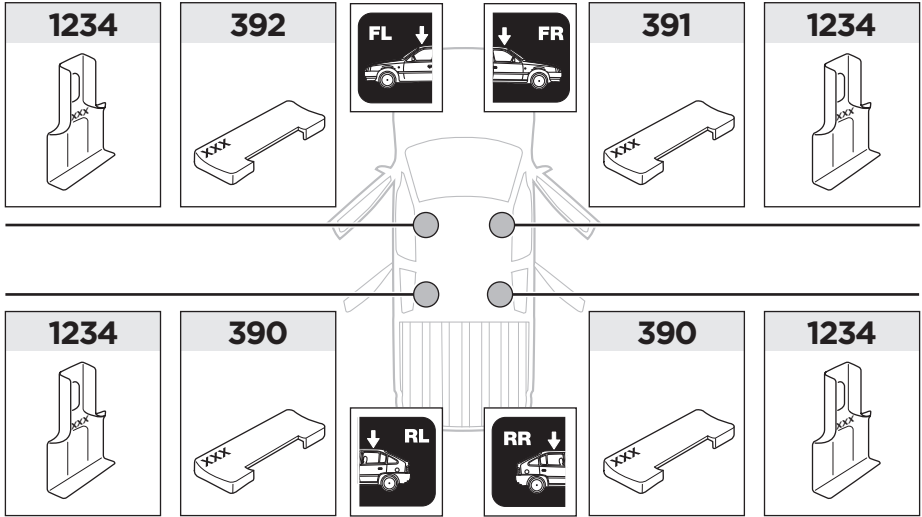
	X (scale)	X (mm)	X (inch)
CHEVROLET Colorado , 4-dr Crew Cab, 15-	38	1031	40 ⁵ / ₈
CHEVROLET S10 , 4-dr Double Cab, 12-	38	1031	40 ⁵ / ₈
GMC Canyon , 4-dr Crew Cab, 15-	38	1031	40 ⁵ / ₈
HOLDEN Colorado , 4-dr Double Cab, 12-	38	1031	40 ⁵ / ₈
ISUZU D-Max , 4-dr Crew Cab, 12-	38	1031	40 ⁵ / ₈



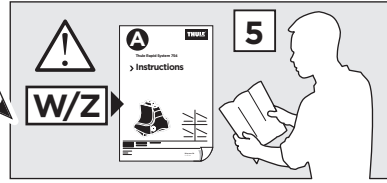
	Y (scale)	Y (mm)	Y (inch)
CHEVROLET Colorado , 4-dr Crew Cab, 15-	35.5	1006	39 ⁵ / ₈
CHEVROLET S10 , 4-dr Double Cab, 12-	35.5	1006	39 ⁵ / ₈
GMC Canyon , 4-dr Crew Cab, 15-	35.5	1006	39 ⁵ / ₈
HOLDEN Colorado , 4-dr Double Cab, 12-	35.5	1006	39 ⁵ / ₈
ISUZU D-Max , 4-dr Crew Cab, 12-	35.5	1006	39 ⁵ / ₈

2

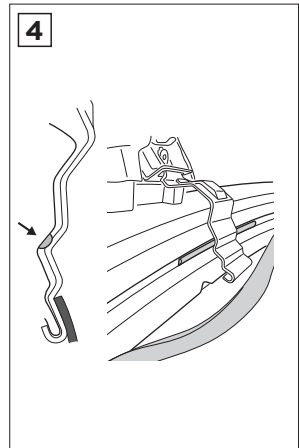
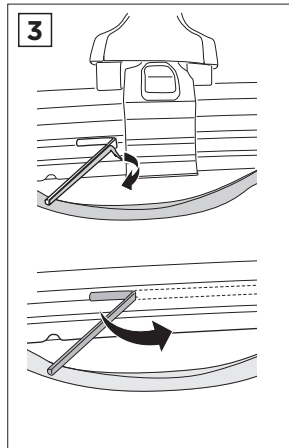
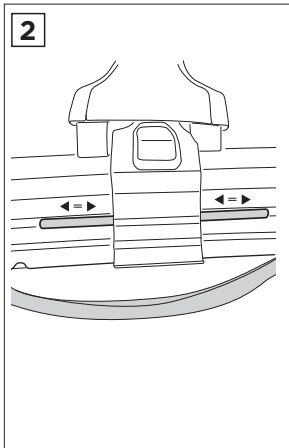
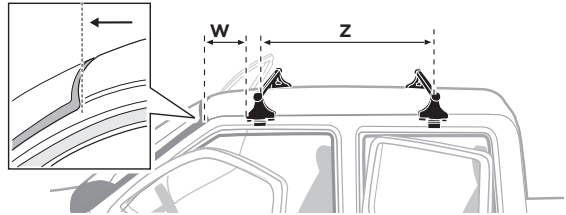
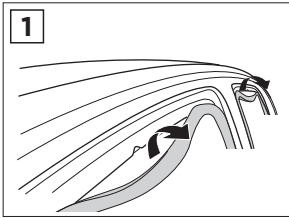
CHEVROLET Colorado, 4-dr Crew Cab, 15-
CHEVROLET S10, 4-dr Double Cab, 12-
GMC Canyon, 4-dr Crew Cab, 15-
HOLDEN Colorado, 4-dr Double Cab, 12-
ISUZU D-Max, 4-dr Crew Cab, 12-



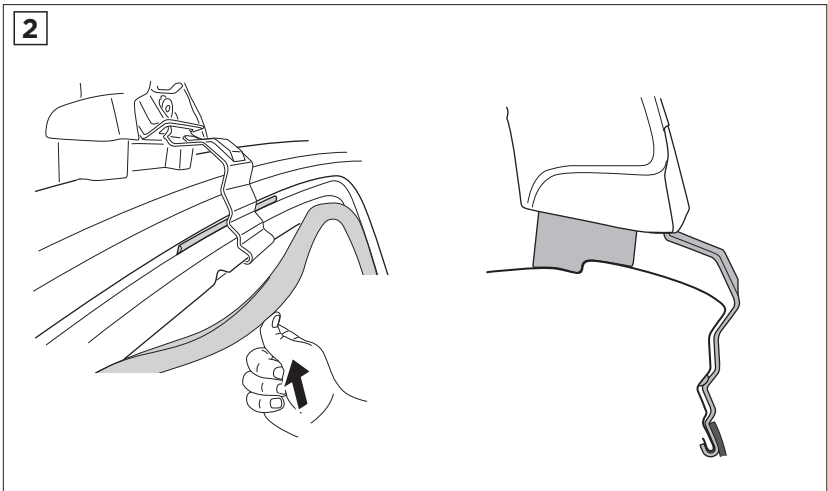
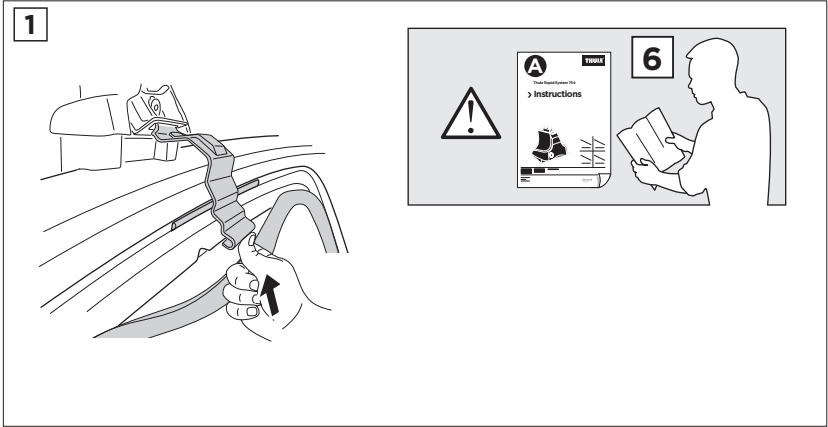
3



	W (mm)	Z (mm)	W (inch)	Z (inch)
CHEVROLET Colorado , 4-dr Crew Cab, 15-	250	700	9 7/8	27 1/4
CHEVROLET S10 , 4-dr Double Cab, 12-	250	700	9 7/8	27 1/4
GMC Canyon , 4-dr Crew Cab, 15-	250	700	9 7/8	27 1/4
HOLDEN Colorado , 4-dr Double Cab, 12-	250	700	9 7/8	27 1/4
ISUZU D-Max , 4-dr Crew Cab, 12-	250	700	9 7/8	27 1/4



4



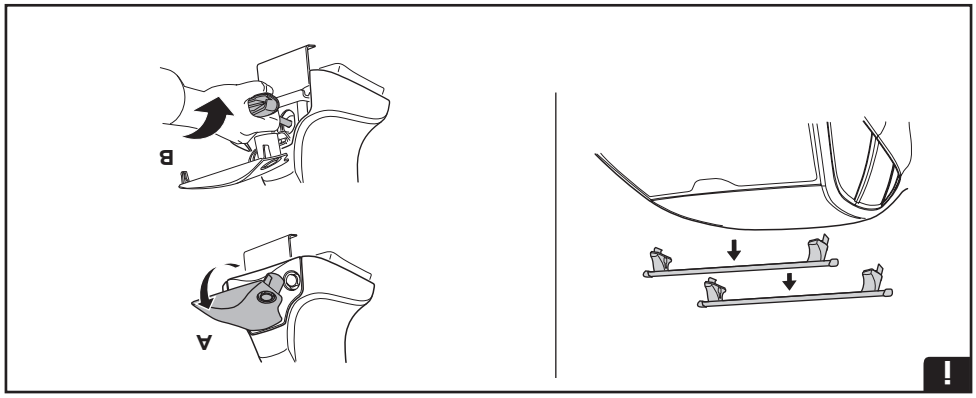
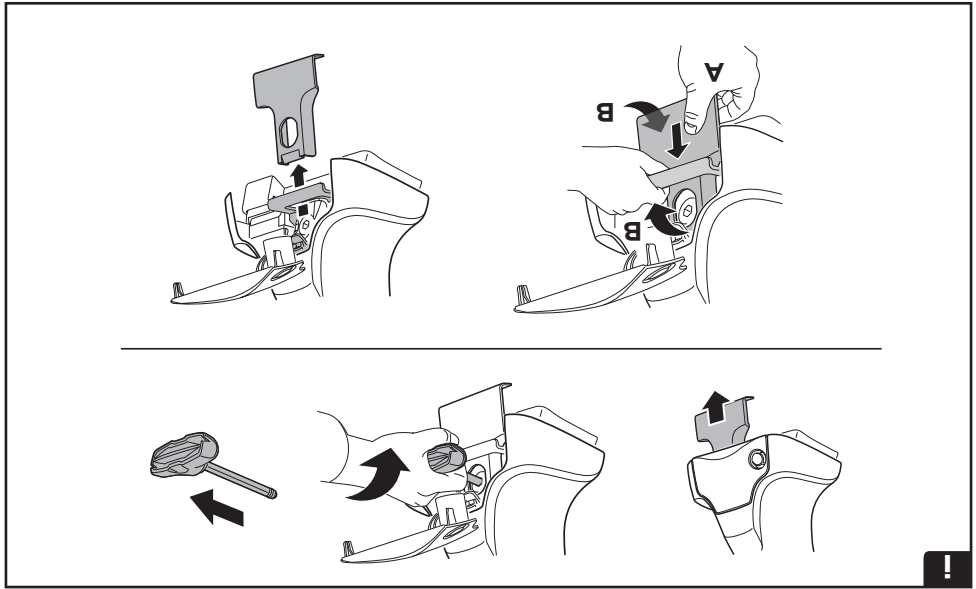
Thule Sweden AB, Box 69, 330 33 Hillerstorp, SWEDEN
Thule Inc., 42 Silvermine Road, Seymour, Connecticut 06483, USA

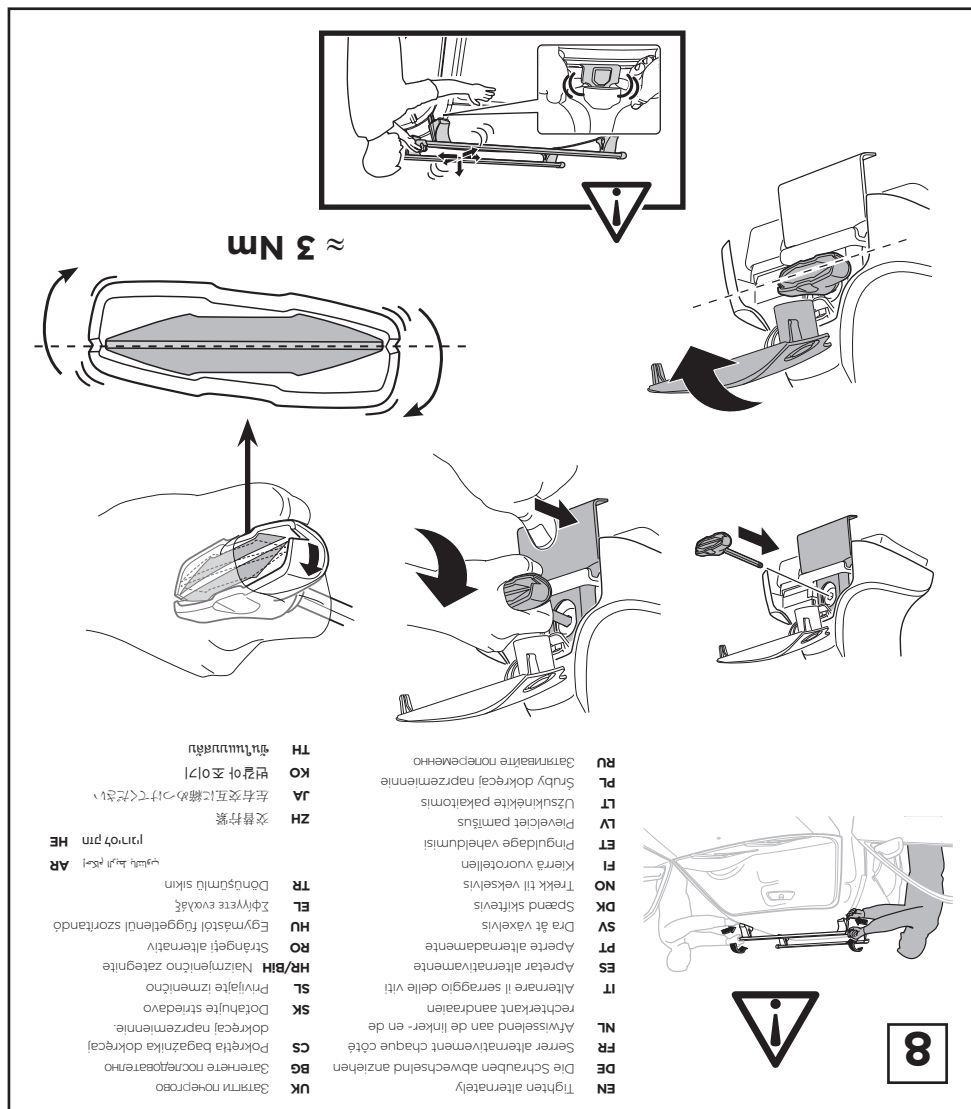
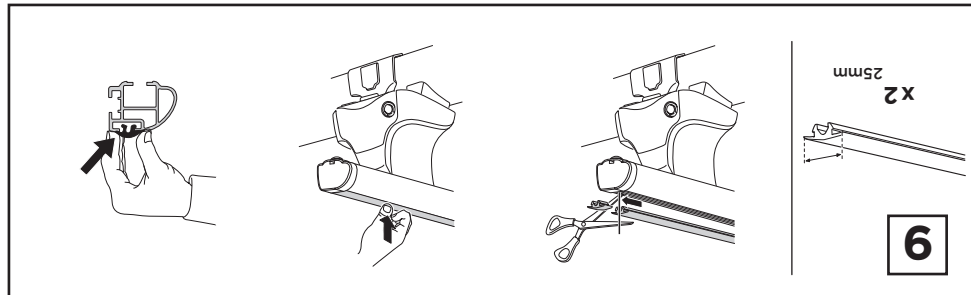
info@thule.com
Phone: 800-238-2388

 www.thule.com

» PART OF THULE GROUP

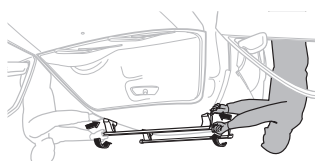
© Thule Group 2015. All rights reserved.



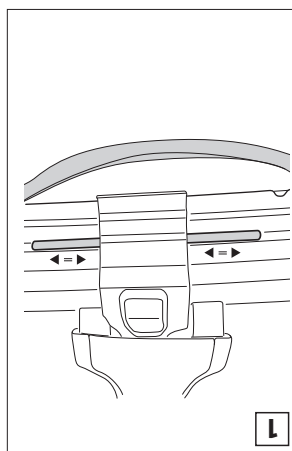
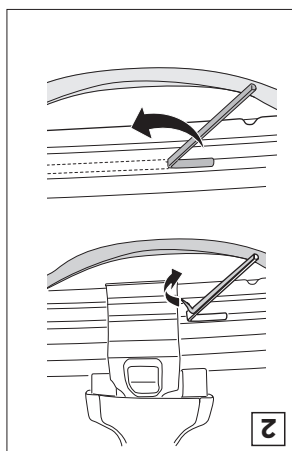
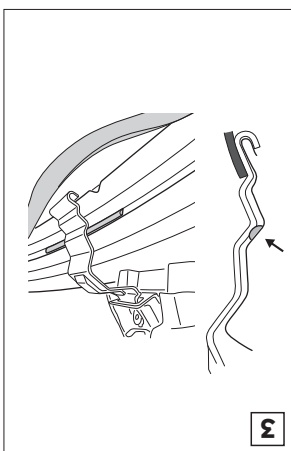
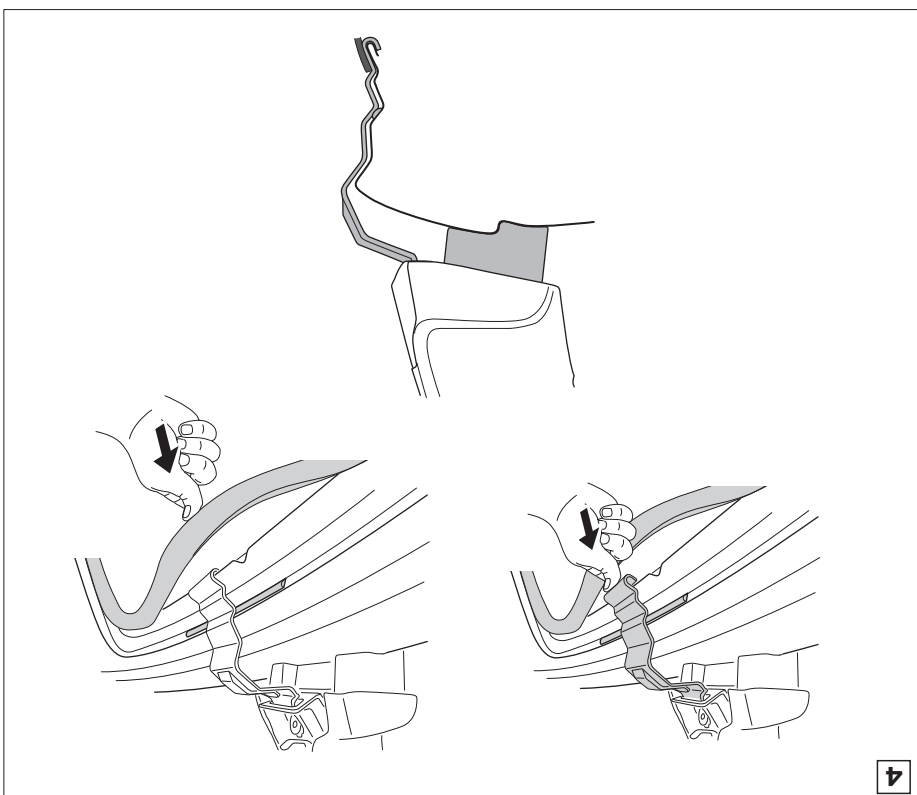


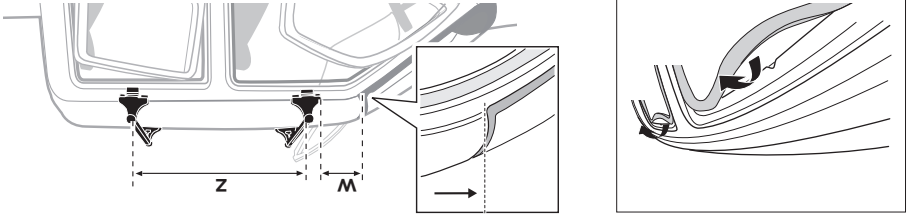
- UK Заміняти нащеплювач
- BG Замениете нащеплювача
- FR Serrer alternativement chaque côté
- NL Afwisselend aan de linker- en de rechterkant aandraaien
- IT Alternare il serraggio delle viti
- ES Aprete alternativamente
- PT Aperte alternadamente
- SV Dra åt växelvis
- DK Spænd skiftevis
- NO Trekk til vekselvis
- FI Kierä vuorotellen
- ET Pinguldage vaheldumisi!
- LV Pieveiciet pamīsus
- LT Užsukinkite pakaitomis
- PL Srdub dokrecal naprzemiennie
- RU Заменяйте попеременно
- TH วนไขน็อต
- KO 너트 하나씩
- JA 左右交互に締め-つけください
- ZH 交替拧紧
- HE פרוטגן במחלף
- AR ٲرفٲر بٲر
- TR Dönüşümü sikin
- EL 2φλυγτε εναλλάξ
- HU Egyarástól függetlenül szorítandó
- RO Strângeți alternativ
- HR/BIH Naizmjenično zategnite
- SK Dotáňujte striedavo
- SL Privijajte izmenično

- EN Tighten alternately
- DE Die Schrauben abwechselnd anziehen
- FR Serrer alternativement chaque côté
- NL Afwisselend aan de linker- en de rechterkant aandraaien
- IT Alternare il serraggio delle viti
- ES Aprete alternativamente
- PT Aperte alternadamente
- SV Dra åt växelvis
- DK Spænd skiftevis
- NO Trekk til vekselvis
- FI Kierä vuorotellen
- ET Pinguldage vaheldumisi!
- LV Pieveiciet pamīsus
- LT Užsukinkite pakaitomis
- PL Srdub dokrecal naprzemiennie
- RU Заменяйте попеременно

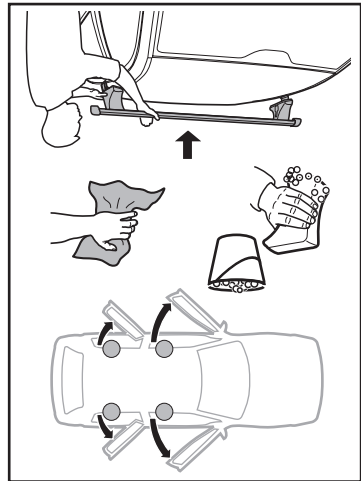
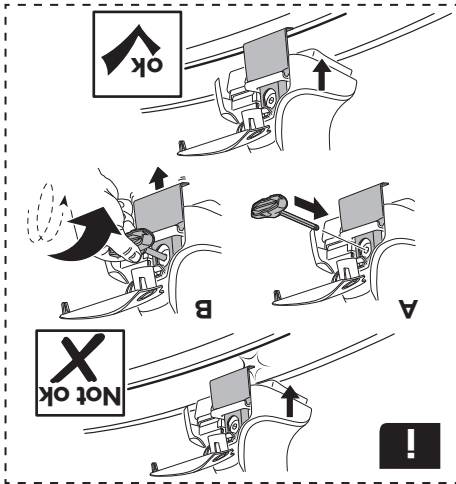


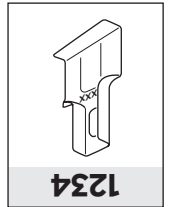
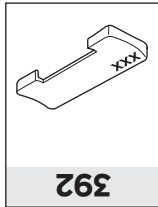
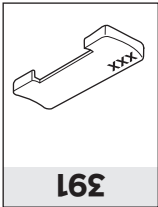
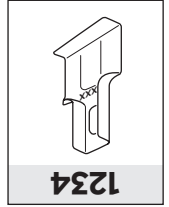
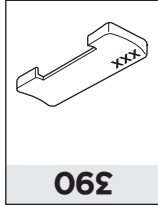
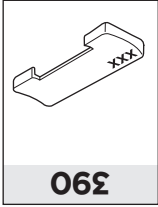
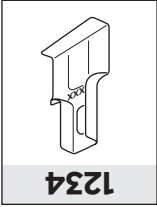
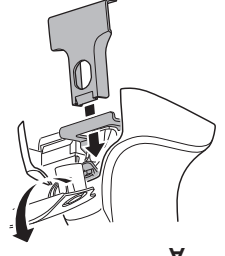
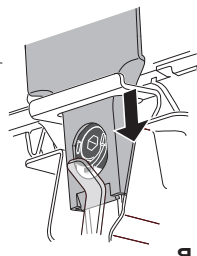
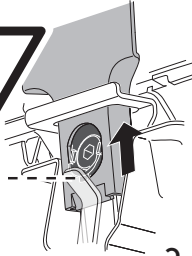
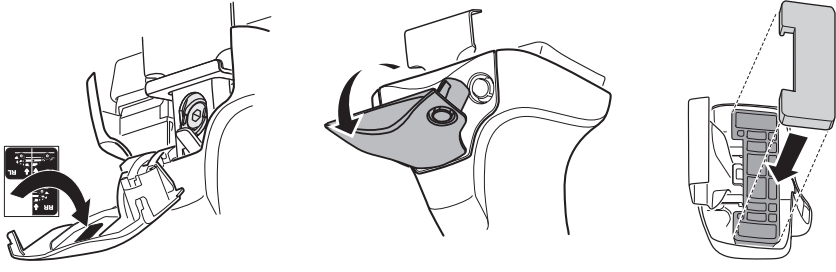
8



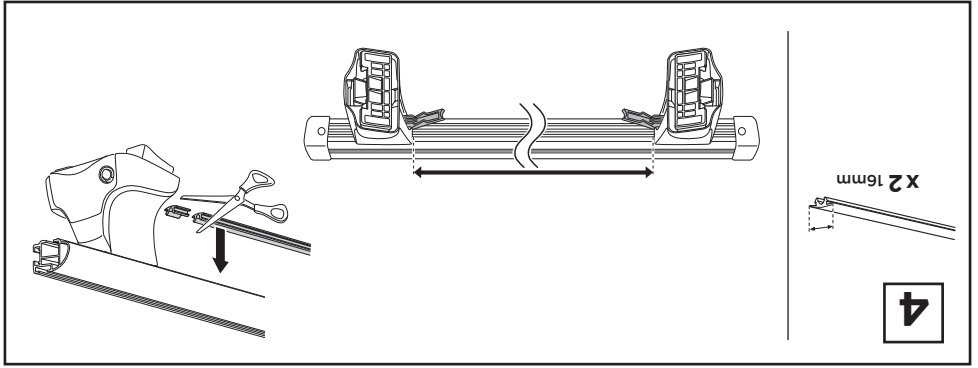


	X mm	Y mm	X inch	Y inch
CHEVROLET Colorado, 4-dr Crew Cab, 15-	250 mm	700 mm	9 7/8"	27 1/2"
CHEVROLET S10, 4-dr Double Cab, 12-	250 mm	700 mm	9 7/8"	27 1/2"
GMC Canyon, 4-dr Crew Cab, 15-	250 mm	700 mm	9 7/8"	27 1/2"
HOLDEN Colorado, 4-dr Double Cab, 12-	250 mm	700 mm	9 7/8"	27 1/2"
ISUZU D-Max, 4-dr Crew Cab, 12-	250 mm	700 mm	9 7/8"	27 1/2"





- CHEVROLET Colorado, 4-dr Crew Cab, 15-
- CHEVROLET S10, 4-dr Double Cab, 12-
- GMC Canyon, 4-dr Crew Cab, 15-
- HOLDEN Colorado, 4-dr Double Cab, 12-
- ISUZU D-Max, 4-dr Crew Cab, 12-

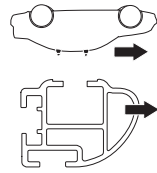
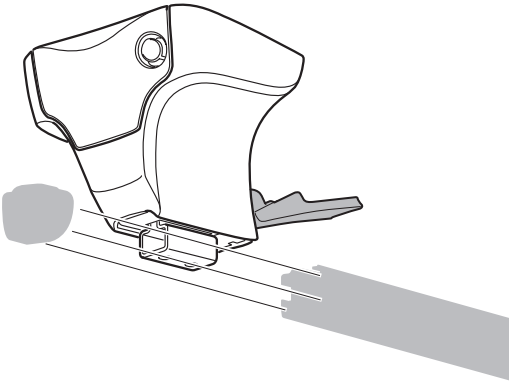
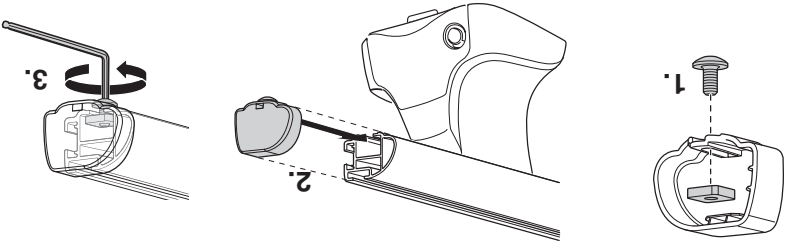


1006	35,5	ISUZU D-Max, 4-dr Crew Cab, 12-
1006	35,5	HOLDEN Colorado, 4-dr Double Cab, 12-
1006	35,5	GMC Canyon, 4-dr Crew Cab, 15-
1006	35,5	CHEVROLET S10, 4-dr Double Cab, 12-
1006	35,5	CHEVROLET Colorado, 4-dr Crew Cab, 15-

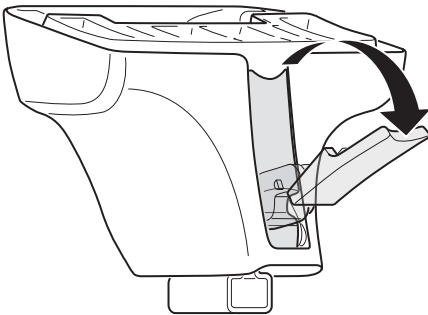
Y inch Y mm

1031	38	ISUZU D-Max, 4-dr Crew Cab, 12-
1031	38	HOLDEN Colorado, 4-dr Double Cab, 12-
1031	38	GMC Canyon, 4-dr Crew Cab, 15-
1031	38	CHEVROLET S10, 4-dr Double Cab, 12-
1031	38	CHEVROLET Colorado, 4-dr Crew Cab, 15-

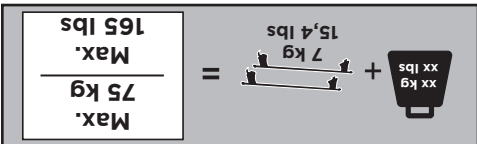
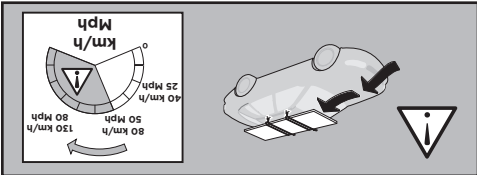
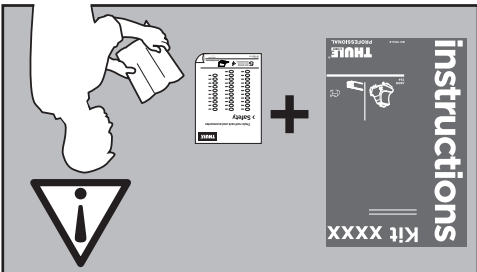
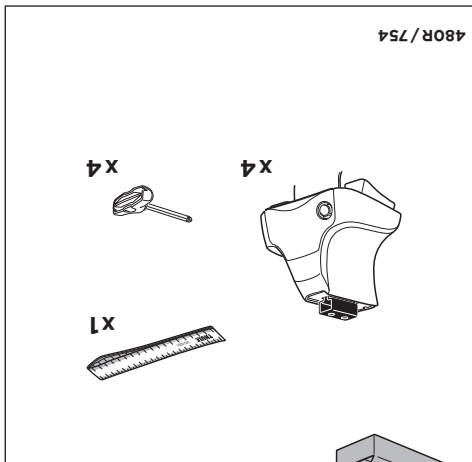
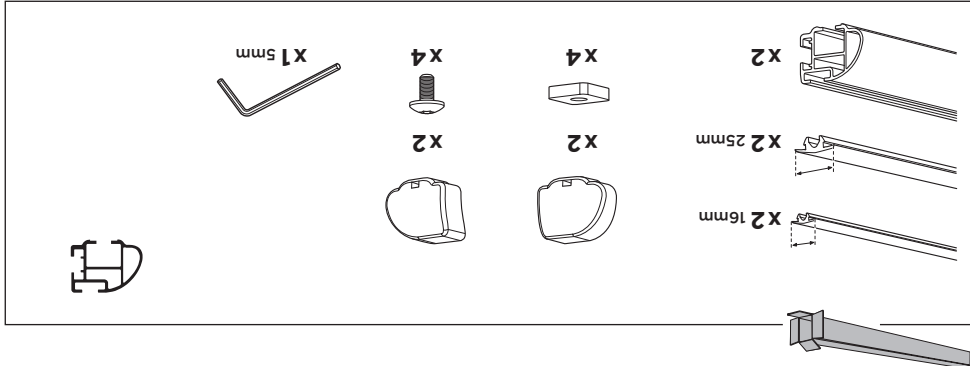
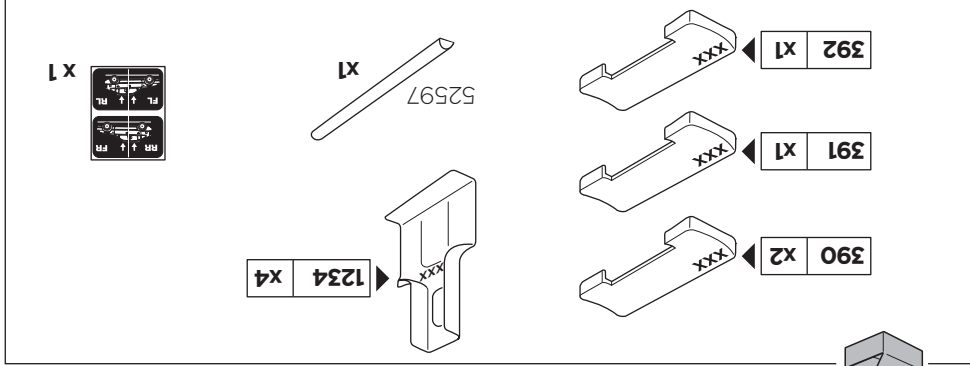
X inch X mm



2



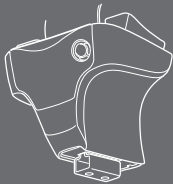
1



instructions

Kit 1783

CHEVROLET Colorado, 4-dr Crew Cab, 15-
CHEVROLET S10, 4-dr Double Cab, 12-
GMC Canyon, 4-dr Crew Cab, 15-
HOLDEN Colorado, 4-dr Double Cab, 12-
ISUZU D-Max, 4-dr Crew Cab, 12-



480R
754



PROFESSIONAL

ISO 11154-E

THULE
SWEDEN