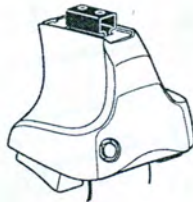
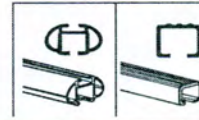


Kit 1688

ISUZU D-Max, 4-dr Crew Cab, 12-



754 Rapid System
480R Rapid Traverse (North America)



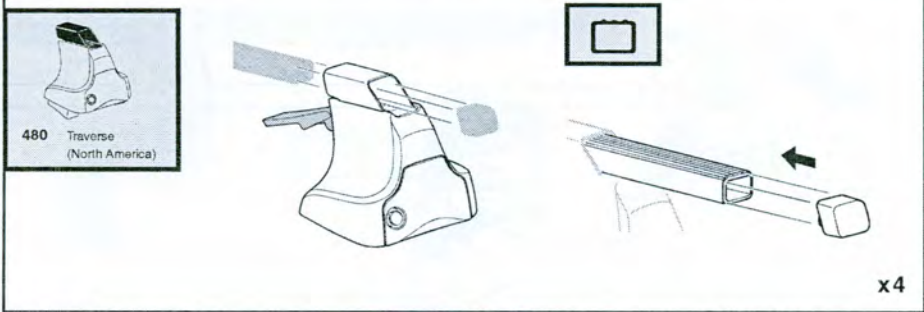
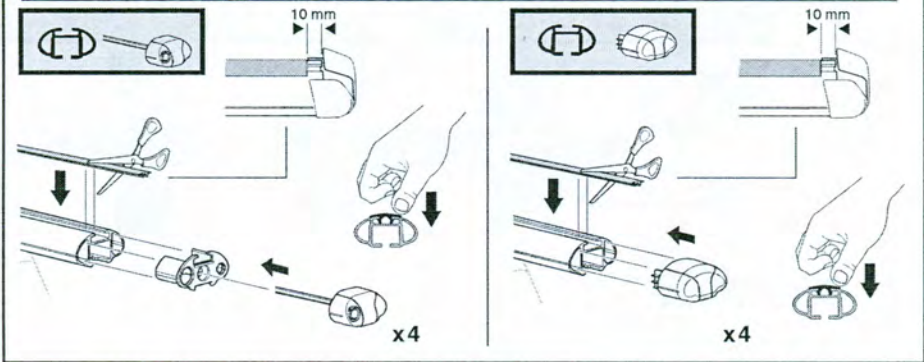
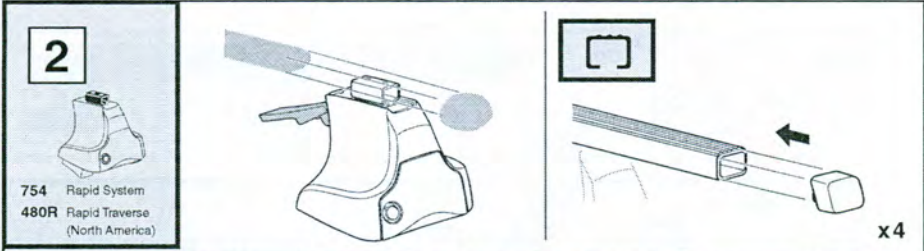
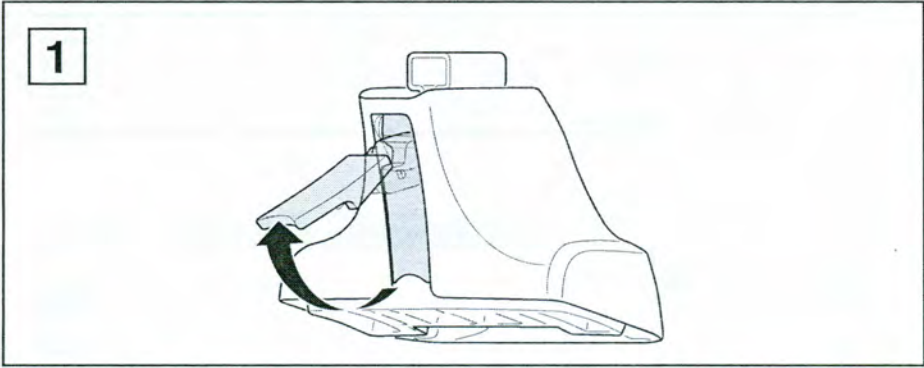
480 Traverse (North America)



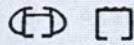
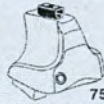
- 754 Rapid System
- 480R Rapid Traverse (North America)
- 754 Rapid System
- 480R Rapid Traverse (North America)
- 480 Traverse (North America)

- 754 Rapid System
- 480R Rapid Traverse (North America)
- 480 Traverse (North America)

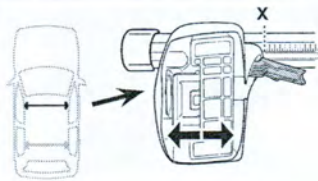
- 754 Rapid System
- 480R Rapid Traverse (North America)
- 480 Traverse (North America)



3



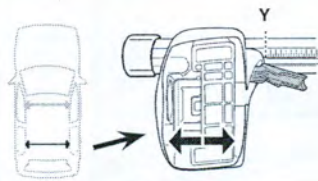
754 Rapid System



ISUZU D-Max, 4-dr Crew Cab, 12-

X

38



ISUZU D-Max, 4-dr Crew Cab, 12-

Y

35,5

3



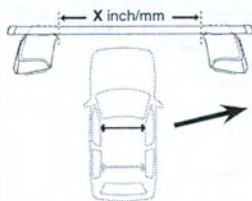
480R Rapid Traverse



480 Traverse



(North America)



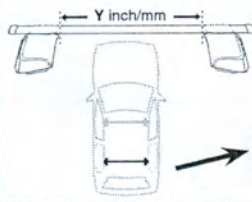
ISUZU D-Max, 4-dr Crew Cab, 12-

X inch

X mm

40 5/8"

1031 mm



ISUZU D-Max, 4-dr Crew Cab, 12-

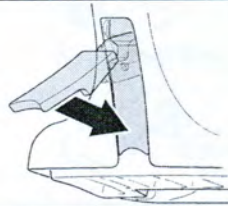
Y inch

Y mm

39 5/8"

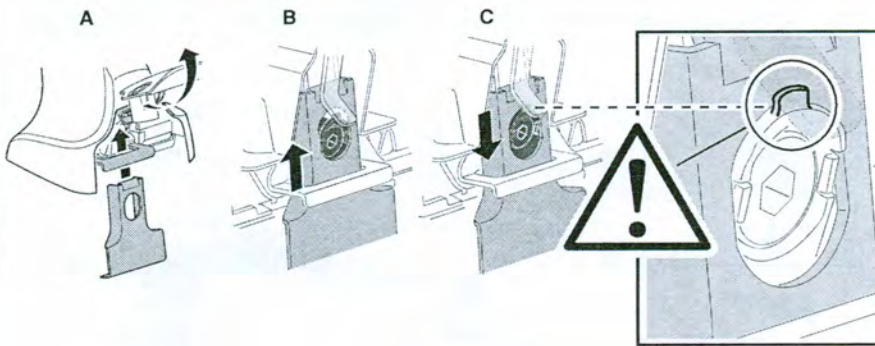
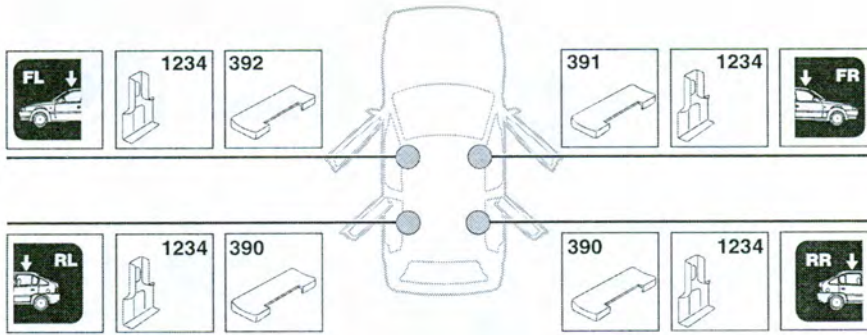
1006 mm

4

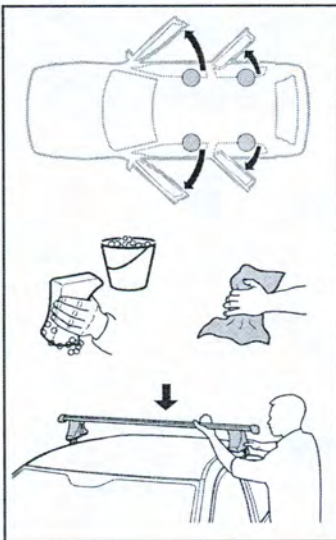


5

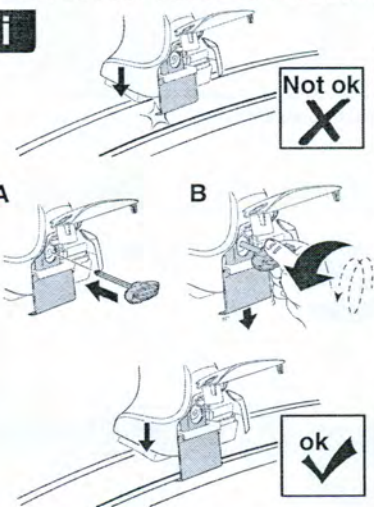
ISUZU D-Max, 4-dr Crew Cab, 12-



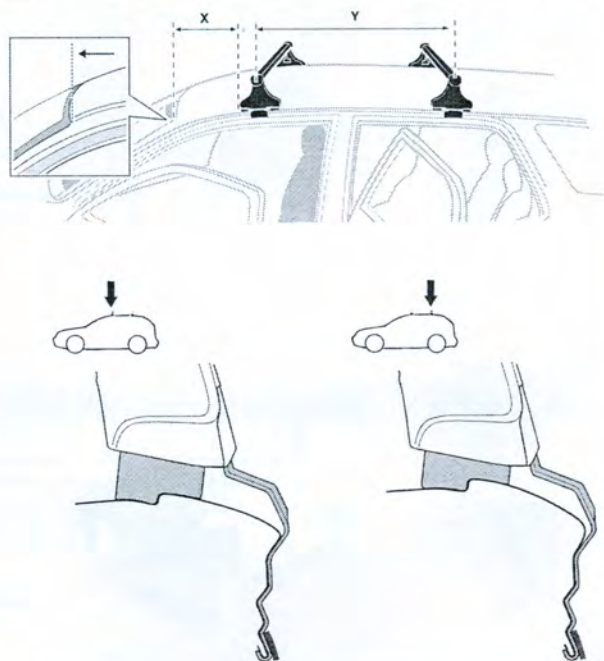
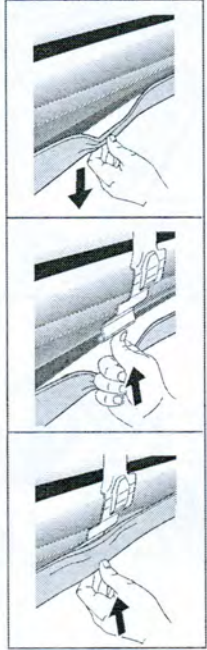
6



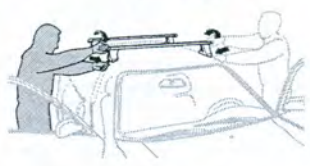
i



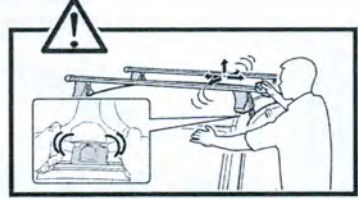
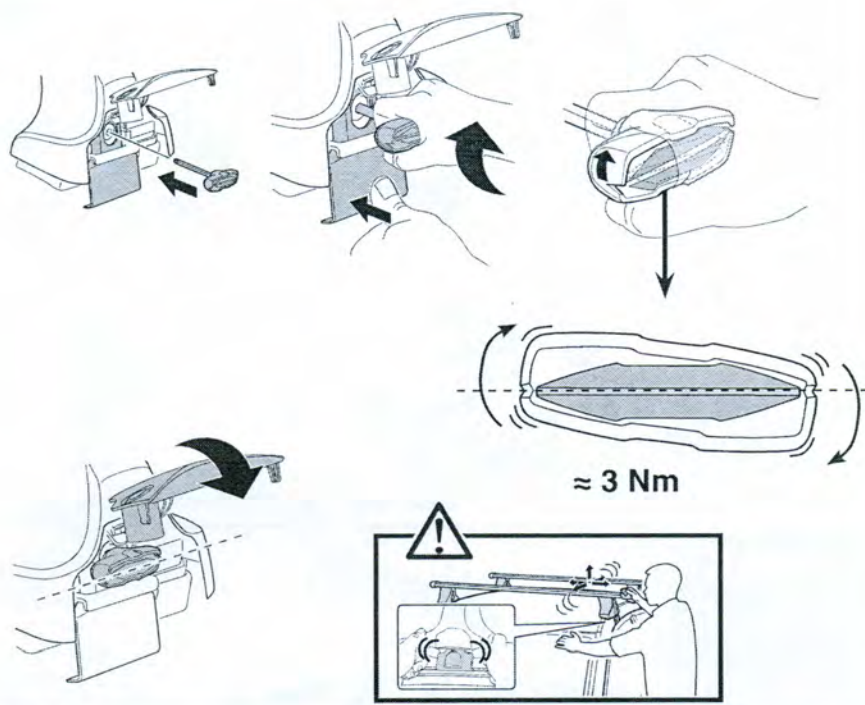
	X mm	Y mm	X inch	Y inch
ISUZU D-Max, 4-dr Crew Cab, 12-	250 mm	700 mm	9 7/8"	27 1/2"



7



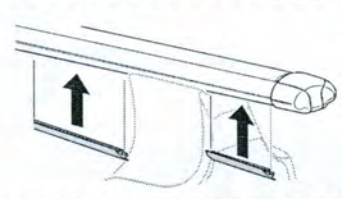
- | | | | |
|--------------|---|------------|---|
| GB/US | Tighten alternately | CZ | Pokrétla багаžníka dokręcaj dokręcaj naprzemiennie. |
| D | Die Schrauben abwechselnd anziehen | SK | Dofaňujte striedavo |
| F | Serrer alternativement chaque côté | SLO | Privijajte izmenično. |
| NL | Afwisselend aan de linker- en de rechterkant aandraaien | HR | Naizmjenično zategnite |
| I | Alternare il serraggio delle viti | HU | Egy mástól függetlenül szorítandó |
| E | Apretar alternativamente | GR | Σφιγγετε εναλλάξ |
| PT | Aprete alternadamente | TR | Dönüşümlü sıkın |
| S | Dra åt växelvis | 中文 | 交替拧紧 |
| FIN | Kierrä vuorotellen | 한국어 | 번갈아 가며 조이십시오. |
| EST | Pinguldage vaheldumisi | 日本語 | 交互に締め付けてください。 |
| LAT | Pīvelciēt pamīšus | ไทย | ขันในแบบสลับ |
| LIT | Užsukinėkite pakaitomis | | |
| PL | Śruby dokręcaj naprzemiennie | | |
| RU | Затягивайте попеременно | | |



8

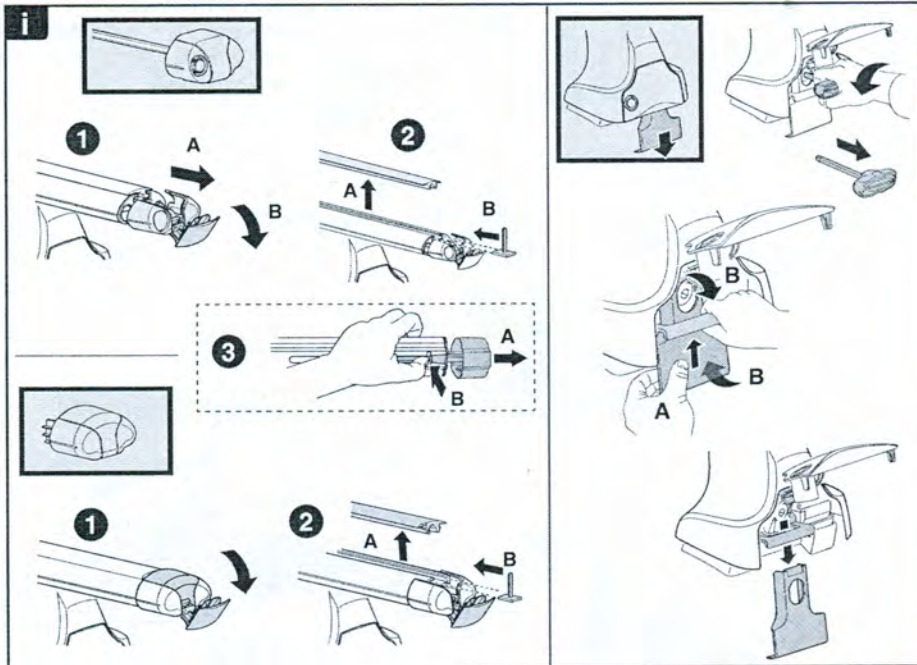
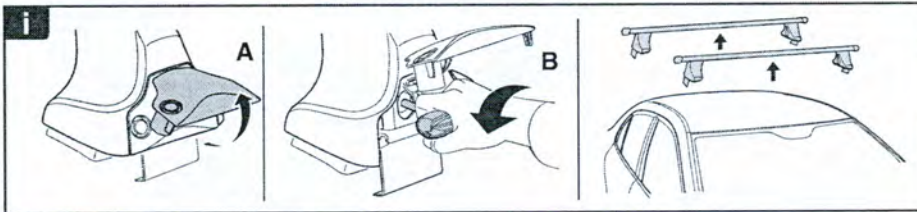


x1
17 mm



503-1688-01

7



THULE
SWEDEN

**ONE
KEY
SYSTEM**

544 (x4)

596 (x6)

588 (x8)

NA 510 (x10)

EUR 452 (x12)

ASIA

WW ▶ Thule Sweden AB, Box 69, 330 33 Hillerstorp, SWEDEN
 NA ▶ Thule Inc., 42 Silvermine Road, Seymour, Connecticut 06483, USA

info@thule.com
 customer.service@thule.com

www.thule.com

503-1688-01