

# 1

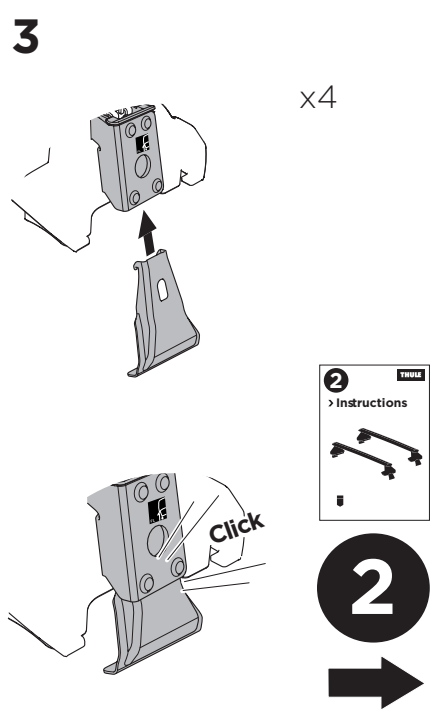
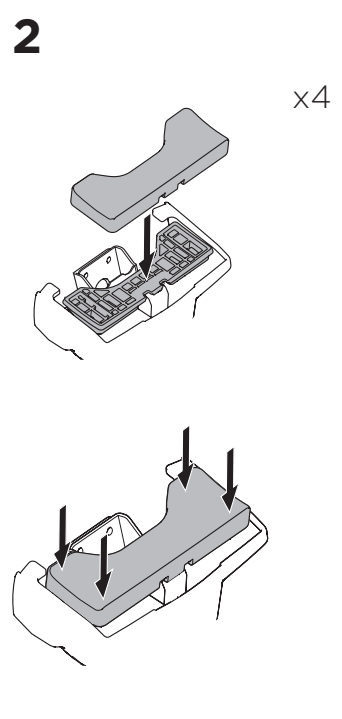
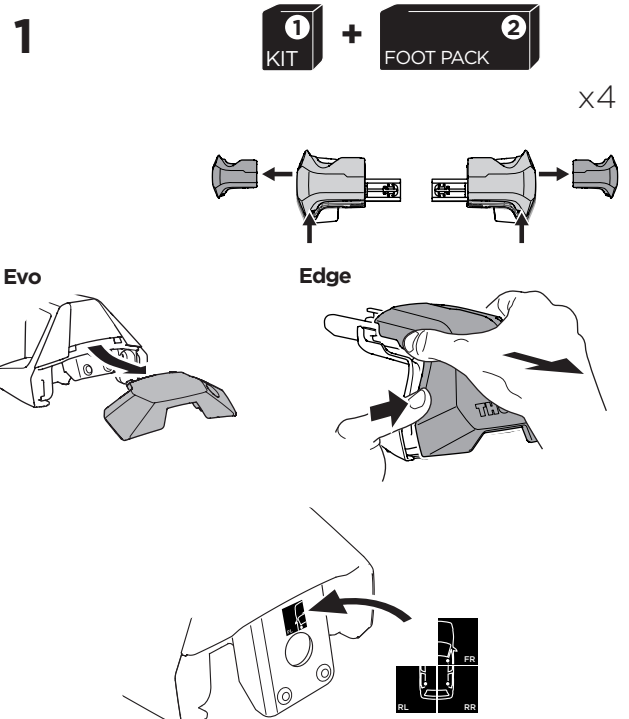
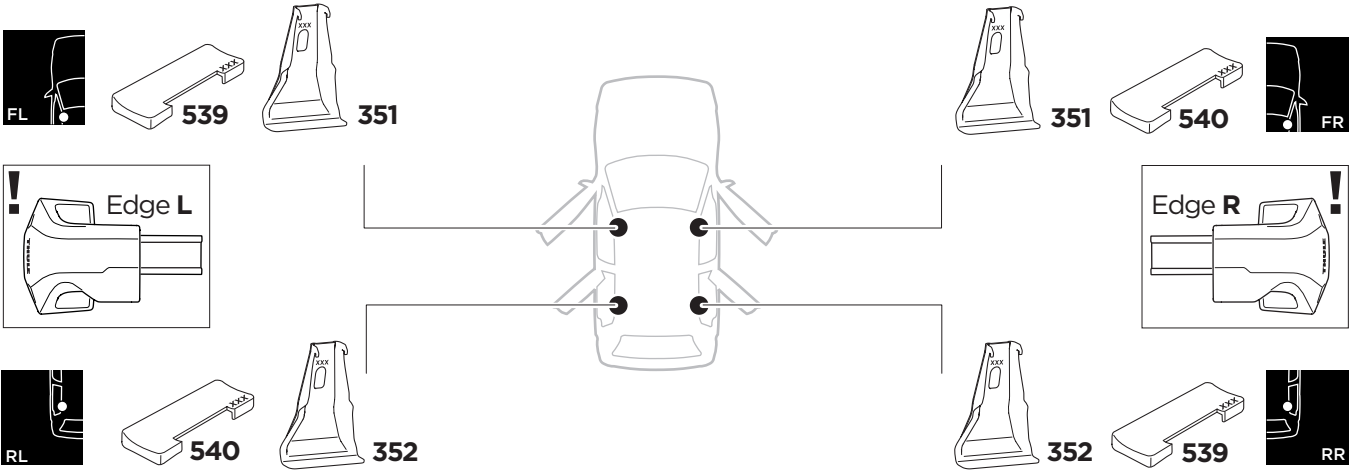
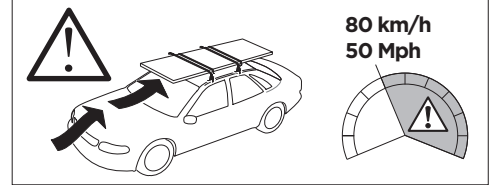
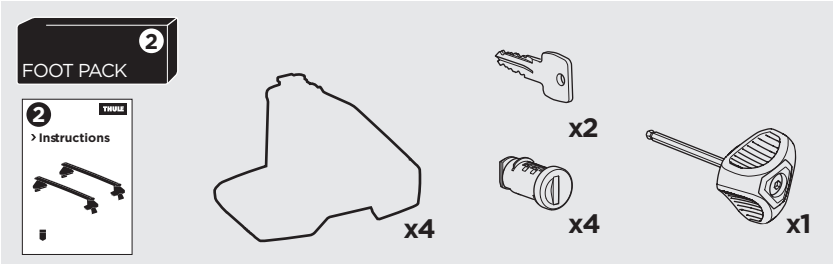
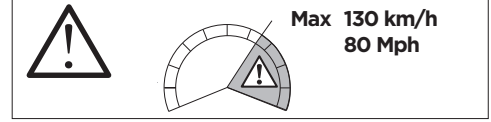
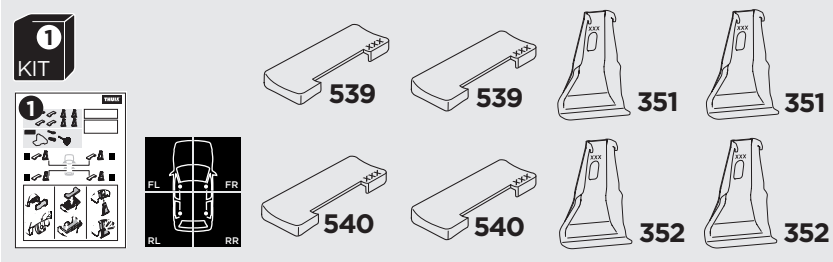
## Kit 145180

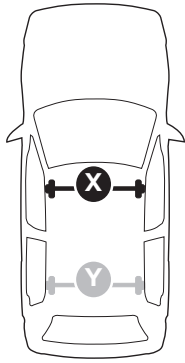
HONDA Civic, 4-dr Sedan, 12-15

ACURA ILX, 4-dr Sedan, \*13-

\*North America

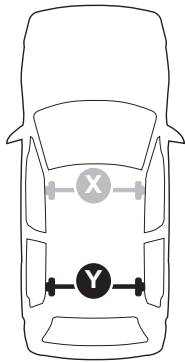
ISO 11154-E





THULE WingBar Evo	THULE WingBar Edge	THULE WingBar	THULE SquareBar Evo	<b>Evo X (scale)</b>	<b>Edge X (scale)</b>
<b>HONDA Civic, 4-dr Sedan, 12-15</b>				<b>47</b>	<b>C</b>
<b>ACURA ILX, 4-dr Sedan, *13-</b>				<b>47,5</b>	<b>B</b>

THULE ProBar Evo	THULE SlideBar Evo	<b>X (mm/inch)</b>		
<b>HONDA Civic, 4-dr Sedan, 12-15</b>		<b>1121 mm / 44 1/8"</b>		
<b>ACURA ILX, 4-dr Sedan, *13-</b>		<b>1126 mm / 44 3/8"</b>		



THULE WingBar Evo	THULE WingBar Edge	THULE WingBar	THULE SquareBar Evo	<b>Evo Y (scale)</b>	<b>Edge Y (scale)</b>
<b>HONDA Civic, 4-dr Sedan, 12-15</b>				<b>40,5</b>	<b>P</b>
<b>ACURA ILX, 4-dr Sedan, *13-</b>				<b>41,5</b>	<b>N</b>

THULE ProBar Evo	THULE SlideBar Evo	<b>Y (mm/inch)</b>		
<b>HONDA Civic, 4-dr Sedan, 12-15</b>		<b>1056 mm / 41 5/8"</b>		
<b>ACURA ILX, 4-dr Sedan, *13-</b>		<b>1066 mm / 42"</b>		

	<b>W (mm/inch)</b>	<b>Z (mm/inch)</b>
<b>HONDA Civic, 4-dr Sedan, 12-15</b>	<b>700 mm / 27 1/2"</b>	<b>175 mm / 6 7/8"</b>
<b>ACURA ILX, 4-dr Sedan, *13-</b>	<b>700 mm / 27 1/2"</b>	<b>175 mm / 6 7/8"</b>

