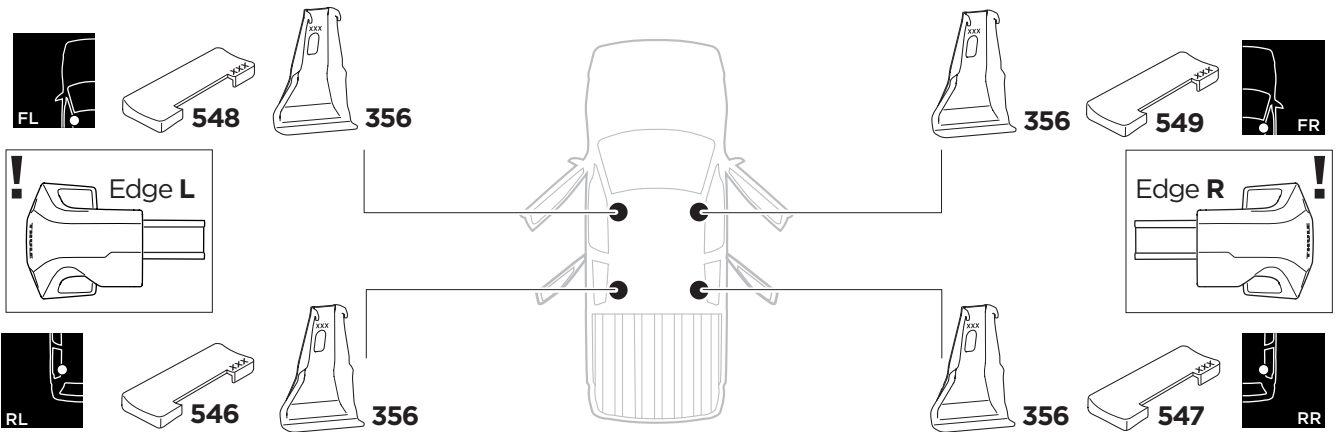
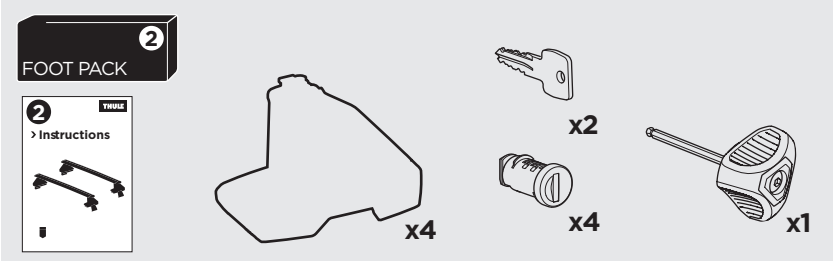
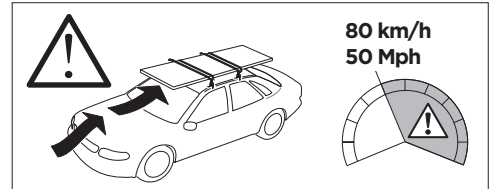
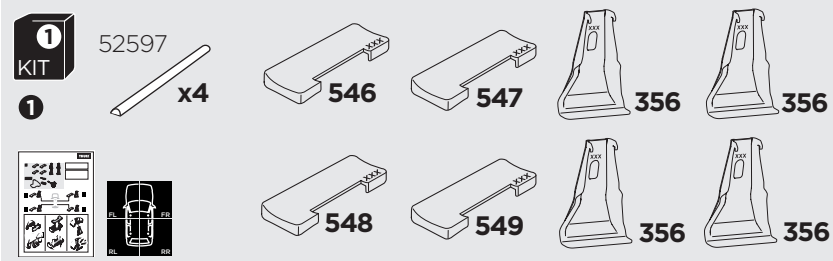


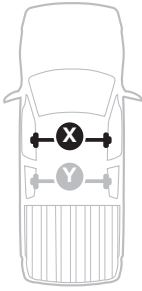
# 1

## Kit 145179

CHEVROLET Colorado, 4-dr Crew Cab, 15-  
 GMC Canyon, 4-dr Crew Cab, 15-  
 HOLDEN Colorado, 4-dr Crew Cab, 12-  
 ISUZU D-Max, 4-dr Crew Cab, 12-

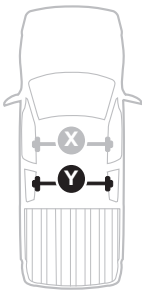
ISO 11154-E





THULE WingBar Evo            THULE WingBar Edge            THULE WingBar            THULE SquareBar Evo	Evo X (scale)	Edge X (scale)
<b>CHEVROLET Colorado</b> , 4-dr Crew Cab, 15-	42	M
<b>GMC Canyon</b> , 4-dr Crew Cab, 15-	42	M
<b>HOLDEN Colorado</b> , 4-dr Crew Cab, 12-	42	M
<b>ISUZU D-Max</b> , 4-dr Crew Cab, 12-	42	M

THULE ProBar Evo            THULE SlideBar Evo	X (mm/inch)
<b>CHEVROLET Colorado</b> , 4-dr Crew Cab, 15-	1071 mm / 42 1/8"
<b>GMC Canyon</b> , 4-dr Crew Cab, 15-	1071 mm / 42 1/8"
<b>HOLDEN Colorado</b> , 4-dr Crew Cab, 12-	1071 mm / 42 1/8"
<b>ISUZU D-Max</b> , 4-dr Crew Cab, 12-	1071 mm / 42 1/8"



THULE WingBar Evo            THULE WingBar Edge            THULE WingBar            THULE SquareBar Evo	Evo Y (scale)	Edge Y (scale)
<b>CHEVROLET Colorado</b> , 4-dr Crew Cab, 15-	41,5	N
<b>GMC Canyon</b> , 4-dr Crew Cab, 15-	41,5	N
<b>HOLDEN Colorado</b> , 4-dr Crew Cab, 12-	41,5	N
<b>ISUZU D-Max</b> , 4-dr Crew Cab, 12-	41,5	N

THULE ProBar Evo            THULE SlideBar Evo	Y (mm/inch)
<b>CHEVROLET Colorado</b> , 4-dr Crew Cab, 15-	1066 mm / 42"
<b>GMC Canyon</b> , 4-dr Crew Cab, 15-	1066 mm / 42"
<b>HOLDEN Colorado</b> , 4-dr Crew Cab, 12-	1066 mm / 42"
<b>ISUZU D-Max</b> , 4-dr Crew Cab, 12-	1066 mm / 42"

	W (mm/inch)	Z (mm/inch)
<b>CHEVROLET Colorado</b> , 4-dr Crew Cab, 15-	700 mm / 27 1/2"	300 mm / 11 3/4"
<b>GMC Canyon</b> , 4-dr Crew Cab, 15-	700 mm / 27 1/2"	300 mm / 11 3/4"
<b>HOLDEN Colorado</b> , 4-dr Crew Cab, 12-	700 mm / 27 1/2"	300 mm / 11 3/4"
<b>ISUZU D-Max</b> , 4-dr Crew Cab, 12-	700 mm / 27 1/2"	300 mm / 11 3/4"

