

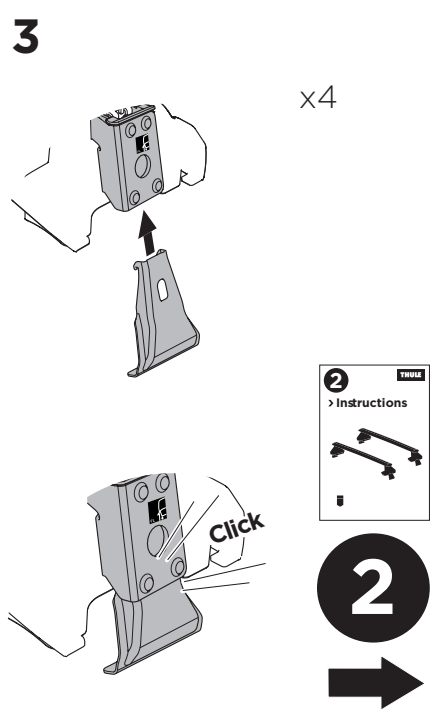
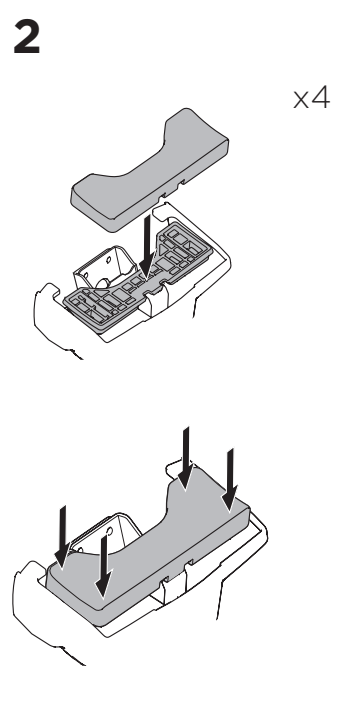
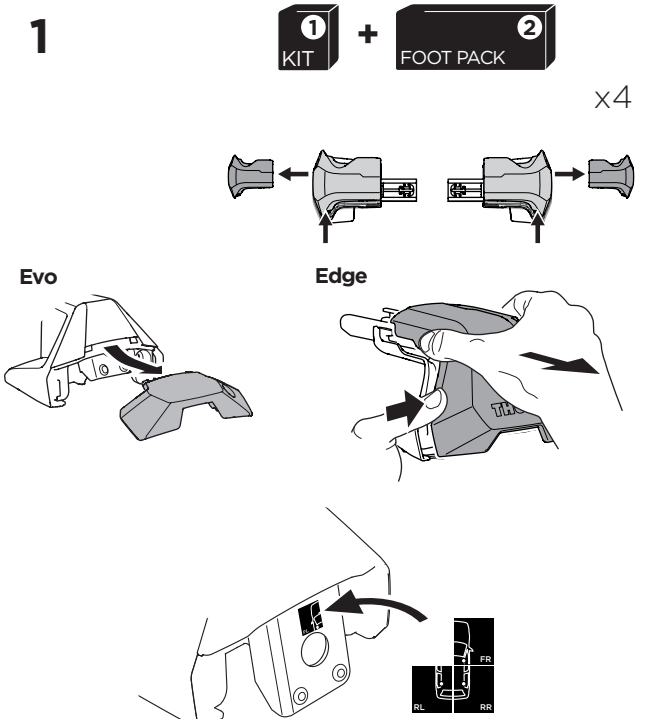
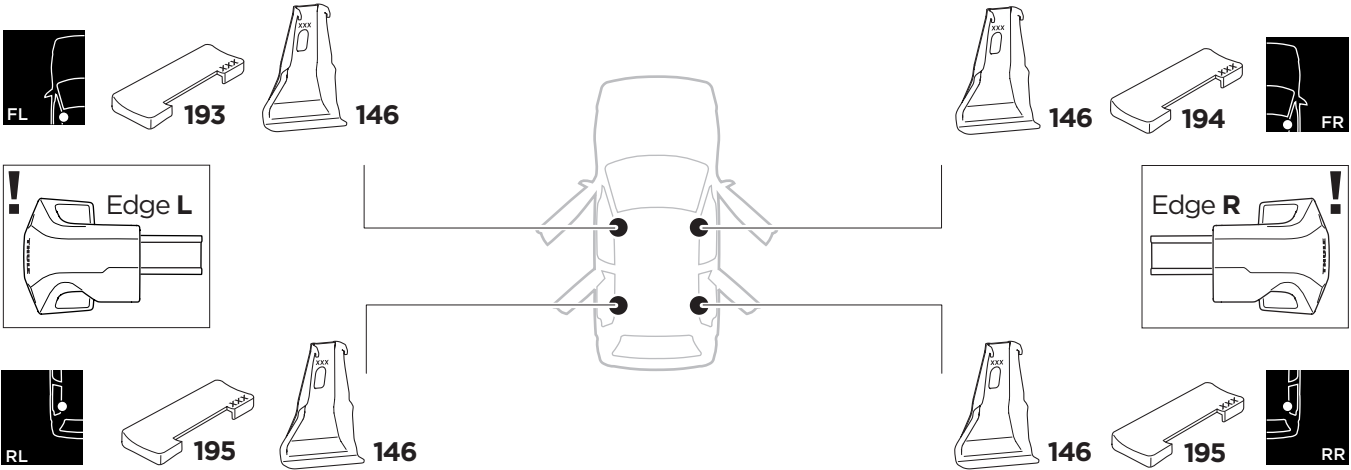
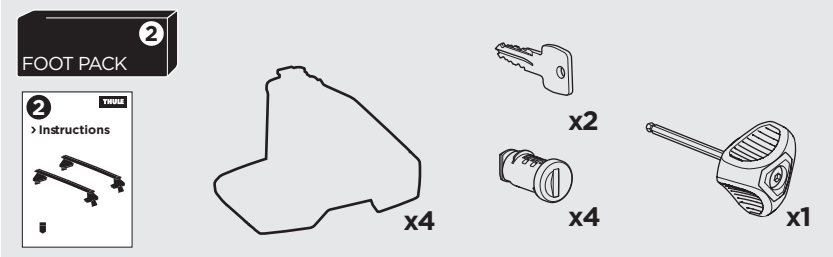
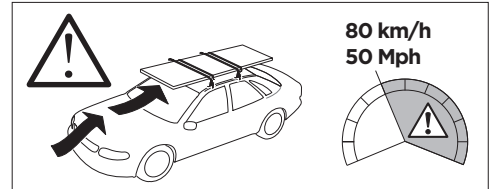
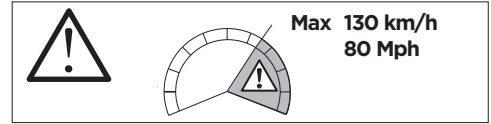
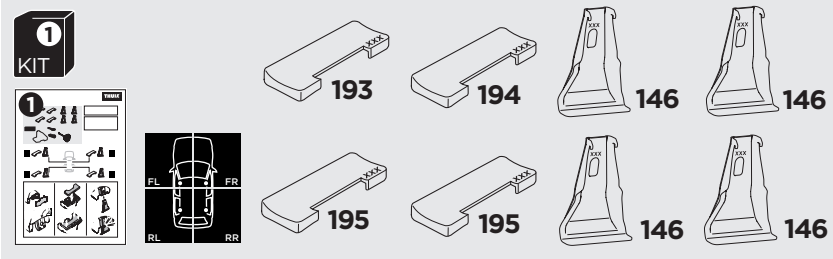
# 1

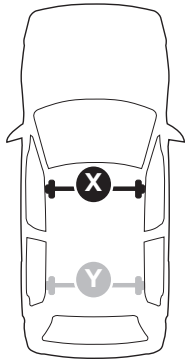
## Kit 145078

**BUICK Regal Sportback**, 5-dr Hatchback, \*18-  
**HOLDEN Commodore**, 5-dr Hatchback, 17-  
**OPEL Insignia Grand Sport**, 5-dr Hatchback, 17-  
**VAUXHALL Insignia Grand Sport**, 5-dr Hatchback, 17-

\*North America

ISO 11154-E

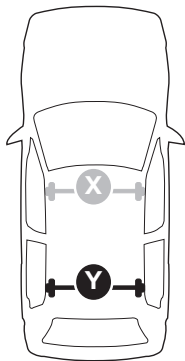




THULE WingBar Evo            THULE WingBar Edge            THULE WingBar            THULE SquareBar Evo	Evo X (scale)	Edge X (scale)
<b>BUICK Regal Sportback</b> , 5-dr Hatchback, *18-	46	E
<b>OPEL Insignia Grand Sport</b> , 5-dr Hatchback, 17-	46	E
<b>VAUXHALL Insignia Grand Sport</b> , 5-dr Hatchback, 17-	46	E

THULE ProBar Evo            THULE SlideBar Evo	X (mm/inch)
<b>BUICK Regal Sportback</b> , 5-dr Hatchback, *18-	1111 mm / 43 3/4"
<b>OPEL Insignia Grand Sport</b> , 5-dr Hatchback, 17-	1111 mm / 43 3/4"
<b>VAUXHALL Insignia Grand Sport</b> , 5-dr Hatchback, 17-	1111 mm / 43 3/4"



THULE WingBar Evo            THULE WingBar Edge            THULE WingBar            THULE SquareBar Evo	Evo Y (scale)	Edge Y (scale)
<b>BUICK Regal Sportback</b> , 5-dr Hatchback, *18-	44	I
<b>OPEL Insignia Grand Sport</b> , 5-dr Hatchback, 17-	44	I
<b>VAUXHALL Insignia Grand Sport</b> , 5-dr Hatchback, 17-	44	I

THULE ProBar Evo            THULE SlideBar Evo	Y (mm/inch)
<b>BUICK Regal Sportback</b> , 5-dr Hatchback, *18-	1091 mm / 43 "
<b>OPEL Insignia Grand Sport</b> , 5-dr Hatchback, 17-	1091 mm / 43 "
<b>VAUXHALL Insignia Grand Sport</b> , 5-dr Hatchback, 17-	1091 mm / 43 "

	W (mm/inch)	Z (mm/inch)
<b>BUICK Regal Sportback</b> , 5-dr Hatchback, *18-	730 mm / 28 3/4"	140 mm / 5 1/2"
<b>OPEL Insignia Grand Sport</b> , 5-dr Hatchback, 17-	730 mm / 28 3/4"	140 mm / 5 1/2"
<b>VAUXHALL Insignia Grand Sport</b> , 5-dr Hatchback, 17-	730 mm / 28 3/4"	140 mm / 5 1/2"

