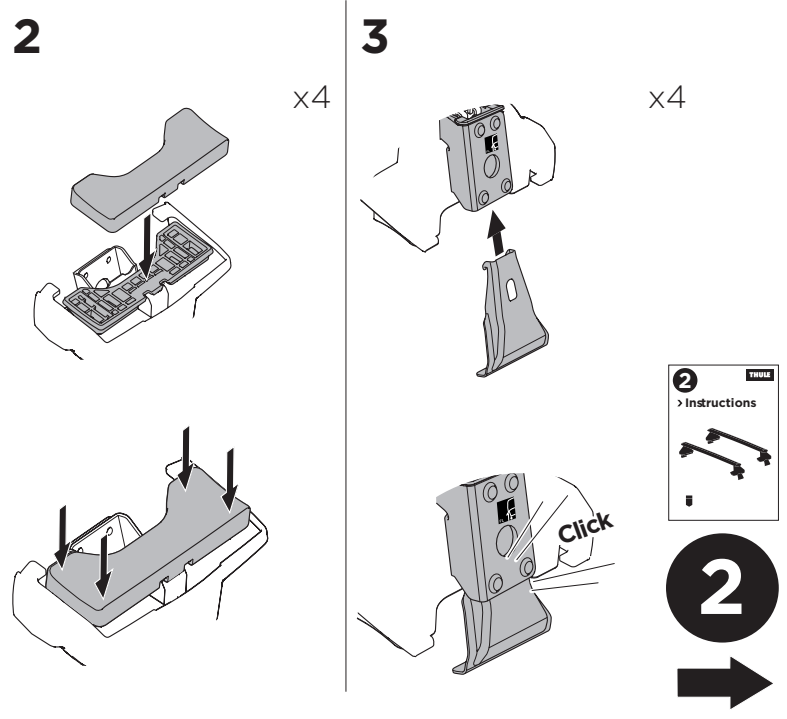
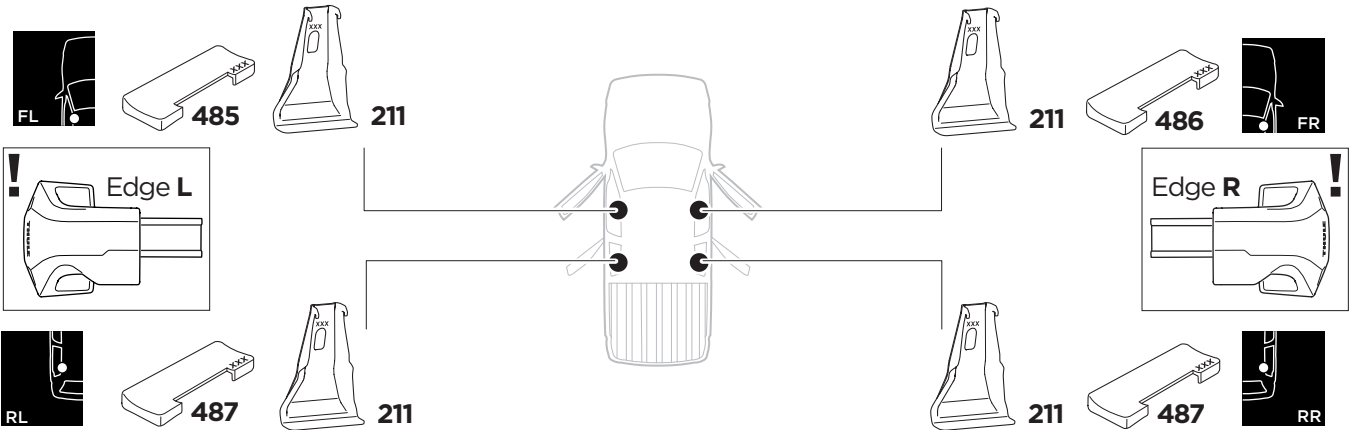
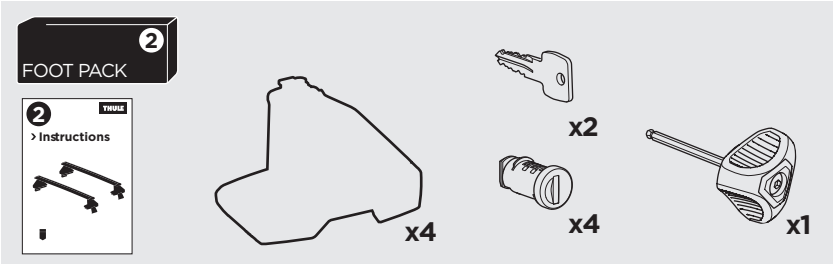
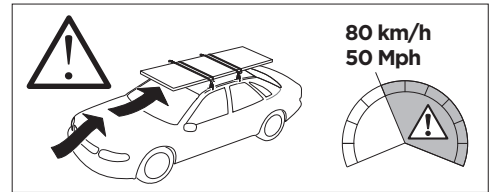
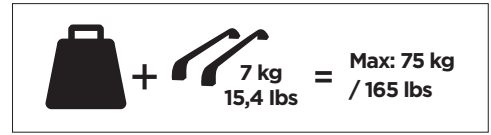
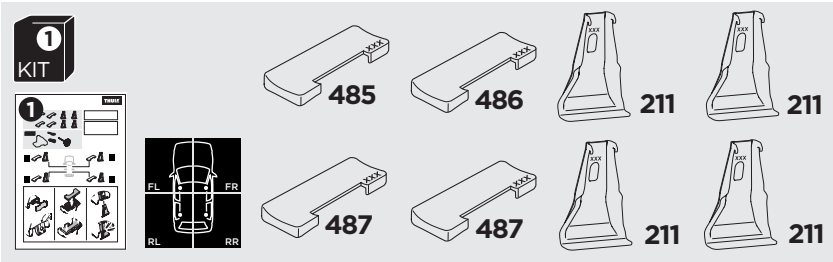


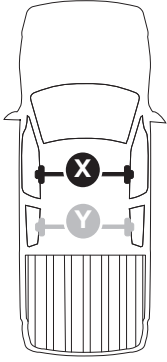
1

Kit 145063

FORD Ranger, 4-dr Double Cab, 11-
 FORD Ranger, 4-dr Super Cab, 11-
 FORD Ranger Raptor, 4-dr Double Cab, 20-
 MAZDA BT-50, 4-dr Double Cab, 12-
 MAZDA BT-50, 2-dr Single Cab, 12-

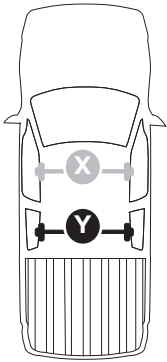
ISO 11154-E





| THULE WingBar Evo | THULE WingBar Edge | THULE WingBar | THULE SquareBar Evo | Evo X (scale) | Edge X (scale) |
|---|--------------------|---------------|---------------------|---------------|----------------|
| FORD Ranger, 4-dr Double Cab, 11- | | | | 47 | C |
| FORD Ranger, 4-dr Super Cab, 11- | | | | 47 | C |
| FORD Ranger Raptor, 4-dr Double Cab, 20- | | | | 47 | C |
| MAZDA BT-50, 4-dr Double Cab Cab, 12- | | | | 47 | C |
| MAZDA BT-50, 2-dr Single Cab Cab, 12- | | | | 47 | C |

| THULE ProBar Evo | THULE SlideBar Evo | X (mm/inch) |
|---|--------------------|-------------------|
| FORD Ranger, 4-dr Double Cab, 11- | | 1121 mm / 44 1/8" |
| FORD Ranger, 4-dr Super Cab, 11- | | 1121 mm / 44 1/8" |
| FORD Ranger Raptor, 4-dr Double Cab, 20- | | 1121 mm / 44 1/8" |
| MAZDA BT-50, 4-dr Double Cab Cab, 12- | | 1121 mm / 44 1/8" |
| MAZDA BT-50, 2-dr Single Cab Cab, 12- | | 1121 mm / 44 1/8" |



| THULE WingBar Evo | THULE WingBar Edge | THULE WingBar | THULE SquareBar Evo | Evo Y (scale) | Edge Y (scale) |
|---|--------------------|---------------|---------------------|---------------|----------------|
| FORD Ranger, 4-dr Double Cab, 11- | | | | 45 | G |
| FORD Ranger, 4-dr Super Cab, 11- | | | | 44,5 | H |
| FORD Ranger Raptor, 4-dr Double Cab, 20- | | | | 45 | G |
| MAZDA BT-50, 4-dr Double Cab, 12- | | | | 44,5 | H |
| MAZDA BT-50, 2-dr Single Cab, 12- | | | | - | - |

| THULE ProBar Evo | THULE SlideBar Evo | Y (mm/inch) |
|---|--------------------|-------------------|
| FORD Ranger, 4-dr Double Cab, 11- | | 1101 mm / 43 3/8" |
| FORD Ranger, 4-dr Super Cab, 11- | | 1096 mm / 43 1/8" |
| FORD Ranger Raptor, 4-dr Double Cab, 20- | | 1101 mm / 43 3/8" |
| MAZDA BT-50, 4-dr Double Cab, 12- | | 1096 mm / 43 1/8" |
| MAZDA BT-50, 2-dr Single Cab, 12- | | - |

| | W (mm/inch) | Z (mm/inch) |
|---|------------------|-----------------|
| FORD Ranger, 4-dr Double Cab, 11- | 700 mm / 27 1/2" | 235 mm / 9 1/4" |
| FORD Ranger, 4-dr Super Cab, 11- | 600 mm / 23 5/8" | 185 mm / 7 1/4" |
| FORD Ranger Raptor, 4-dr Double Cab, 20- | 700 mm / 27 1/2" | 235 mm / 9 1/4" |
| MAZDA BT-50, 4-dr Double Cab, 12- | 600 mm / 23 5/8" | 185 mm / 7 1/4" |
| MAZDA BT-50, 2-dr Single Cab, 12- | - | 185 mm / 7 1/4" |

