

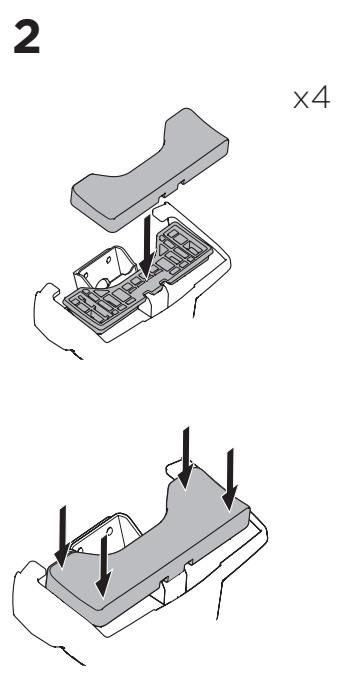
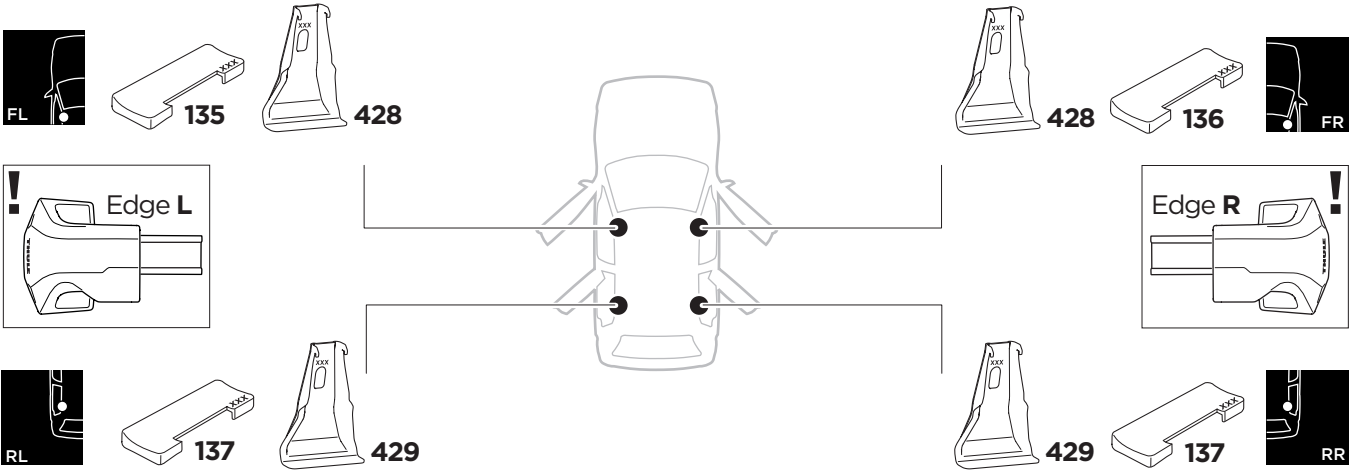
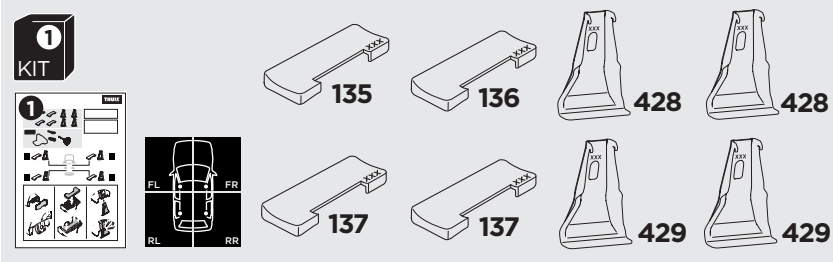
# 1

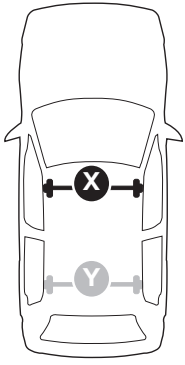
## Kit 145025

FORD S-Max, 5-dr MPV, 15-

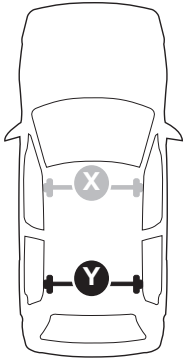


ISO 11154-E





THULE WingBar Evo	THULE WingBar Edge	THULE WingBar	THULE SquareBar Evo	<b>Evo X (scale)</b>	<b>Edge X (scale)</b>
<b>FORD S-Max, 5-dr MPV, 15-</b>				<b>54</b>	<b>G</b>
THULE ProBar Evo	THULE SlideBar Evo				<b>X (mm/inch)</b>
<b>FORD S-Max, 5-dr MPV, 15-</b>				<b>1191 mm / 46 7/8"</b>	



THULE WingBar Evo	THULE WingBar Edge	THULE WingBar	THULE SquareBar Evo	<b>Evo Y (scale)</b>	<b>Edge Y (scale)</b>
<b>FORD S-Max, 5-dr MPV, 15-</b>				<b>51</b>	<b>M</b>
THULE ProBar Evo	THULE SlideBar Evo				<b>Y (mm/inch)</b>
<b>FORD S-Max, 5-dr MPV, 15-</b>				<b>1161 mm / 45 3/4"</b>	

	<b>W (mm/inch)</b>	<b>Z (mm/inch)</b>
<b>FORD S-Max, 5-dr MPV, 15-</b>	<b>780 mm / 30 3/4"</b>	<b>300 mm / 11 3/4"</b>

