

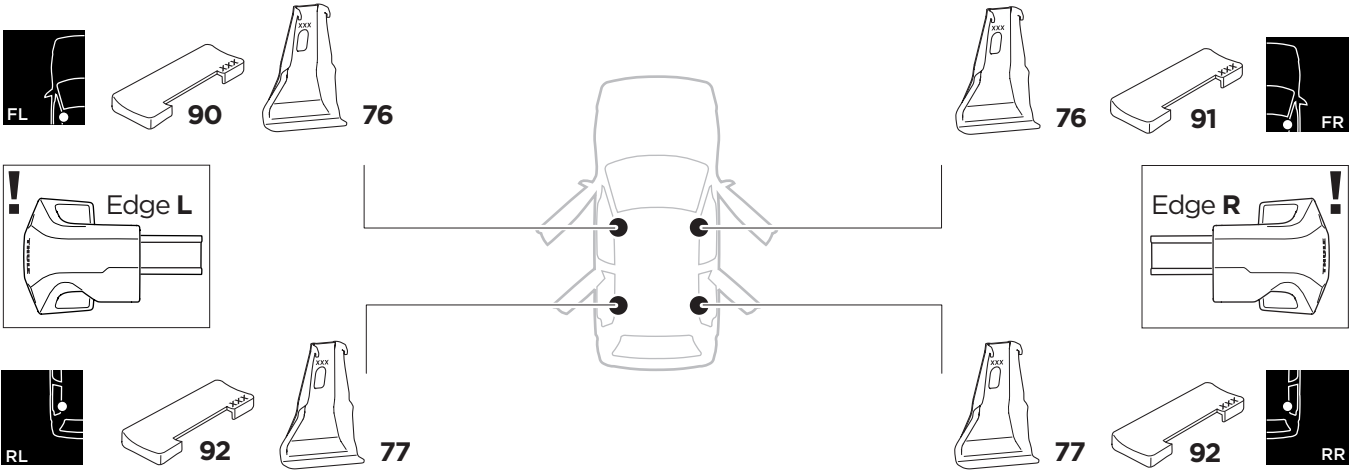
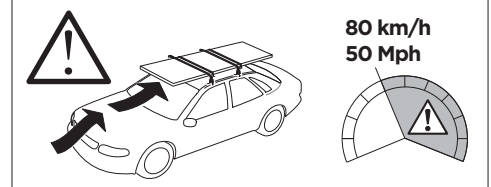
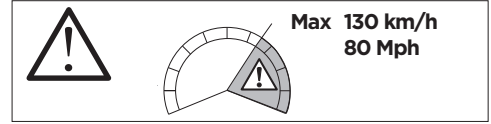
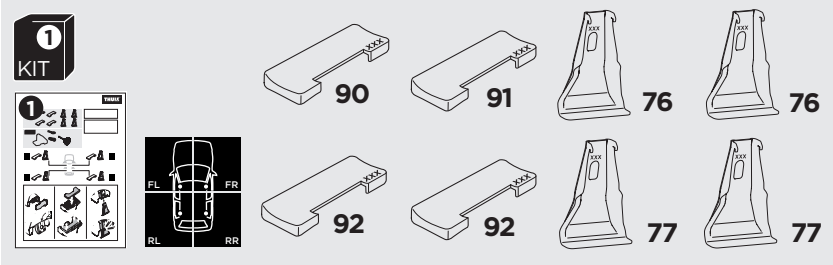
1

Kit 145019

RENAULT Captur, 5-dr SUV, 13-19



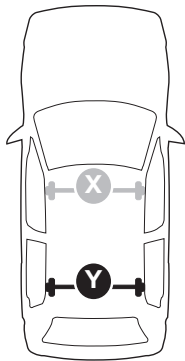
ISO 11154-E





| | | | | | |
|--|--------------------|---------------|---------------------|----------------------|-----------------------|
| THULE WingBar Evo | THULE WingBar Edge | THULE WingBar | THULE SquareBar Evo | Evo X (scale) | Edge X (scale) |
| RENAULT Captur, 5-dr SUV, 13-19 | | | | 36 | G |

| | | | | |
|--|--------------------|--------------------------|--|--|
| THULE ProBar Evo | THULE SlideBar Evo | X (mm/inch) | | |
| RENAULT Captur, 5-dr SUV, 13-19 | | 1011 mm / 39 3/4" | | |



| | | | | | |
|--|--------------------|---------------|---------------------|----------------------|-----------------------|
| THULE WingBar Evo | THULE WingBar Edge | THULE WingBar | THULE SquareBar Evo | Evo Y (scale) | Edge Y (scale) |
| RENAULT Captur, 5-dr SUV, 13-19 | | | | 32 | O |

| | | | | |
|--|--------------------|-------------------------|--|--|
| THULE ProBar Evo | THULE SlideBar Evo | Y (mm/inch) | | |
| RENAULT Captur, 5-dr SUV, 13-19 | | 971 mm / 38 1/4" | | |

| | | |
|--|-------------------------|------------------------|
| | W (mm/inch) | Z (mm/inch) |
| RENAULT Captur, 5-dr SUV, 13-19 | 720 mm / 28 3/8" | 220 mm / 8 5/8" |

