



## Thule Rapid System Kit 1071

# > Instructions

TOYOTA Corolla, 3-dr Hatchback, 98-99, 00-03

TOYOTA Corolla, 5-dr Liftback, 98-03

The diagram is divided into four main sections:

- Top Left:** A dashed box containing an information icon, a warning triangle, an arrow pointing to a person reading instructions, and two instruction manuals labeled 'B' and 'A'. Manual 'B' is titled 'Thule Rapid System Kit 1071 > Instructions' and manual 'A' is titled 'Thule Rapid System 754 > Instructions'. An arrow points from manual 'B' to manual 'A'.
- Top Right:** A weight calculation diagram. It shows a bag labeled 'xx kg / xx lbs' plus a rack labeled '7 kg / 15,4 lbs' and two screws labeled '3 kg / 6,6 lbs'. Below this, an equals sign points to a box containing 'Max. 50 kg' and 'Max. 110 lbs'.
- Bottom Left:** A dashed box containing a warning triangle, three instruction manuals (A, B, and Security), and a person reading a manual.
- Bottom Right:** A diagram of a car with arrows indicating the rack's position. A speedometer graphic shows a warning triangle between 80 km/h (50 Mph) and 130 km/h (80 Mph), with a note '40 km/h 25 Mph' below it.

ISO 11154-E

141071

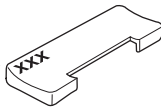
C.20140217  
519-1071-01

Bring your life

thule.com



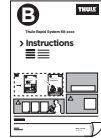
04 x4



158 x4



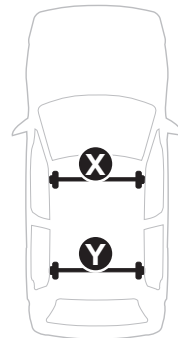
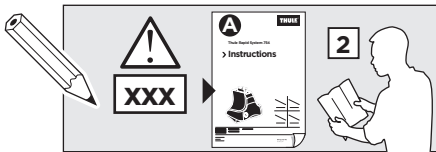
x1



x1

1

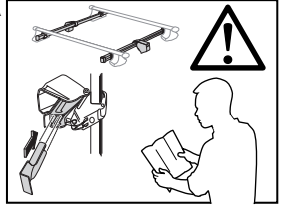
	X (scale)	X (mm)	X (inch)
<b>TOYOTA Corolla</b> , 3-dr Hatchback, 98-99, 00-03	29,5	946	37 1/4
<b>TOYOTA Corolla</b> , 5-dr Liftback, 98-03	29,5	946	37 1/4



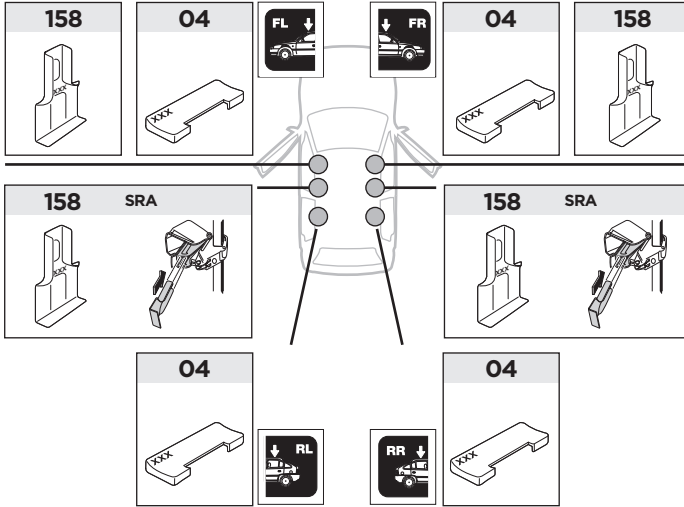
	Y (scale)	Y (mm)	Y (inch)
<b>TOYOTA Corolla</b> , 3-dr Hatchback, 98-99, 00-03	25	901	35 1/2
<b>TOYOTA Corolla</b> , 5-dr Liftback, 98-03	29,5	946	37 1/4

2

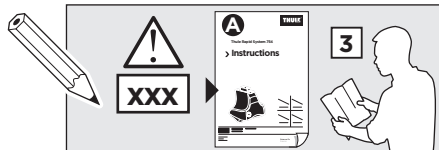
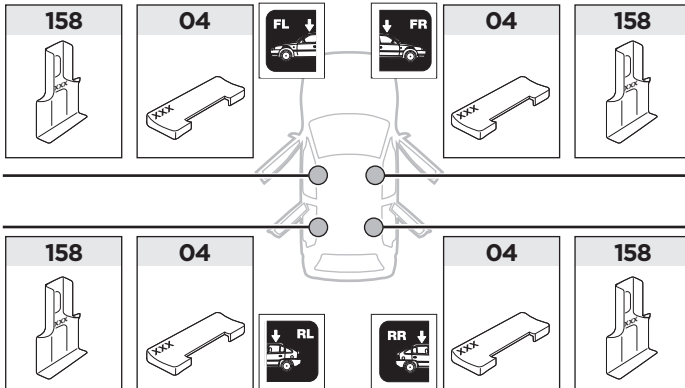
SRA



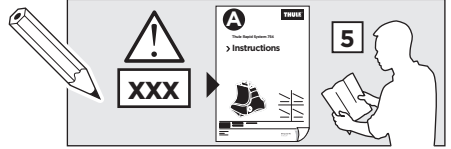
**TOYOTA Corolla, 3-dr Hatchback, 98-99, 00-03**



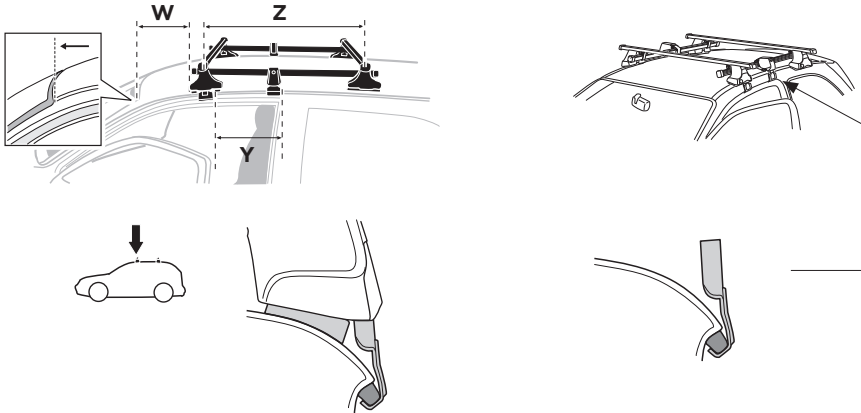
**TOYOTA Corolla, 5-dr Liftback, 98-03**



3



	W (mm)	Z (mm)	Y (mm)	W (inch)	Z (inch)	Y (inch)
<b>TOYOTA Corolla, 3-dr Hatchback, 98-99, 00-03</b>	<b>260</b>	<b>700</b>	<b>340</b>	<b>10 1/4</b>	<b>27 1/2</b>	<b>13 3/8</b>



	W (mm)	Z (mm)	W (inch)	Z (inch)
<b>TOYOTA Corolla, 5-dr Liftback, 98-03</b>	<b>260</b>	<b>650</b>	<b>10 1/4</b>	<b>25 5/8</b>

