



## Rhino Rack 2500 Series - DK351

FRONT								
Region	Date	Vehicle	Bar Measurement Strip. Length per Side	HD Crossbar distance (x)	Pad/Clamp FRONT RIGHT	Pad/Clamp FRONT LEFT	Foot Plate Arrow Direction	Crossbar
AU/NZ	03/12-	Toyota Prius C 5dr hatch	54mm	782mm / 30,25/32"	142612 / SUB0144	142612 / SUB0144	OUT	1060mm
USA/CA	12-				<i>Pad arrow forward</i>	<i>Pad arrow forward</i>		

REAR								
Region	Date	Vehicle	Bar Measurement Strip. Length per Side	HD Crossbar distance (x)	Pad/Clamp REAR RIGHT	Pad/Clamp REAR LEFT	Foot Plate Arrow Direction	Crossbar
AU/NZ	03/12-	Toyota Prius C 5dr hatch	58mm	790mm / 31,7/64"	142629 / SUB0196	142628 / SUB0196	IN	1060mm
USA/CA	12-				<i>Pad arrow out</i>	<i>Pad arrow out</i>		



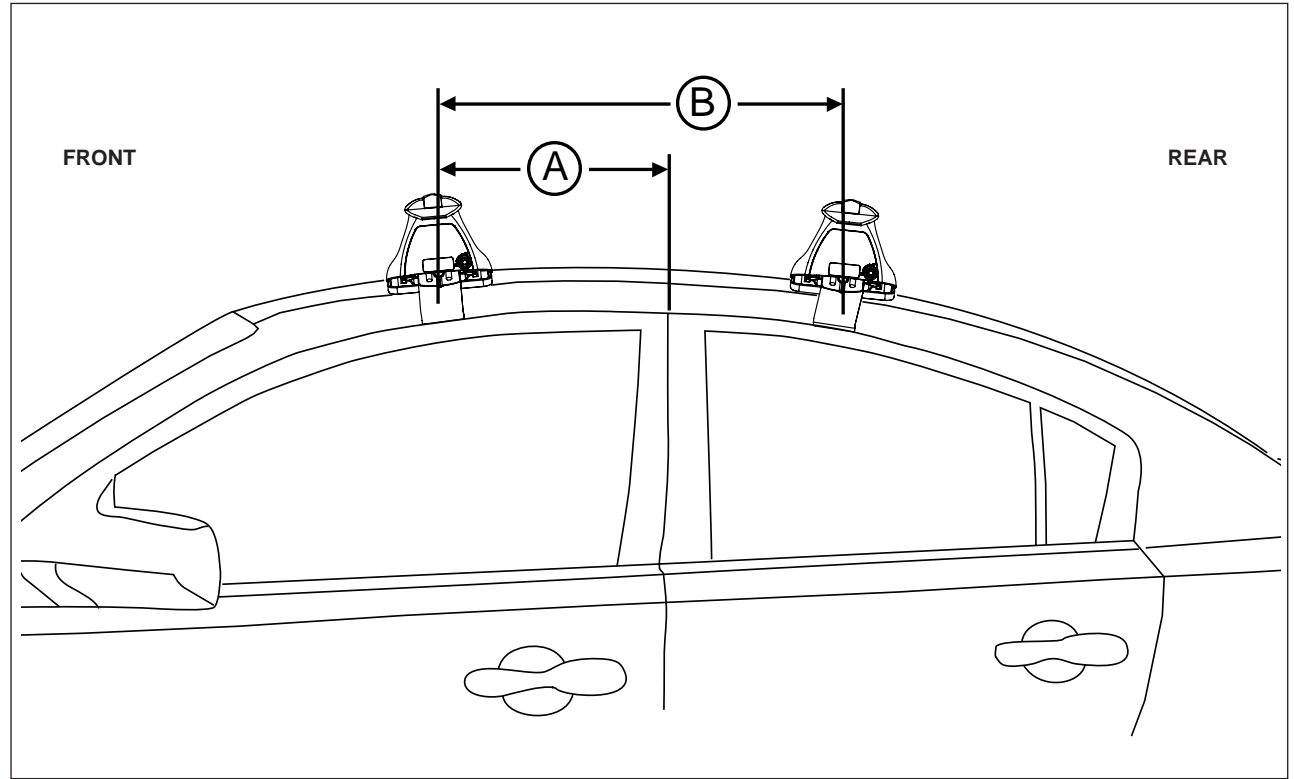
## Rhino Rack 2500 Series - DK351

**Measurement A:** CENTRE of door jamb to CENTRE arrow of leg foot plate.

**Measurement B:** CENTRE of Front leg foot plate arrow to CENTRE of Rear leg foot plate arrow.

**Carrying capacity:** Roof rack is rated to 75kg. Please refer to manufacturers handbook for your vehicles maximum roof load capacity. Always use the lower of the two figures.

If your vehicle is not listed on this fitting instruction please refer to your countries Rhino-Rack web site for the latest information.



Region	Date	Vehicle	Measurement A	Measurement B	Load Rating (includes racks 5kg/11lbs)
AU/NZ	03/12-	Toyota Prius C 5dr hatch	200mm / 7,7/8"	680mm / 26,49/64"	60kg / 132lbs
USA/CA	12-				