



## Rhino Rack 2500 Series - DK283

### FRONT Crossbar

VEHICLE	Build date	Crossbar FRONT	Pad / Clamp FRONT RIGHT	Pad / Clamp FRONT LEFT	Foot plate arrow direction	Bar measurement strip. Length per side.	HD Crossbar distance ( x ).
Kia Optima TF 3rd Gen 4dr sedan	01/2011-	1260mm	M142614 / SUB0144	M142613 / SUB0144	OUT	<b>83mm</b>	1040mm / 40,15/16"

### REAR Crossbar

VEHICLE	Build date	Crossbar REAR	Pad / Clamp REAR RIGHT	Pad / Clamp REAR LEFT	Foot plate arrow direction	Bar measurement strip. Length per side.	HD Crossbar distance ( x ).
Kia Optima TF 3rd Gen 4dr sedan	01/2011-	1260mm	M506 / SUB0144	M505 / SUB0144	OUT	<b>52mm</b>	978mm / 38,1/2"



# Rhino Rack 2500 Series - DK283

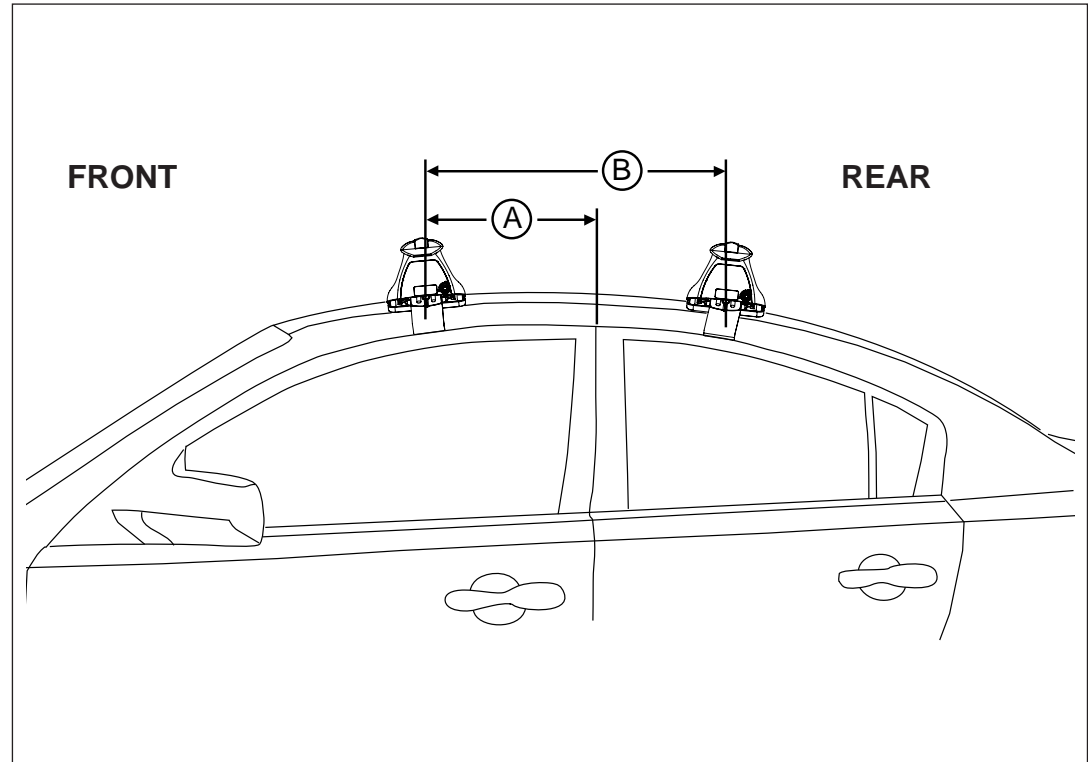
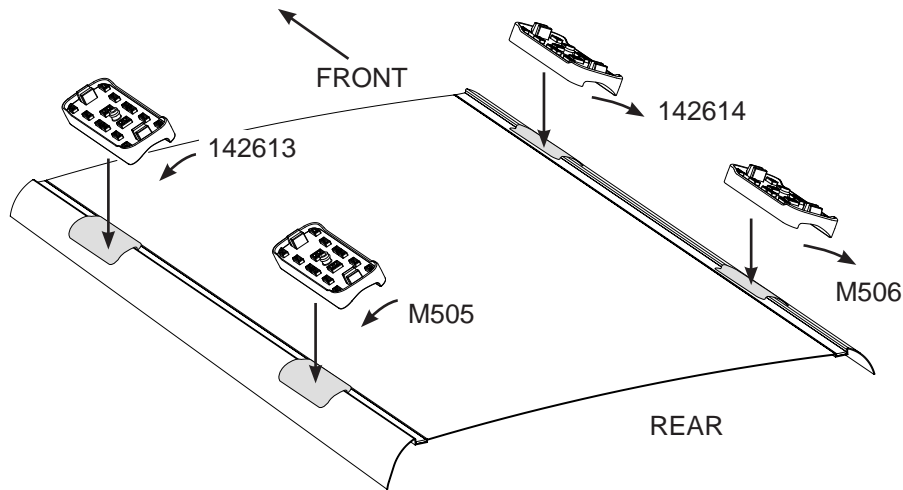
**Measurement A:** CENTRE of door jamb to CENTRE arrow of leg foot plate.

**Measurement B:** CENTRE of Front leg foot plate arrow to CENTRE of Rear leg foot plate arrow.

**Carrying capacity:** Roof rack is rated to 75kg. Please refer to manufacturers handbook for your vehicles maximum roof load capacity. Always use the lower of the two figures.

If your vehicle is not listed on this fitting instruction please refer to your countries Rhino-Rack web site for the latest information.

- Pad 142613 FRONT Left of vehicle - Arrow facing outward.
- Pad 142614 FRONT Right of vehicle - Arrow facing outward.
- Pad M506 REAR Right of vehicle - Arrow facing outward.
- Pad M505 REAR Left of vehicle - Arrow facing outward.



VEHICLE	Build Date	Measurement A	Measurement B	Weight Rating (includes racks 5kg / 11lbs)
Kia Optima TF 3rd Gen 4dr sedan	01/2011-	300mm / 11,13/16"	700mm / 27,9/16"	<b>75kg / 165lbs</b>