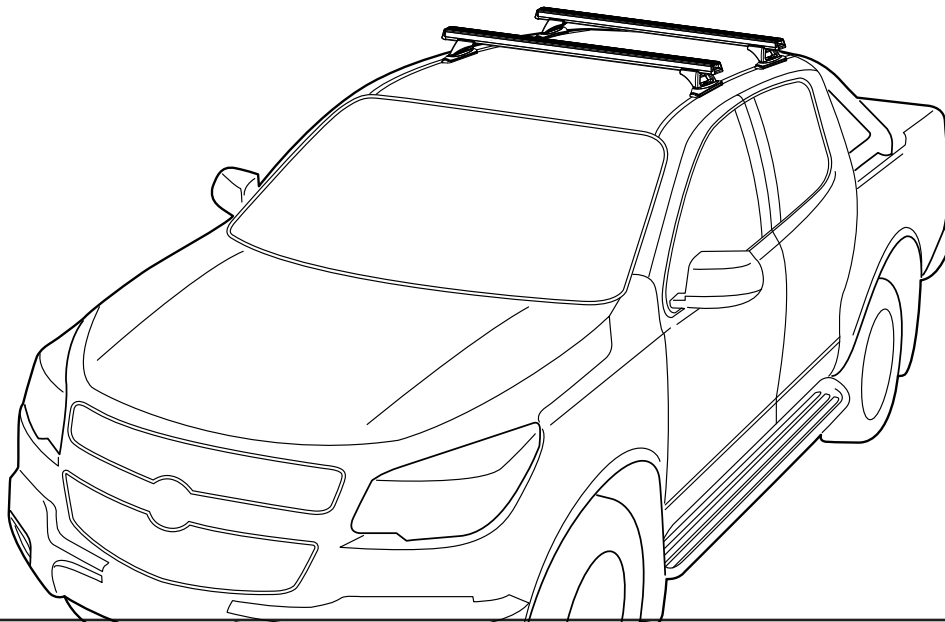




RHINO-RACK

RTS527 Holden Colorado Dual Cab - Two Cross Bar Track Mount System

Important: Please read these instructions carefully prior to installation.
Please refer to your fitting instruction to ensure that the roof racks are installed in the correct locations.
Check the contents of kit before commencing fitment and report any discrepancies.
Place these instructions in the vehicle's glove box after installation is complete.



Care Instruction: Wash vehicle roof prior to installing Rhino Tracks.

Important Information

Maximum carrying capacity: 100kg

Recommendations:

It is essential that all bolt connections be checked after driving a short distance when you first install your cross bars. Bolt connections should be checked again at regular intervals (probably once a week is enough, depending on road conditions, usage, loads and distances travelled). You should also check the cross bars each time they are re-fitted.

Make sure to fasten your load securely. Please ensure that all loads are evenly distributed and that the centre of gravity is kept as low as possible.

Use only non-stretch fastening ropes or straps.

Sensitivity to cross winds, behaviour in curves and braking.

The handling characteristics of the vehicle, changes when you transport a load on the roof. For safety reasons, we recommend you exercise extreme care when transporting wind-resisting loads; special consideration must be taken into account when braking.

Please remove cross bars when putting vehicle through an automatic car wash.

Load Ratings:

Maximum permissible load is 100kg per pair of cross bars (include the weight of the cross bars, 5kg). When cross bars are to be used in off-road conditions, please build a safety factor of 1.5 into this load limit. Although the cross bars are tested and approved to AS1235-2000, Australian road conditions can be much more rigorous. However, increasing the number of cross bars does not increase the vehicles maximum permissible roof loading.

Note for Dealers and Fitters:

It is your responsibility to ensure instructions are given to the end user or client.

Rhino-Rack
3 Pike Street, Rydalmere,
NSW 2116, Australia.
(Ph) (02) 9638 4744
(Fax) (02) 9638 4822

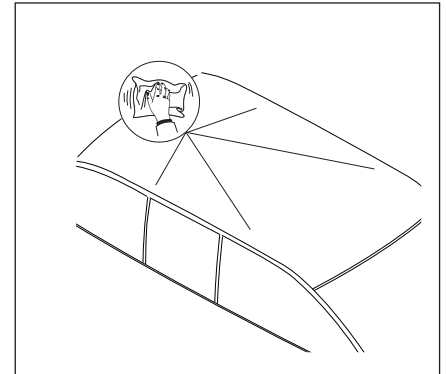
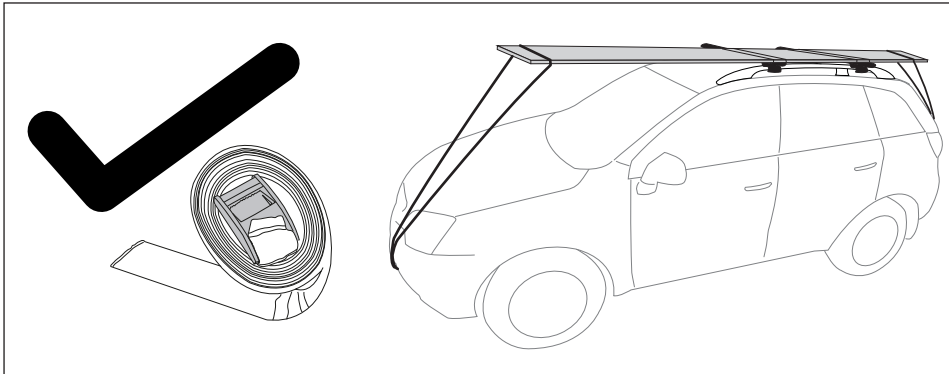
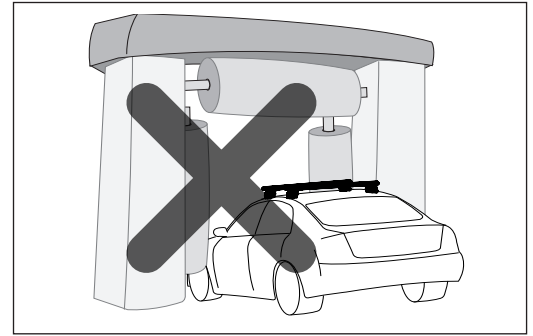
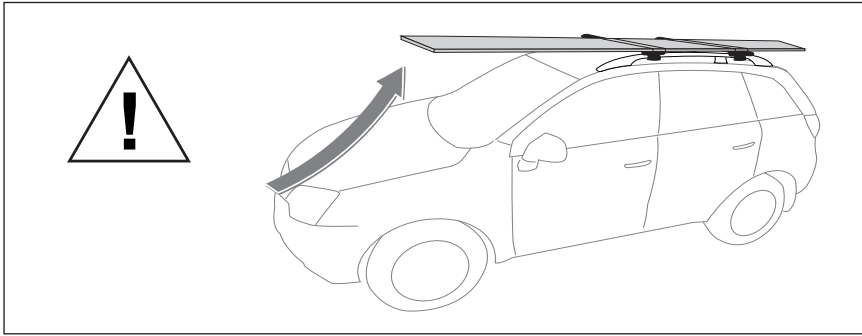
Document No: R245
Prepared By: Andy Wana
Authorised By: Chris Murty

Issue No: 01
Issue Date: 22/11/2012

These instructions remain the property of Rhino-Rack Australia Pty. Ltd. and may not be used or changed for any other purpose than intended.

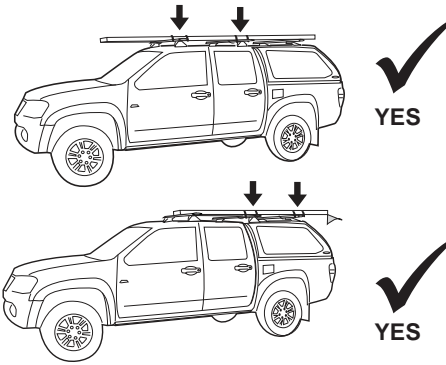
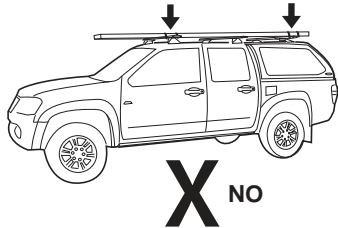


RTS527 Holden Colorado Dual Cab - Two Cross Bar Track Mount System



WARNING! Important Load Carrying Instructions

With utility vehicles, the cabin and the canopy move independently. Roof racks and vehicle can be damaged if the item transported is rigidly fixed at points on both the cabin and canopy. Instead, rigidly fix to either the cabin roof racks or the canopy roof racks.



Parts List

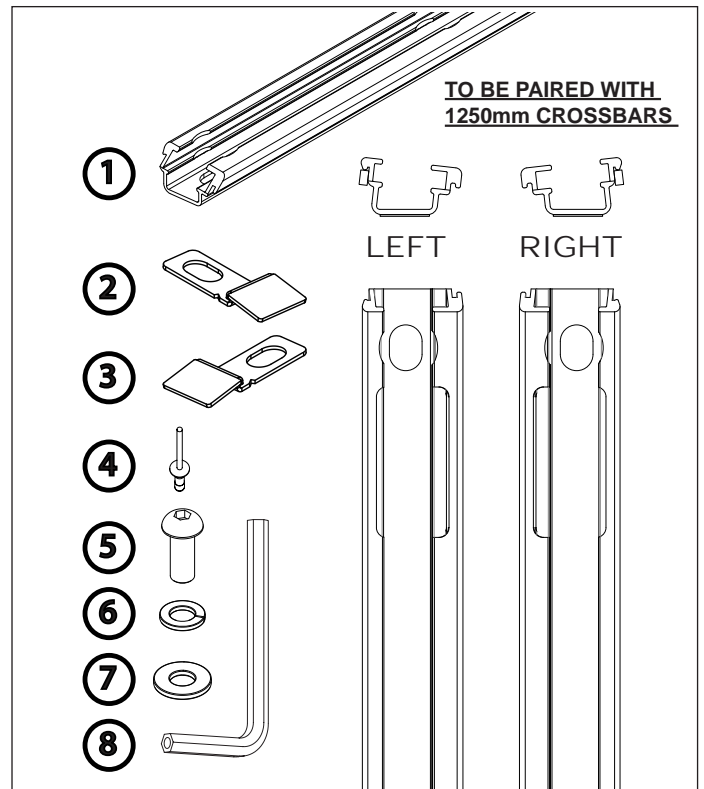
Item	Component Name	Qty	Part No.
1	Track (Left and Right)	2	A532
2	End Cap Left Hand Side	2	CA1147
3	End Cap Right Hand Side	2	CA1148
4	01661-00619 Avdel Rivet	6	H008
5	M8 x 20mm S/S Button Head Screw	8	B155
6	M8 Spring Washer	8	W019
7	M8 Flat washer	4	W020
8	5mm Allen Key	1	H002
9	Fitting Instruction	1	R245

Tools Required:

Pneumatic or Concertina	5mm drill bit.
Rivet gun.	Vacuum cleaner.
Masking tape.	Cold galvanizing
Rubber Mallet.	solution & small brush.
Power or Cordless drill.	Selleys Butyl Mastic.

SPECIAL NOTE:

Assistance by a second person may be required to maintain accurate alignment of the Track extrusion while holes are marked out and drilled.



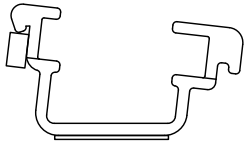


Fitting Instructions

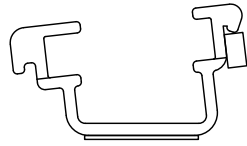
1

LEFT Track

RIGHT Track

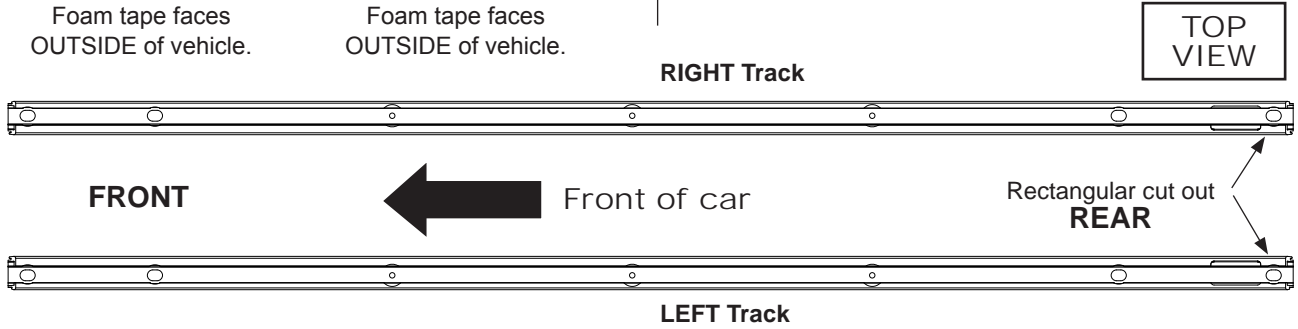


Foam tape faces
OUTSIDE of vehicle.



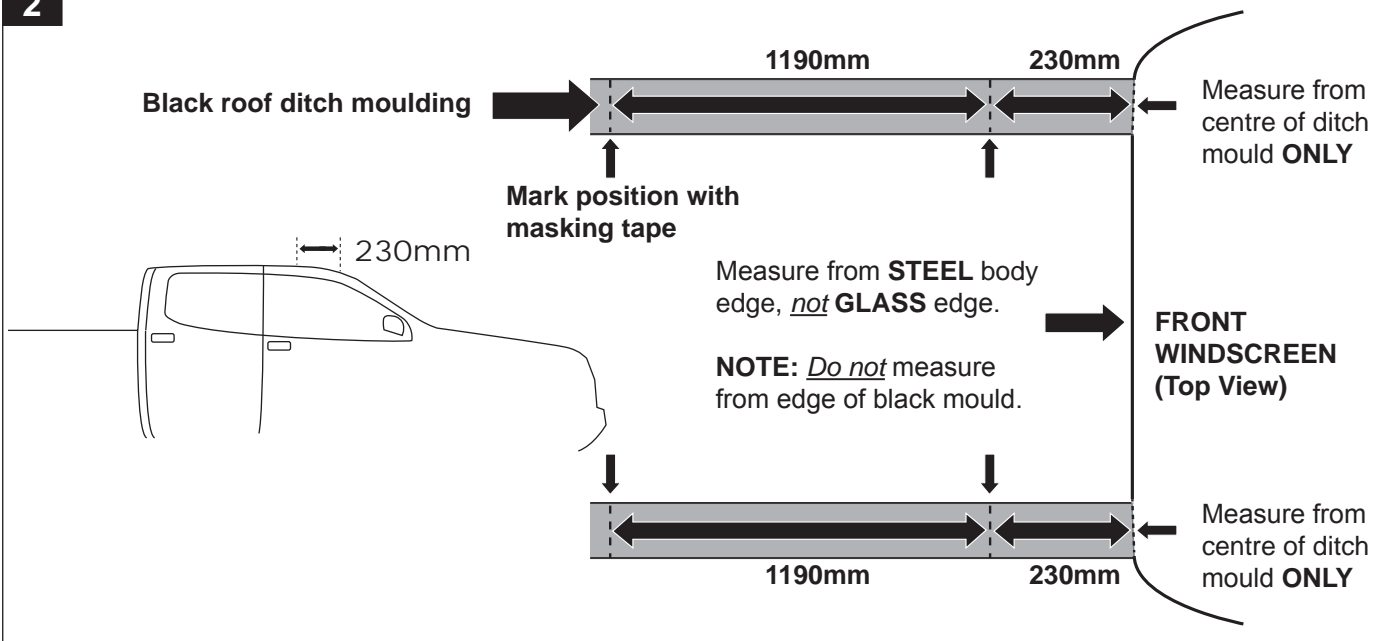
Foam tape faces
OUTSIDE of vehicle.

The track extrusions are Left and Right handed. The single large rectangular cut out denotes the **REAR**.



NOTE: WE RECOMMEND THAT YOU COMPLETELY INSTALL ONE TRACK AT A TIME.

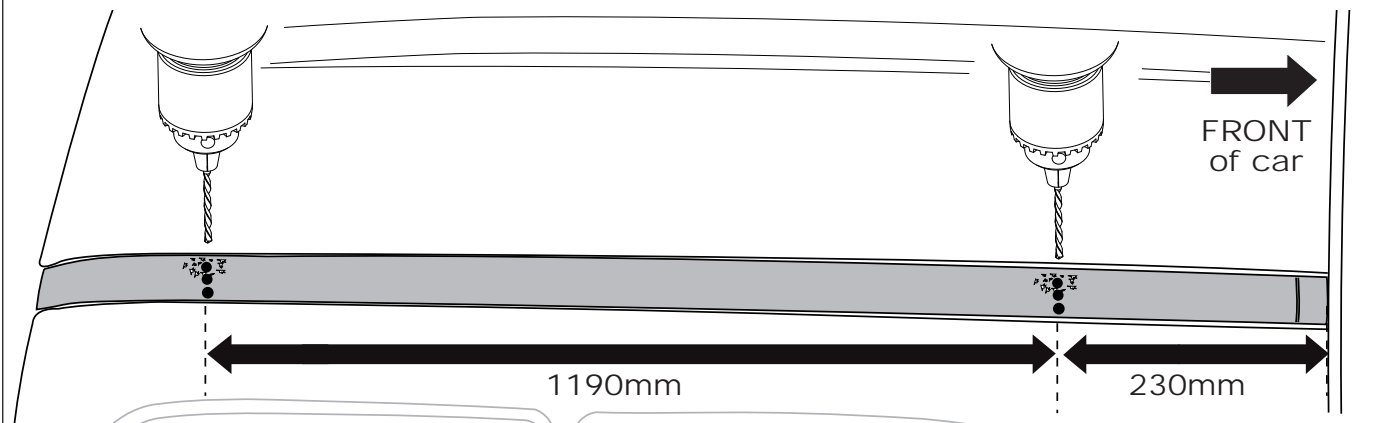
2



3

Drill through roof trim.

Drill three holes of diameter 3mm through the trim at the 4 marked locations, it has a steel backing. **DO NOT DRILL INTO THE ROOF.**



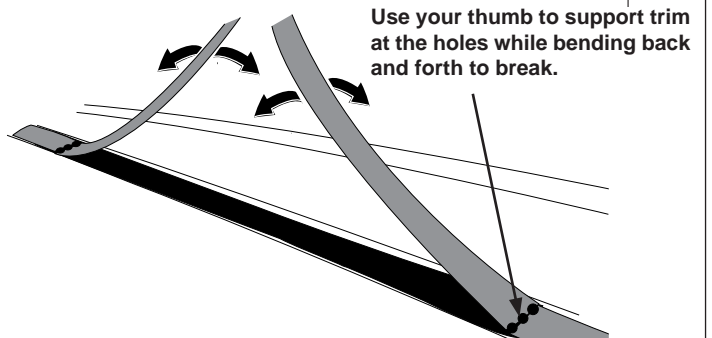
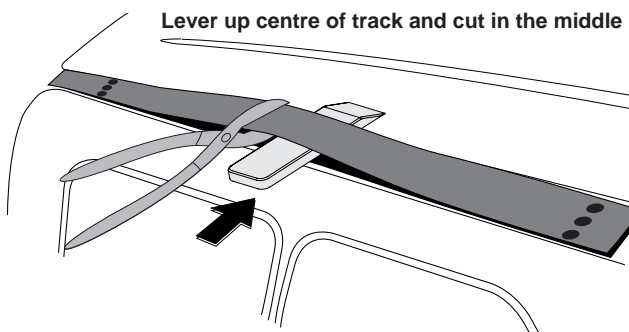
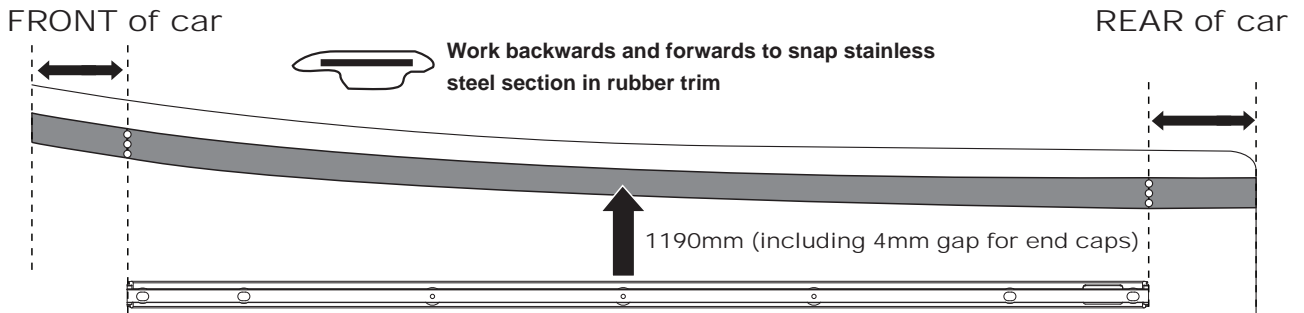


RTS527 Holden Colorado Dual Cab - Two Cross Bar Track Mount System

cont. Stretch and bend the roof trim up in the middle with your fingers, being very careful not to damage the paint work. Slide a blunt instrument under the trim to support it. Cut with side cutters or tin snips. Support the roof trim at the drilled holes. Bend the trim back and forth to break at the drilled holes.

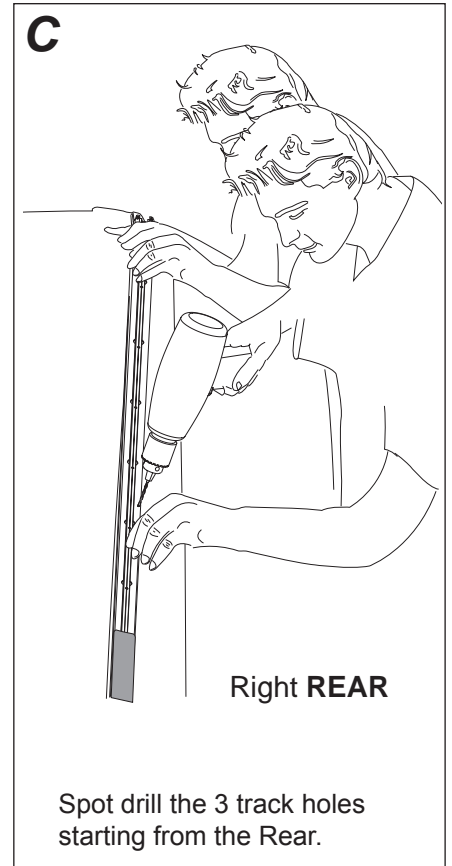
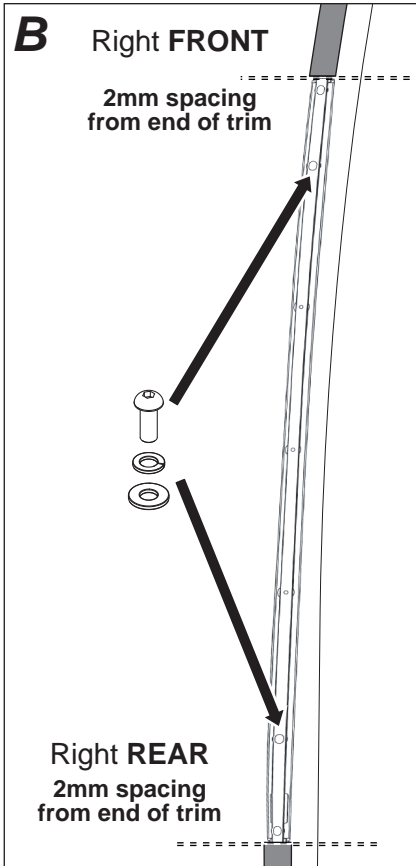
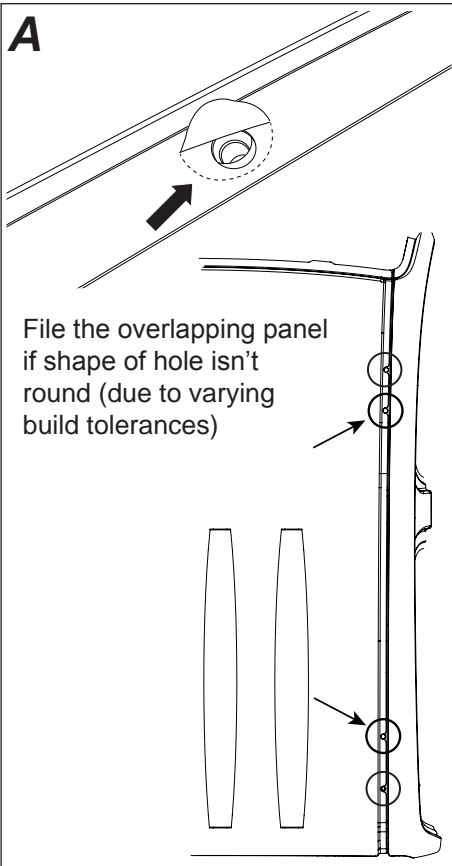


Any excess double sided tape left on the vehicle must be completely cleaned off for track fitment



4

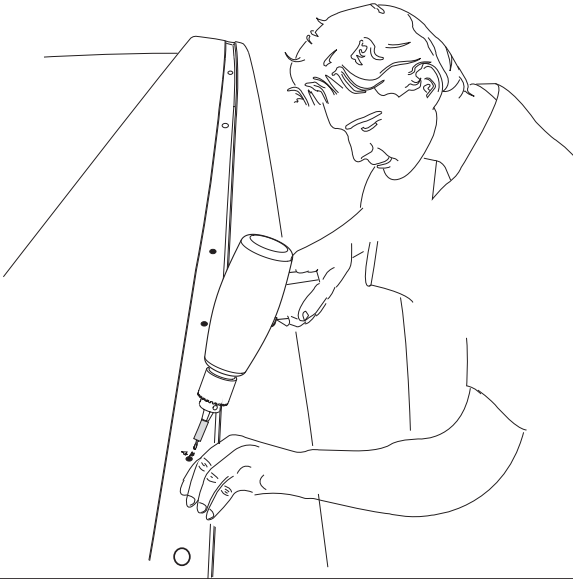
- A. Locate M8 nutserts by removing the cover tape. If the roof panel overlaps the hole and impedes on accessing the thread, carefully file the roof panel to make clearance for inserting the M8 bolt
- B. Align track by inserting M8 screws into position on the roof.
- C. Maintain downward pressure on the track while spot drilling all holes.



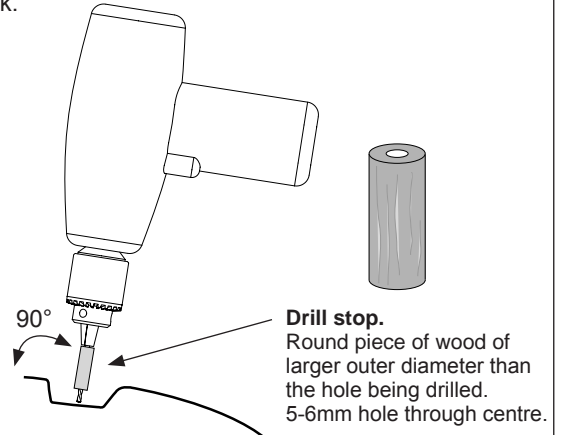


RTS527 Holden Colorado Dual Cab - Two Cross Bar Track Mount System

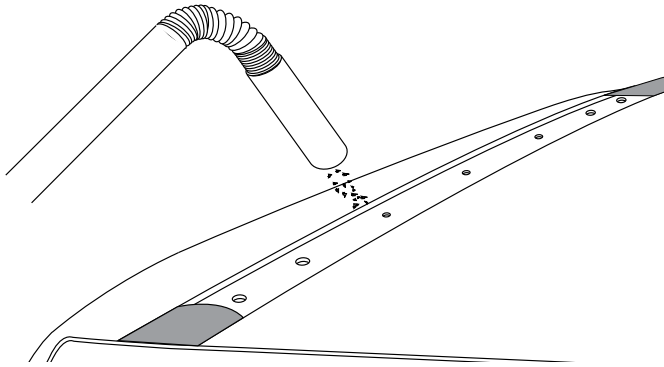
5



All 3 holes can now be drilled through. A drill stop must be used to prevent drilling through the hood lining on the inside. **Make sure that when drilling you hold the drill perpendicular to the roof angle.** The roof skin is approx. 2-3mm thick.



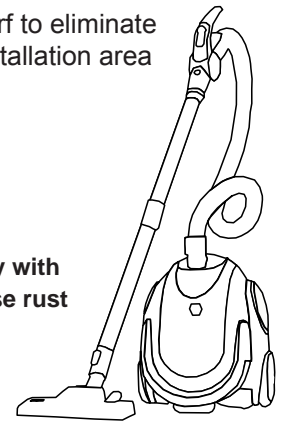
6



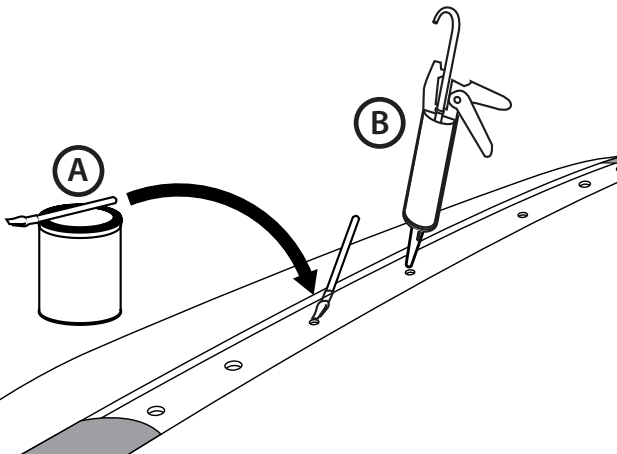
Use a vacuum to remove swarf to eliminate scratching. Wipe clean the installation area of the roof.



ALWAYS vacuum swarf.
NEVER blow swarf away with an air gun as it will cause rust



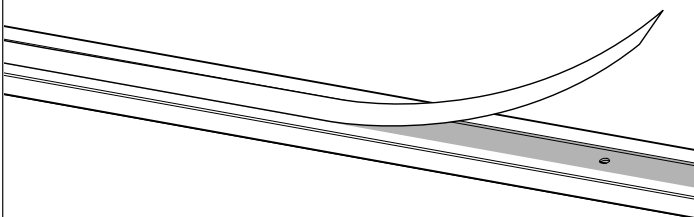
7



A. Apply a liberal amount of cold galvanizing solution to the inside and surrounds of all holes. Allow cold galvanizing solution to dry as per instructions (5-10 mins in hot, dry weather. Longer in cold, wet weather)

B. Apply a liberal amount of Selley's Butyl Mastic in and around each hole (including the threaded M8 nutserts). This is an important step for waterproofing the roof area.

8

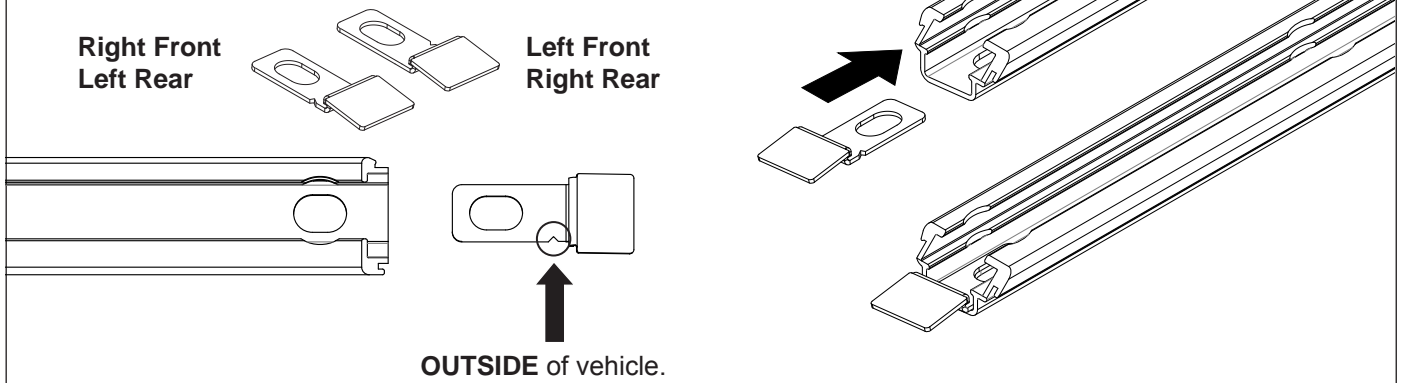


Peel the white backing strip off the track foam tape.

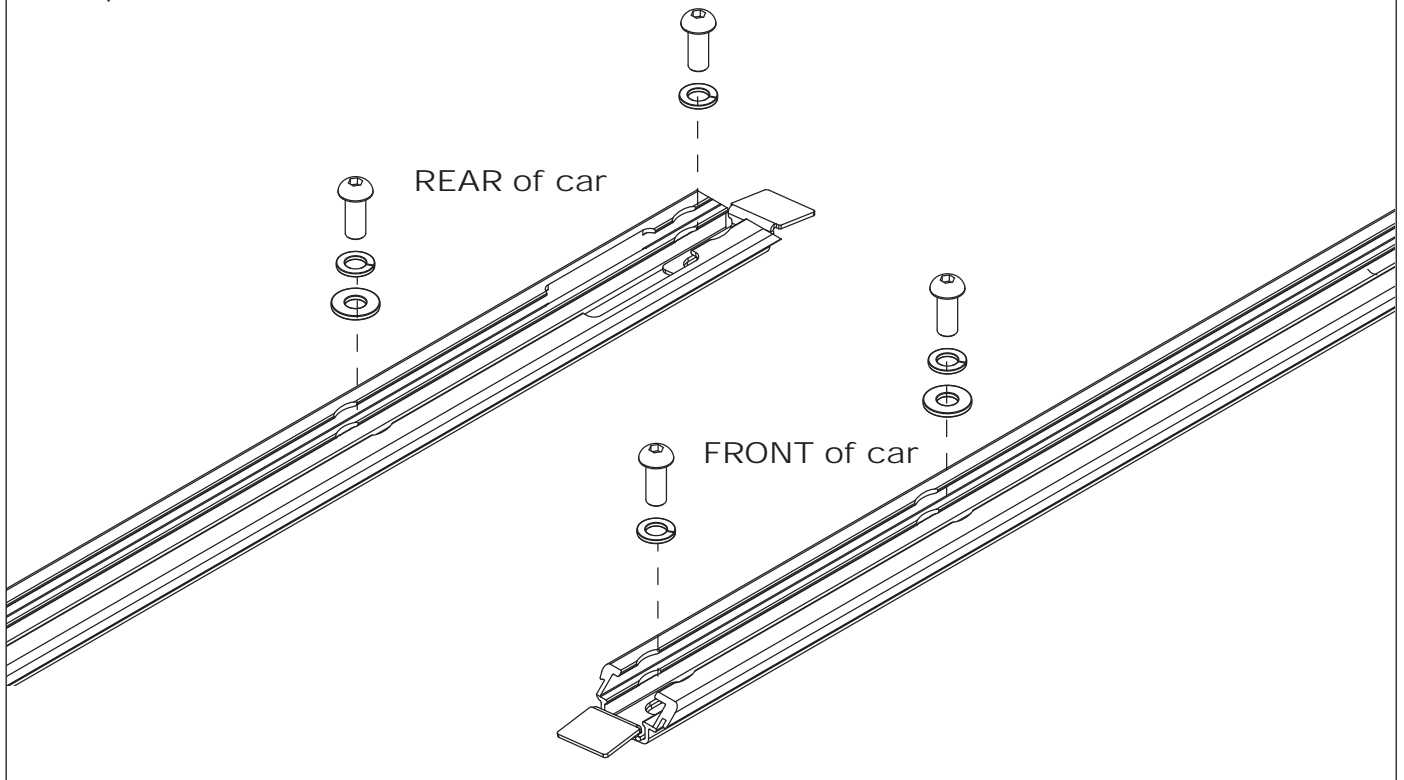


RTS527 Holden Colorado Dual Cab - Two Cross Bar Track Mount System

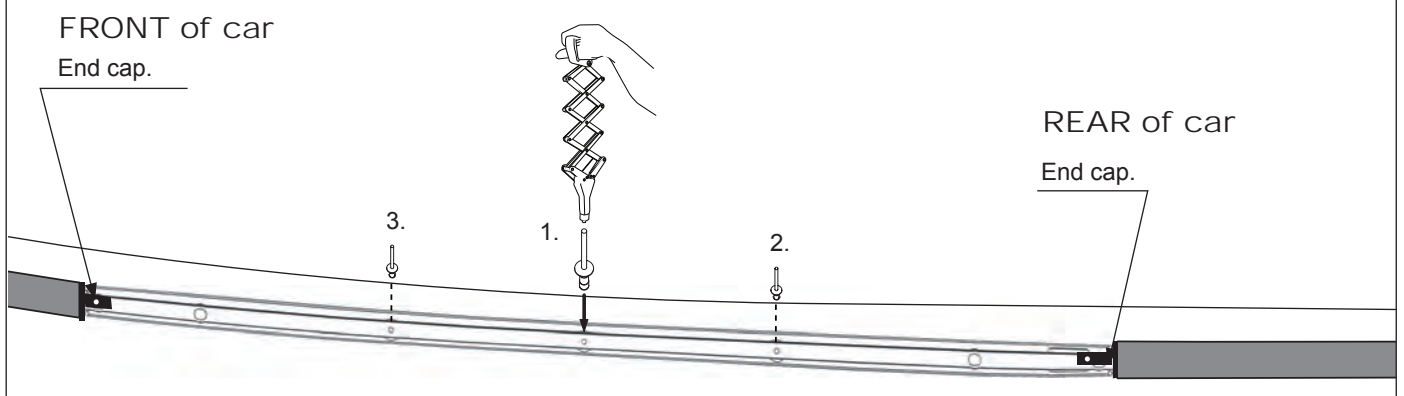
- 9** Insert the end caps at each end. Ensure that the profile of the end cap matches the ends as shown



- 10** Insert the M8 fastener assembly as shown. The M8 flat washers are not used at the ends where the end caps are.



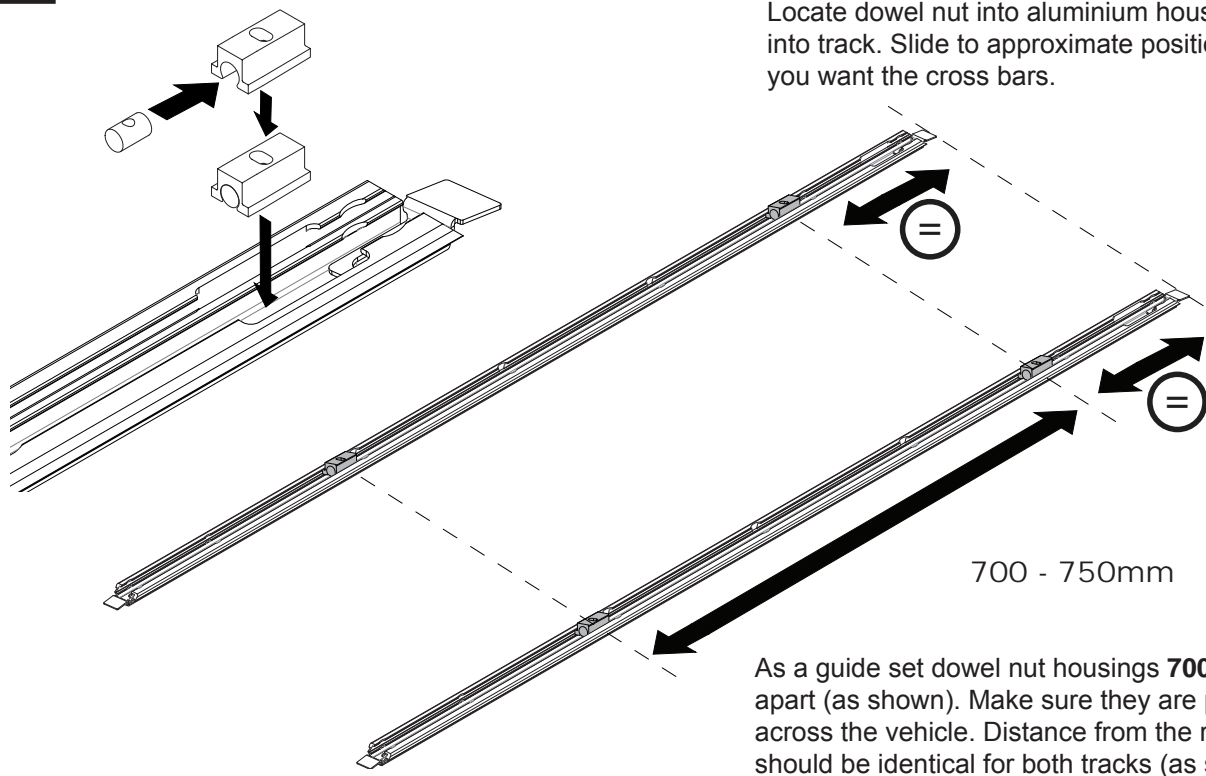
- 11** Line up and place all 3 rivets in their respective holes. With the assistance of a second person to maintain track alignment start riveting from the centre rivet. Follow the numerical riveting order as shown below. M8 holes at the ends will have the end caps.





To be used with RTL500 Leg Kit (SOLD SEPARATELY)

12

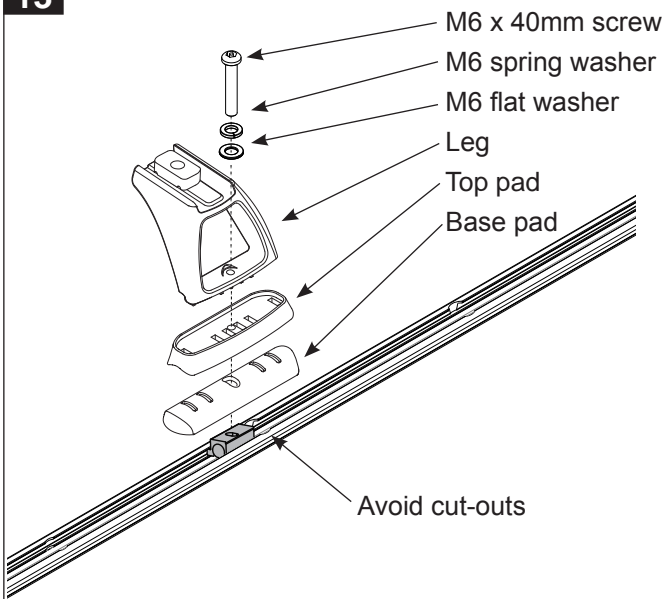


Locate dowel nut into aluminium housing. Slide into track. Slide to approximate position of where you want the cross bars.

700 - 750mm

As a guide set dowel nut housings **700-750mm** apart (as shown). Make sure they are parallel across the vehicle. Distance from the rear end cap should be identical for both tracks (as shown).

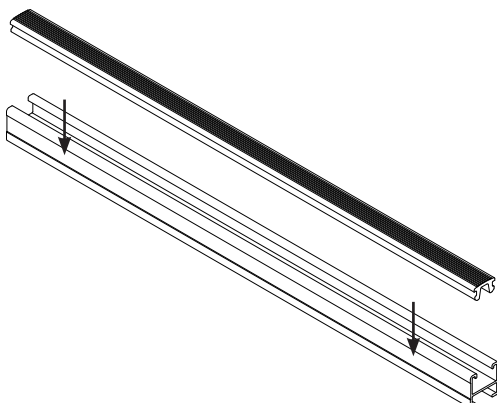
13



Attach the legs to track using supplied screws and washers. Finger tighten only.

Make sure to that aluminium dowel nut housing is not placed under cut-out holes in the track.

14

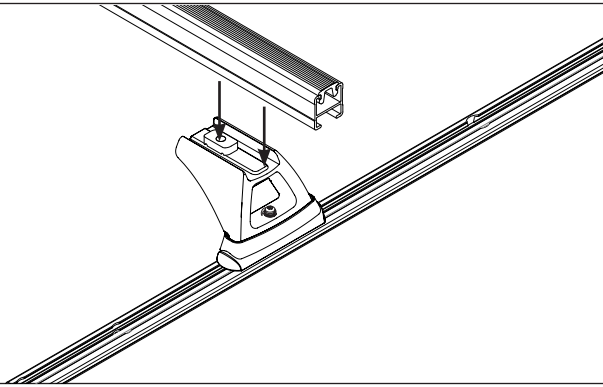


Insert crossbar rubber.



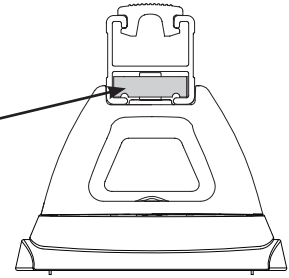
RTS527 Holden Colorado Dual Cab - Two Cross Bar Track Mount System

15



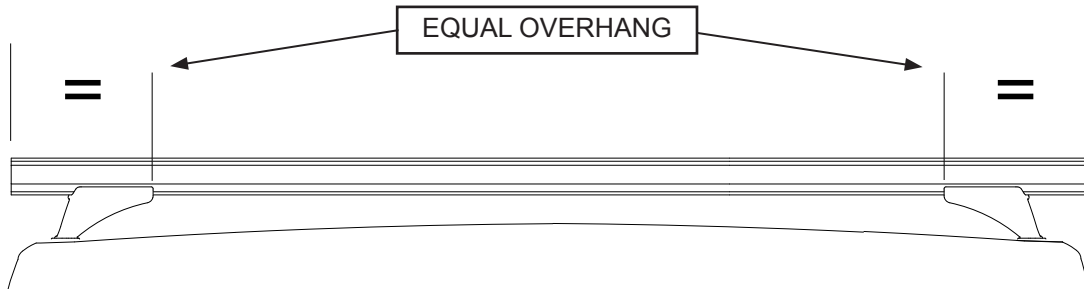
Attach crossbar.

Channel nut must fully locate across the bar.

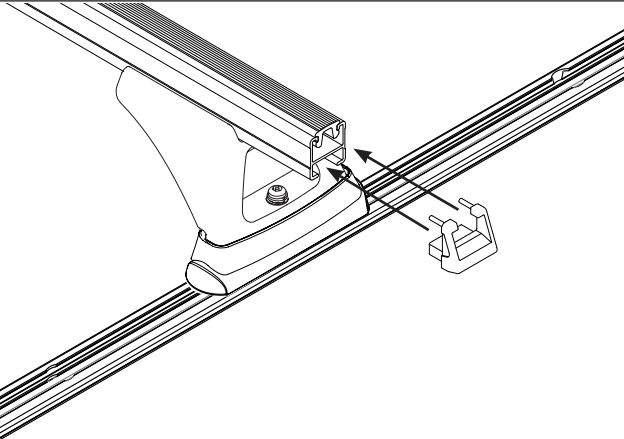


16

Adjust cross bar overhang to be equal both sides. Once adjusted tighten M10 crossbar bolts to **15-16 Nm (132-141 lbf.in)**. Then fasten M6 security screws to **3-4 Nm (26-35 lbf.in)**

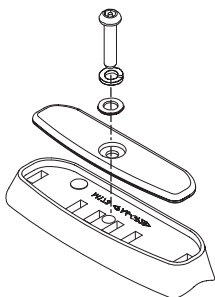


17



Fit end caps. A rubber mallet may be used to knock them in.

18



Pad cover plates are provided for when crossbars are removed.

WARRANTY INFORMATION

Rhino-Rack warrants your new product against any manufacturing faults for the period specified on our website, provided the terms and conditions of the warranty are met. Some exclusions apply. To qualify for warranty cover, you must fill out the online warranty registration form. You should ensure that you retain your original proof of purchase, which will be required for any warranty claim.

For all warranty terms and conditions, please visit the Rhino Rack website for details

www.rhinorack.com/warranty