



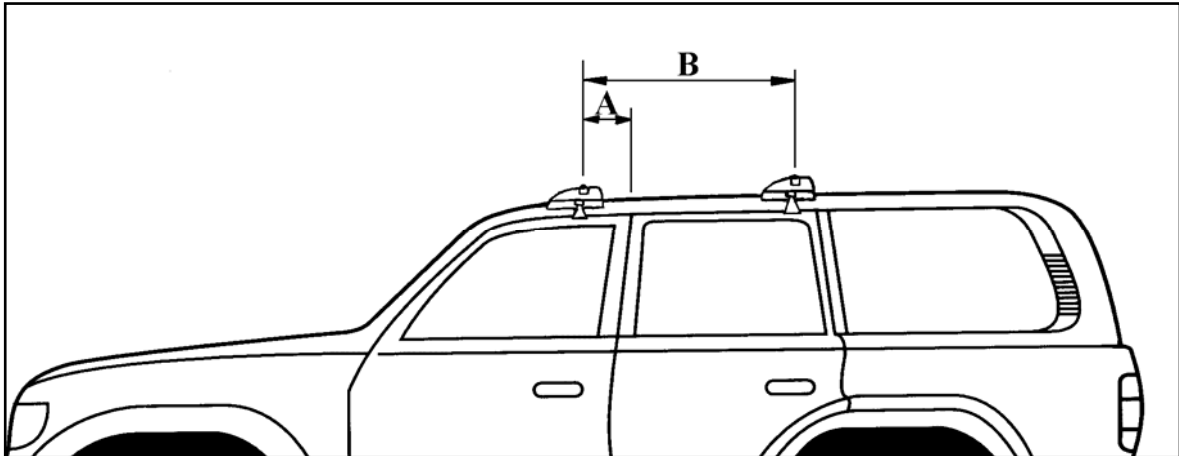
RHINO-RACK

Aerodynamic & Heavy Duty Roof Rack Systems

SPECIFICATION SHEET

RSS63

VEHICLE BRAND:	RANGE ROVER	YEAR MODEL:	95 ON
VEHICLE TYPE:	HSE	LOAD RATING:	50 kg



SPECIAL FITTING TIPS

Slide back slot cover to expose roof rack mounting points. (4 places see diagram.)

Fit clamping blocks in slots and tighten fixing bolts.

Position rubber feet over blocks and position rack assembly onto feet as shown in diagram.

Check that the cross bars are square to the centerline and parallel to each other. Tighten all bolts.

SPECIFICATIONS:

Front Bar- 100 cm

Rear Bar- 99 cm

A - REFER TIPS

B - REFER TIPS

Manufactured By Rhino-Rack

3 Pike St Rydalmere,

NSW 2116, Australia

(Ph) 02 9638 4744

(Fax) 02 9638 4722

