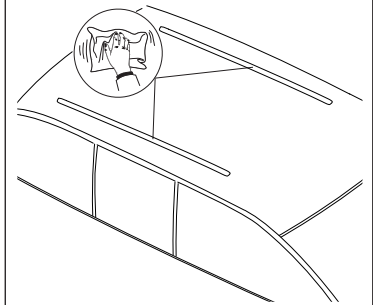
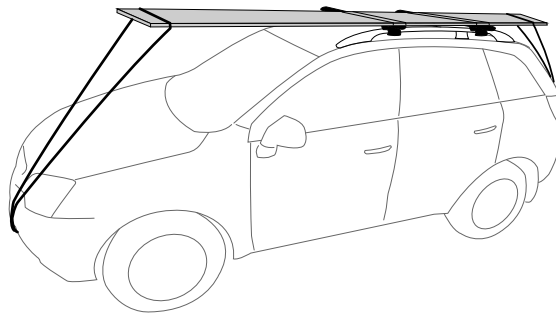
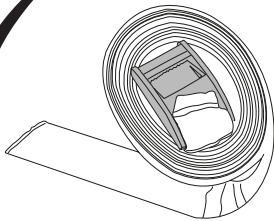
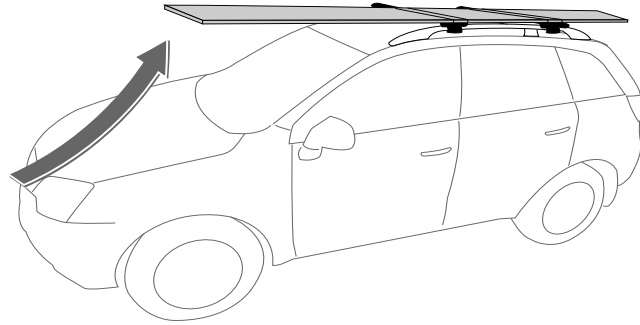




RHINO-RACK

Aerodynamic & Heavy Duty Roof Rack Systems

RSS148 - VW Touareg/Porsche Cayenne Two Crossbar System



Max: 60kg (132lbs).

**Always refer to vehicle manufacturers handbook for maximum roof loading.
Always use lower of the two figures.**

Recommendations:

It is essential that all bolt connections be checked after driving a short distance when you first install your crossbars. Bolt connections should be checked again at regular intervals (probably once a week is enough, depending on road conditions, usage, loads and distances travelled). You should also check the crossbars each time they are refitted. Make sure to fasten your load securely. Please ensure that all loads are evenly distributed and that the centre of gravity is kept as low as possible.

Crossbars must be removed when putting vehicle through an automatic car wash.

Use only non-stretch fastening ropes or straps.

Caution: The handling characteristics of the vehicle changes when you transport a load on the roof. For safety reasons we recommend you exercise extreme care when transporting wind-resistant loads. Special consideration must be taken into account when cornering and braking.

Load Ratings:

Maximum permissible load is 60kg (132lbs) for two crossbars including the weight of the crossbars, 5kg (11lbs). When crossbars are to be used in off-road conditions, please build a safety factor of 1.5 into this load limit for off-road use, two crossbars = **40kg 88lbs**). Although the crossbars are tested and approved to AS1235-2000, Off road conditions can be much more rigorous. However, increasing the number of crossbars does not increase the vehicles maximum permissible roof loading.

Note for Dealers and Fitters:

It is your responsibility to ensure instructions are given to the end user or client.

Rhino-Rack
3 Pike Street, Rydalmere,
NSW 2116, Australia.
(Ph) (02) 9638 4744
(Fax) (02) 9638 4822

Document No: RS96
Prepared By: Craig Jones
Authorised By: Chris Murty

Issue No: 03
Issue Date: 03/05/2011

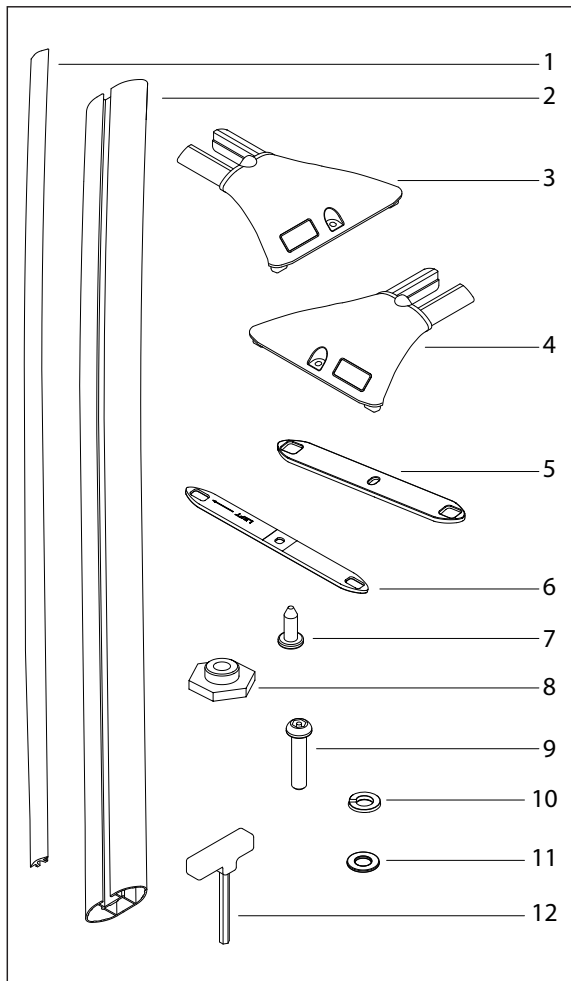
These instructions remain the property of Rhino-Rack Australia Pty. Ltd. and may not be used or changed for any other purpose than intended.



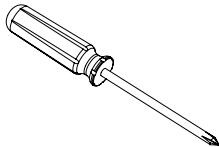
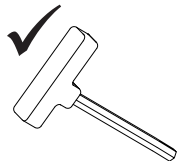
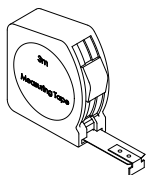
RSS148

Parts List

Item	Component Name	Qty	Part No
1	Buffer strip 835mm	2	R011
2	Crossbar 835mm	2	A155
3	RSS leg (Right)	2	M014
4	RSS leg (Left)	2	M013
5	Leg wedge (Right)	2	M024
6	Leg wedge (Left)	2	M025
7	10G x 1/2" phillips screw	4	B045
8	M6 brass spigot nut	4	N042
9	M6 x 23mm security screw	4	B132
10	M6 spring washer	4	W004
11	M6 x 12.5mm flat washer	4	W003
12	5mm security allen key	1	SECKEY-S
13	Fitting instruction	1	RS96

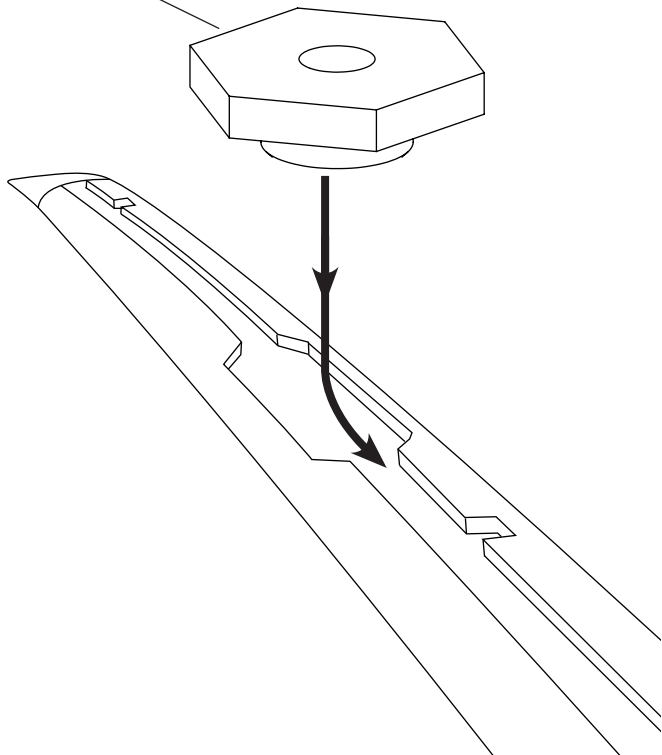


Tools:

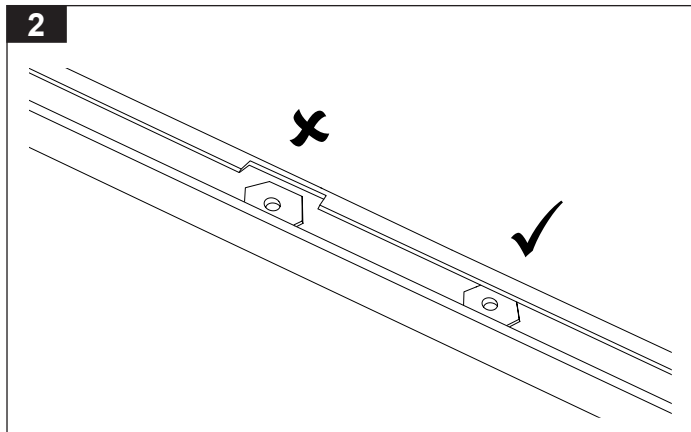


1

Item 8



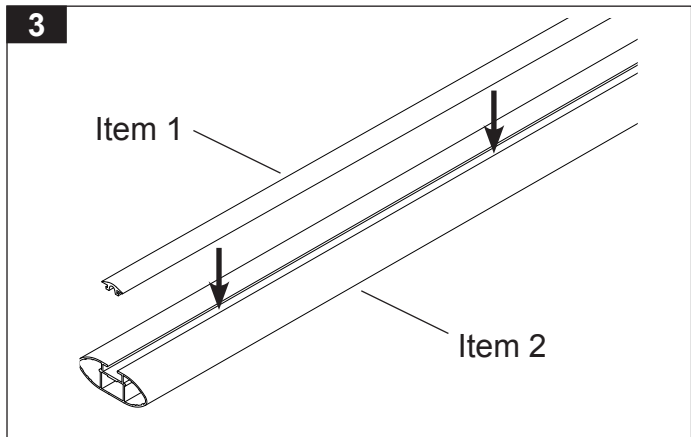
2



3

Item 1

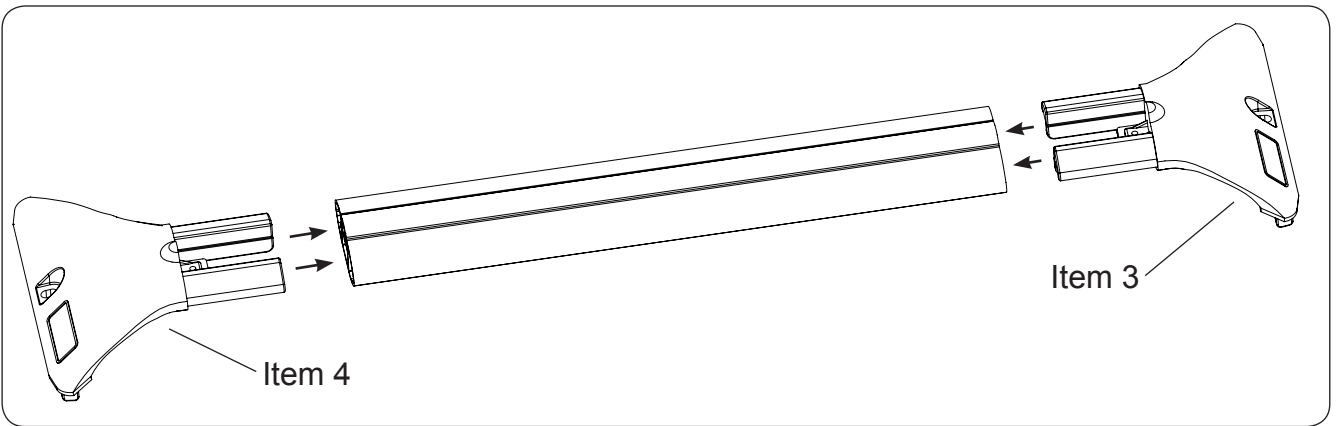
Item 2



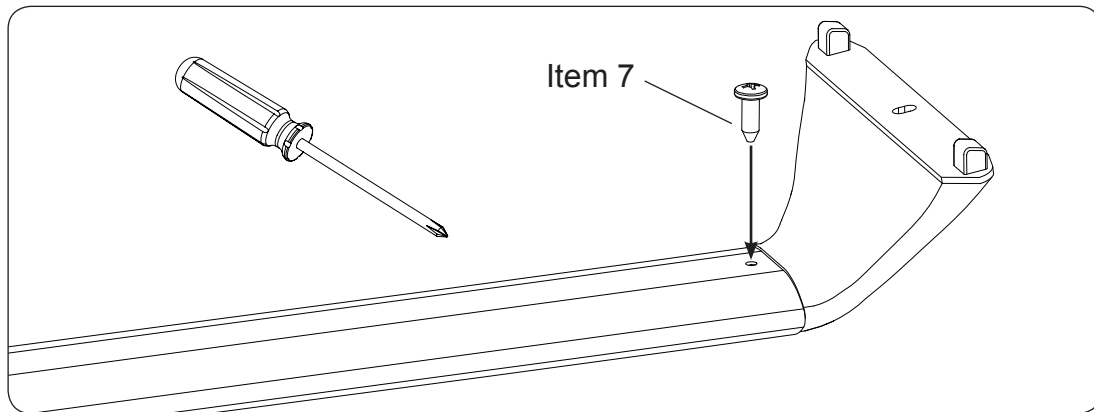


RSS148

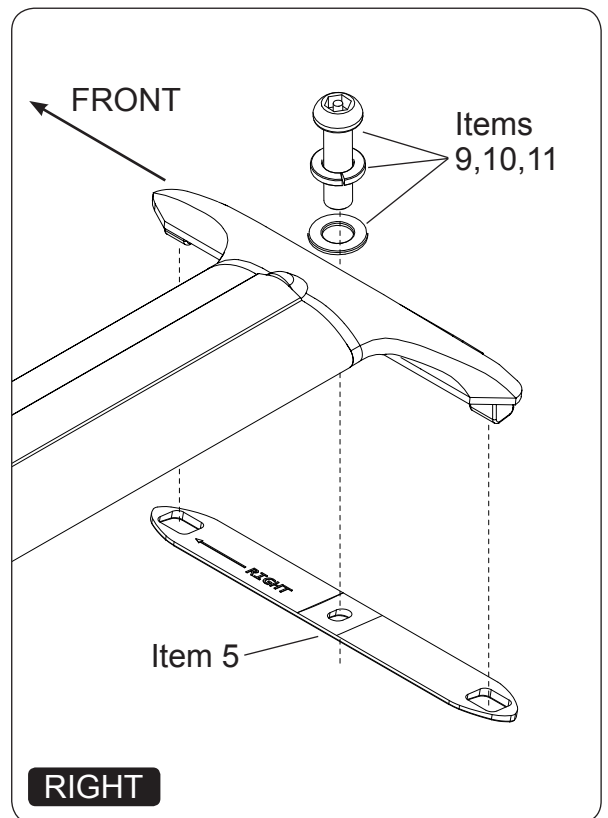
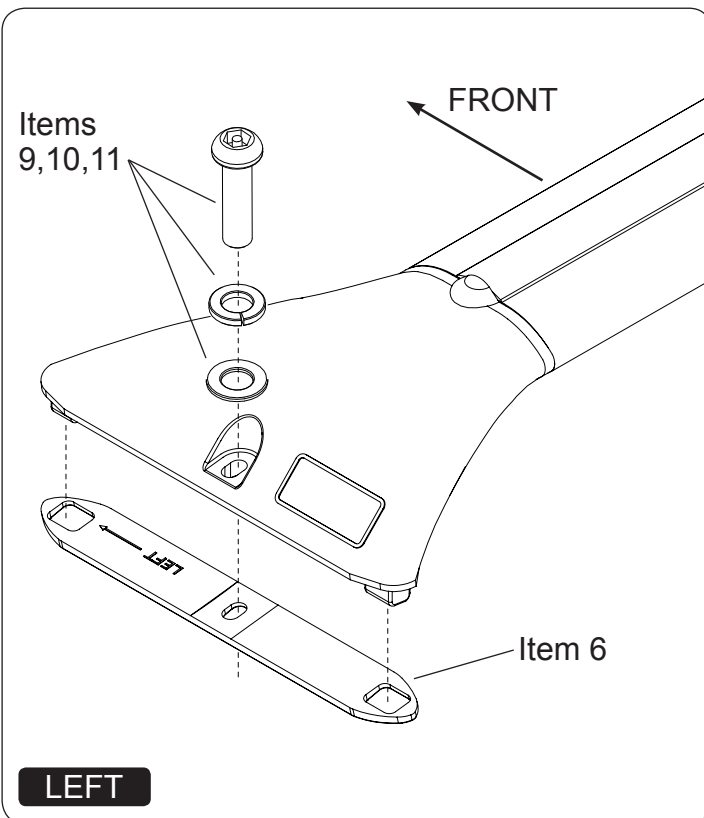
4



5



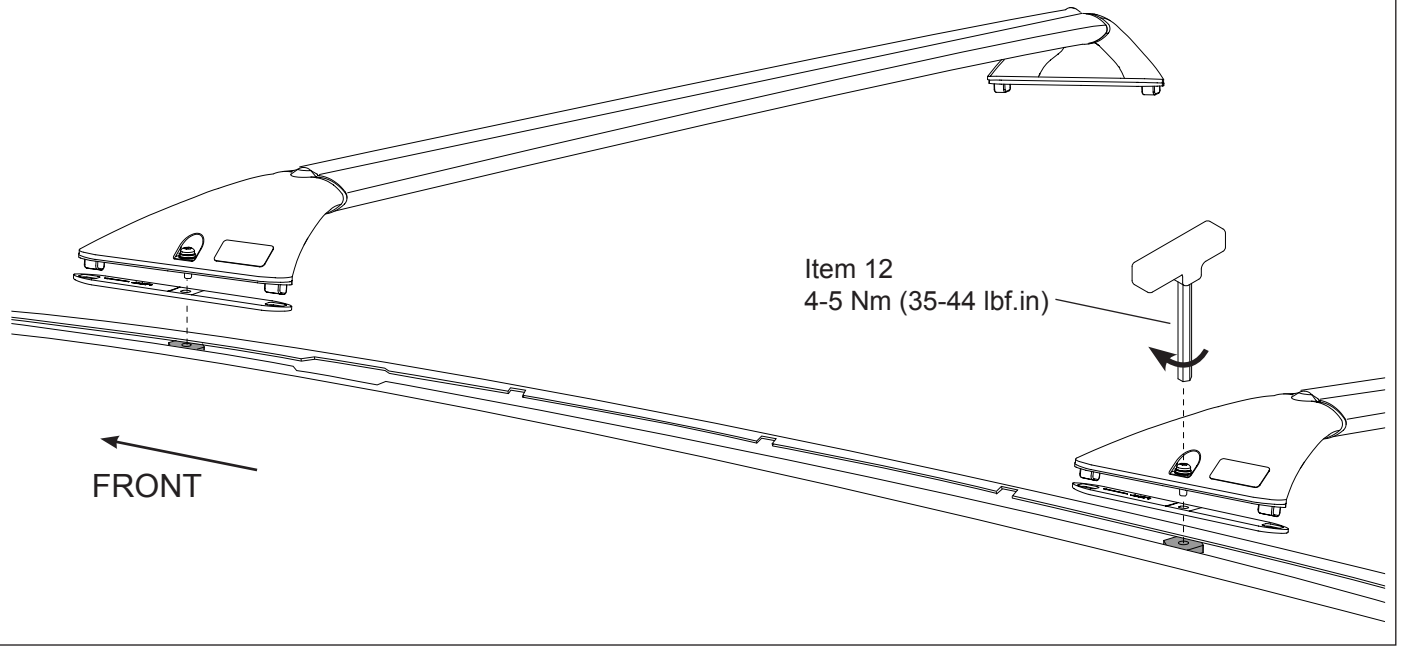
6





RSS148

7



8

