



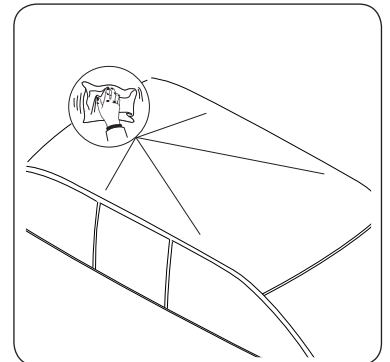
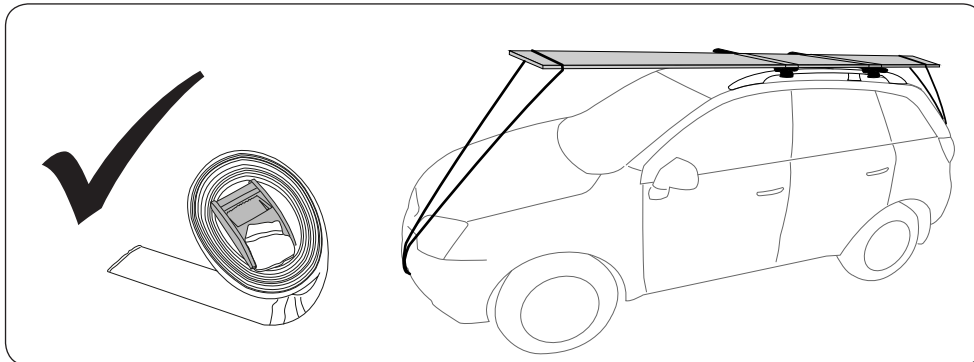
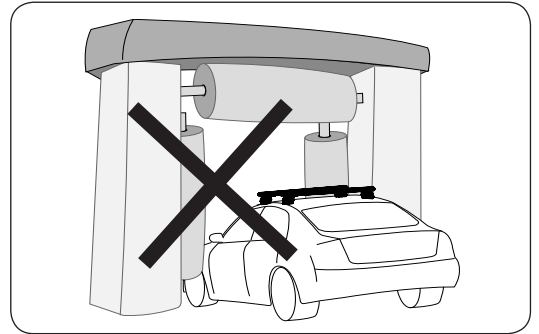
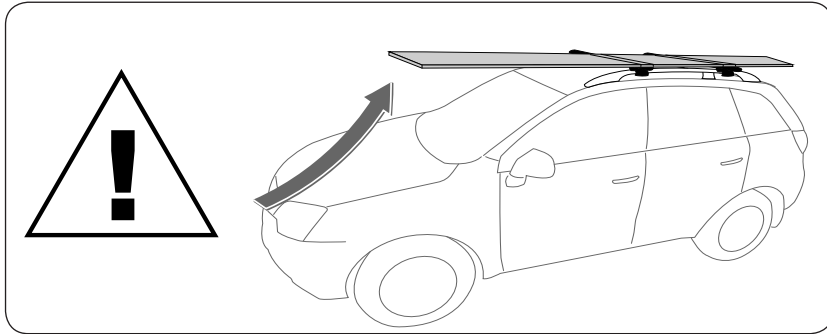
# RHINO-RACK

Aerodynamic & Heavy Duty Roof Rack Systems

## RSP26 Rhino Sportz Two Crossbar System Great Wall X200/X240 MY2011>

**Important:**

Please read these instructions prior to installation.  
Check contents of kit before commencing fitment and report any discrepancies.  
Place these instructions in vehicle's glovebox after installation is complete.



**Maximum roof load: 75kg**

**Refer to vehicle manufacturers handbook for maximum roof loading. Always use lower of the two figures.**

**Recommendations:**

It is essential that all bolt connections be checked after driving a short distance when you first install your crossbars. Bolt connections should be checked again at regular intervals (probably once a week is enough, depending on road conditions, usage, loads and distances travelled). You should also check the crossbars each time they are refitted. Make sure to fasten your load securely. Please ensure that all loads are evenly distributed and that the centre of gravity is kept as low as possible.

**Crossbars must be removed when putting vehicle through an automatic car wash.**

**Carrying Loads:** Use only non-stretch fastening ropes or straps to secure your load.

**Caution:** The handling characteristics of the vehicle change when you transport a load on the roof. For safety reasons we recommend you exercise extreme care when transporting wind-resistant loads. Special consideration must be taken into account when cornering and braking.

**Load Ratings:**

Maximum permissible load is 75kg (165lbs) for two crossbars including the weight of the crossbars, 5kg (11lbs). When crossbars are to be used in off-road conditions, please build a safety factor of 1.5 into this load limit for off-road use, two crossbars = **50kg 110lbs**). Although the crossbars are tested and approved to AS1235-2000, off-road conditions can be much more rigorous. However, increasing the number of crossbars does not increase the vehicles maximum permissible roof loading.

**Note for Dealers and Fitters:**

It is your responsibility to ensure instructions are given to the end user or client.

Rhino-Rack  
3 Pike Street, Rydalmere,  
NSW 2116, Australia.  
(Ph) (02) 9638 4744  
(Fax) (02) 9638 4822

Document No: R147  
Prepared By: Scott Murray  
Authorised By: Chris Murty

Issue No: 02  
Issue Date: 26/03/2012

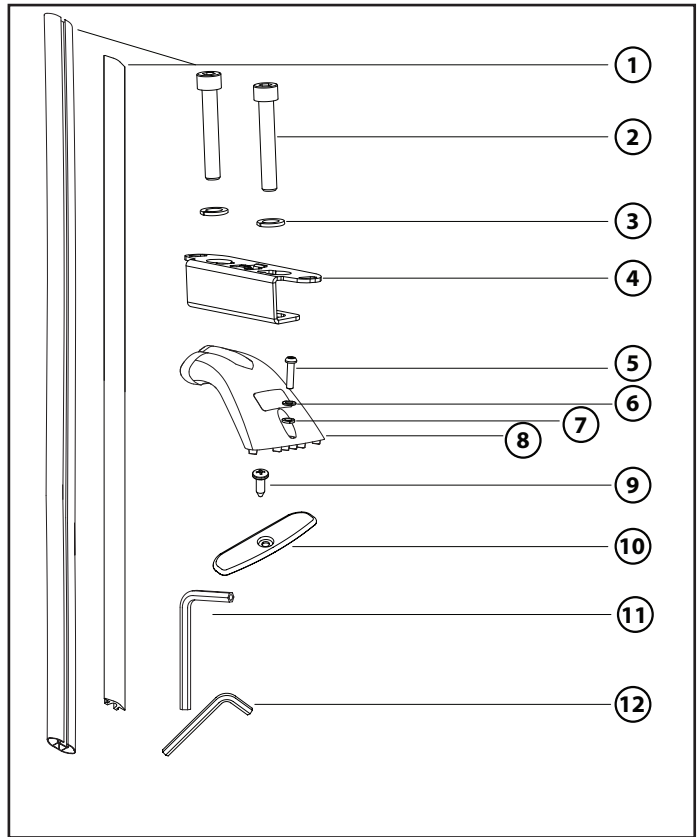
These instructions remain the property of Rhino-Rack Australia Pty. Ltd. and may not be used or changed for any other purpose than intended.



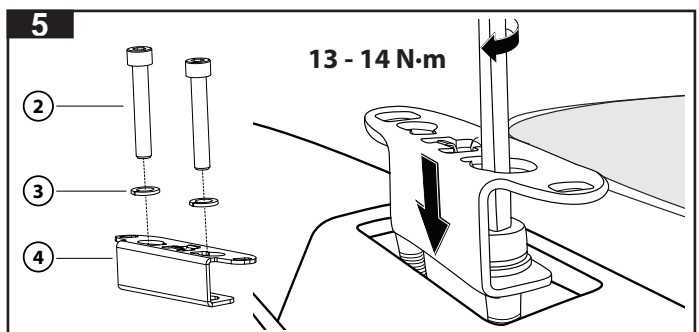
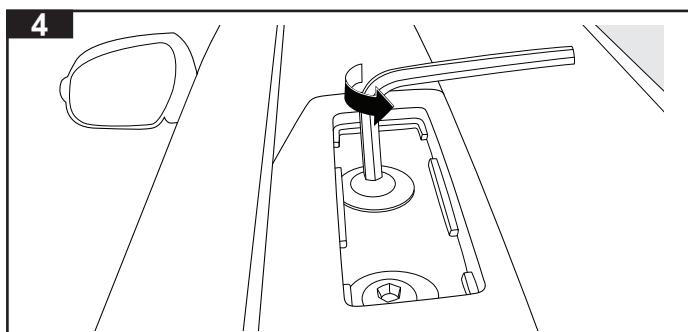
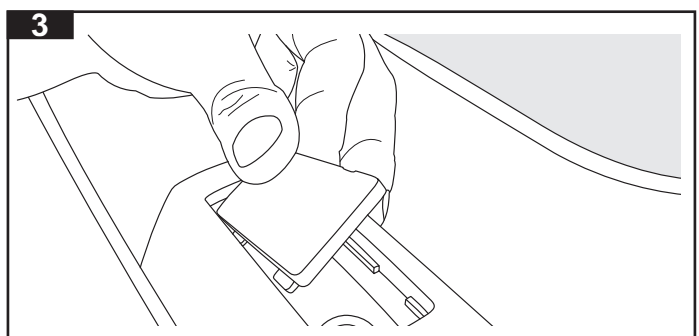
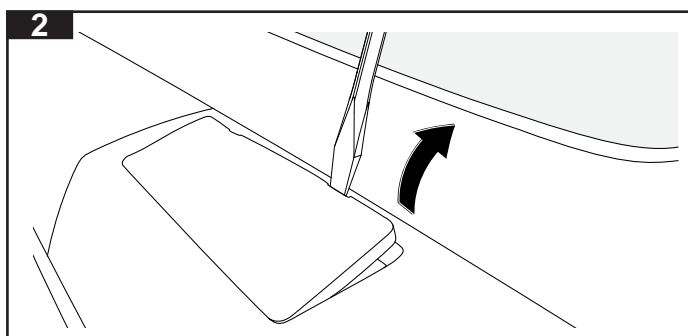
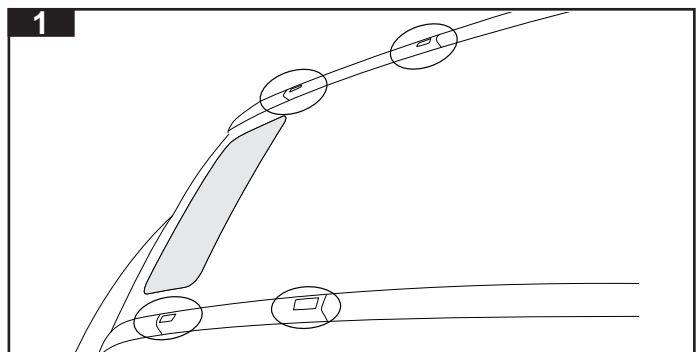
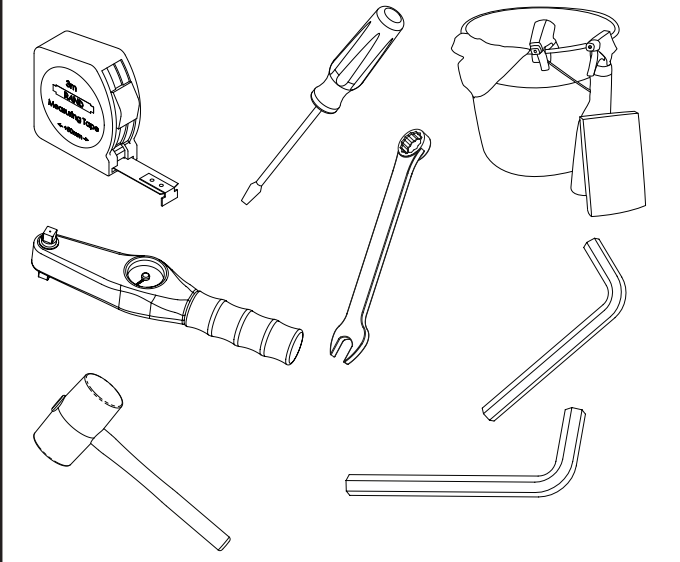
# Great Wall X200/X240 (RSP26)

## Parts List

Item	Component Name	Qty	Part No.
1	Crossbars/Rubber: (F) 875mm (R) 826mm	2	A155/R011
2	M8 x 45mm Socket Cap Screw	8	B187
3	M8 Spring Washer	8	W019
4	Bracket	4	CA1055
5	M6 x 25mm Security Screw	4	B137
6	M6 Spring Washer	4	W004
7	M6 Flat Washer	4	W003
8	RSPL Leg	4	M509
9	10G x 1/2" Pan Head Phillips Screw	4	B045
10	Cover Plate	4	M126
11	6mm Allen Key	1	H009
12	5mm Allen Key	1	H021
13	Fitting Instructions	1	R146

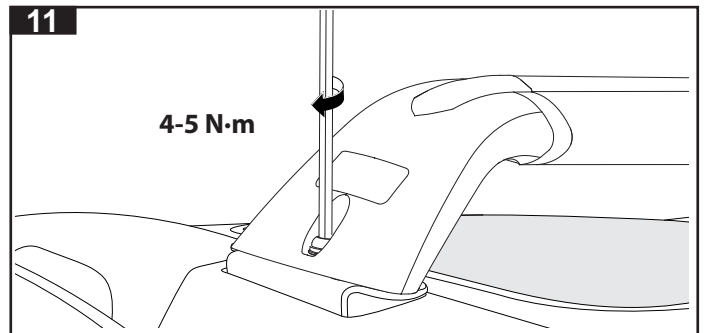
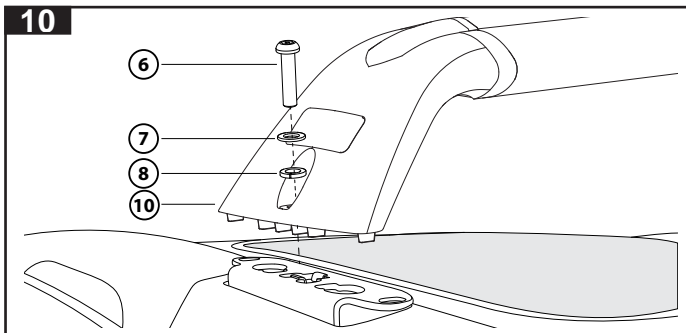
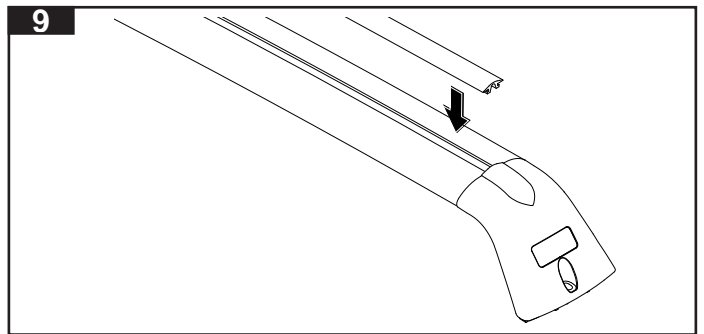
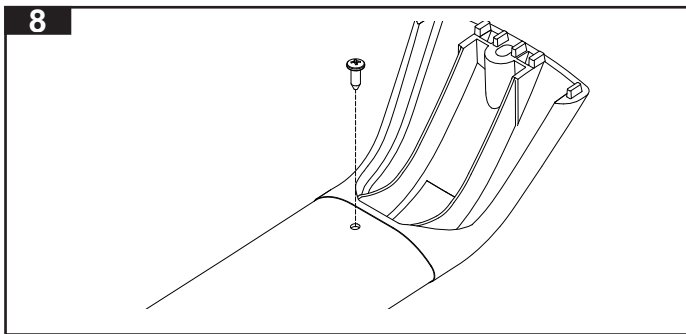
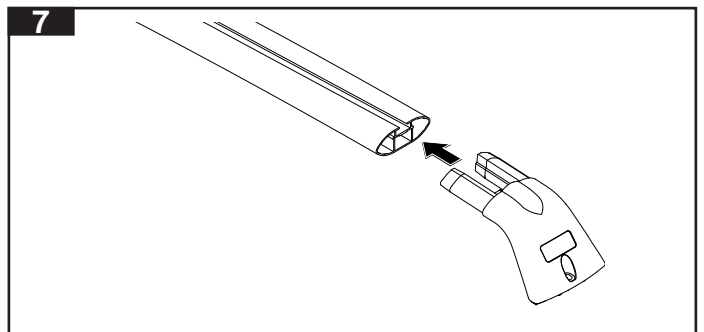
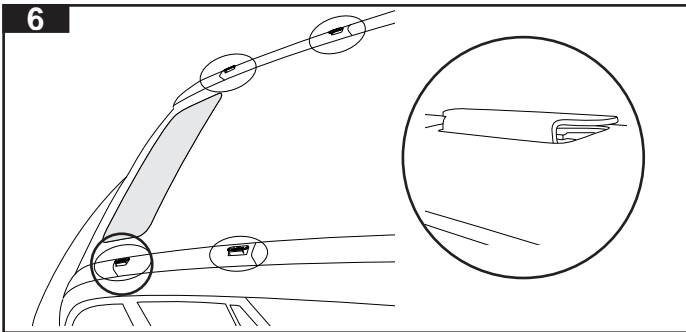


## Tools Required





# Great Wall X200/X240 (RSP26)



## When crossbars are removed

