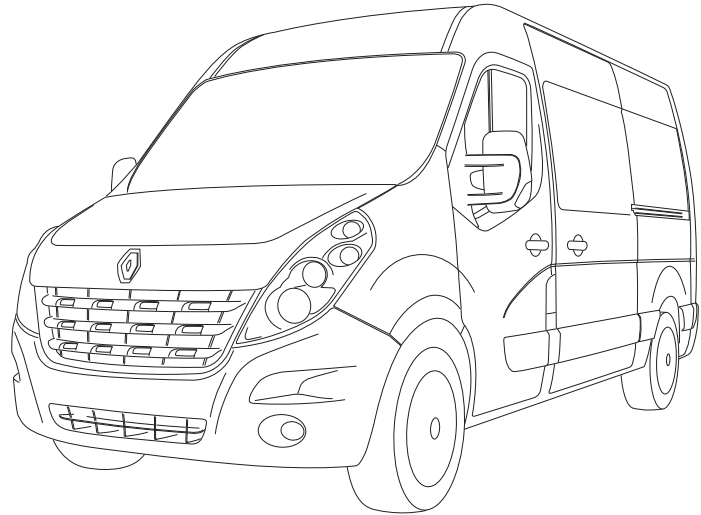




# RHINO-RACK

## RLTPRM Crossbar System

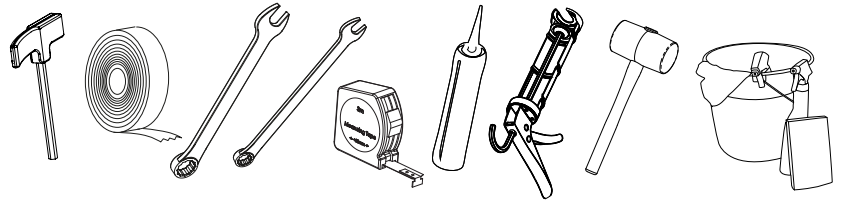
**RENAULT MASTER X62**  
**OPEL MOVANO**  
**VAUXHALL MOVANO**  
**NISSAN NV400**



### Tools required:

1.8M step ladder.  
5mm security Allen key  
(supplied).  
Masking tape.  
16mm spanner.  
13mm spanner.

Measuring tape.  
Butyl mastic.  
Caulking gun.  
Rubber mallet.  
Cleaning products.



**Maximum roof load capacity: 100kg (220lbs) evenly distributed over all crossbars. Please refer to your vehicle manufacturer's handbook for the maximum roof loading of your vehicle. Always use the lower of the two figures.**

### Recommendations:

It is essential that all bolt connections be checked after driving a short distance when you first install your crossbars. Bolt connections should be checked for tension and lubricated at regular intervals (probably once a week is enough, depending on road conditions, usage, loads and distances travelled). You should also check the crossbars each time they are refitted. Make sure to fasten your load securely. Please ensure that all loads are evenly distributed and that the centre of gravity is kept as low as possible.

**Crossbars must be removed when putting vehicle through an automatic car wash.**

**Use only non-stretch fastening ropes or straps.**

**Caution:** The handling characteristics of the vehicle changes when you transport a load on the roof. For safety reasons we recommend you exercise extreme care when transporting wind-resistant loads. Special consideration must be taken into account when cornering and braking.

### Load Ratings:

Maximum permissible load is 100kg (220lbs) for two crossbars including the weight of the crossbars, 5kg (11lbs). When crossbars are to be used in off-road conditions, please build a safety factor of 1.5 into this load limit for off-road use, two crossbars = 66kg (145lbs). Although the crossbars are tested and approved to AS1235-2000, Off-road conditions can be much more rigorous. However, increasing the number of crossbars does not increase the vehicles maximum permissible roof loading.

### Note for Dealers and Fitters:

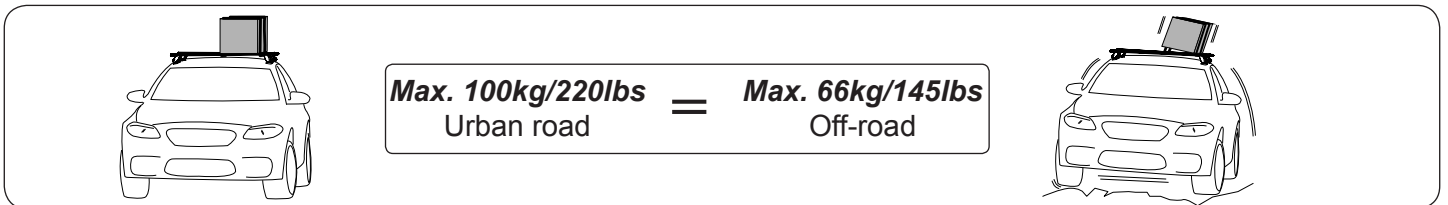
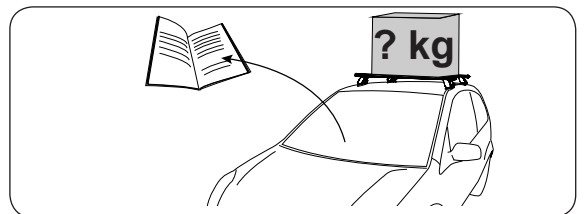
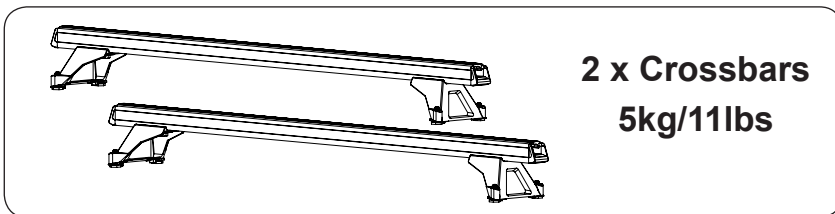
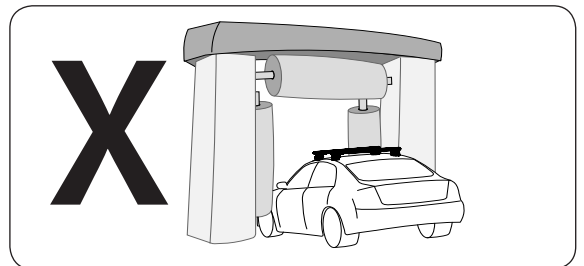
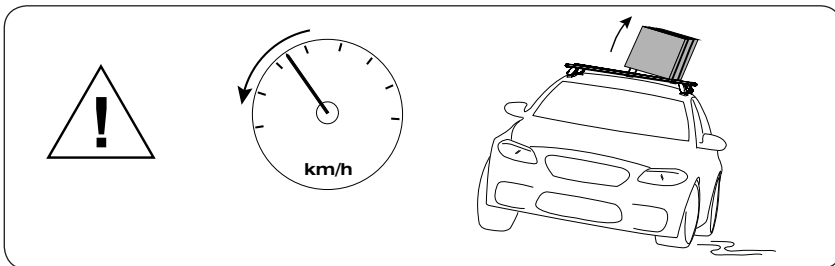
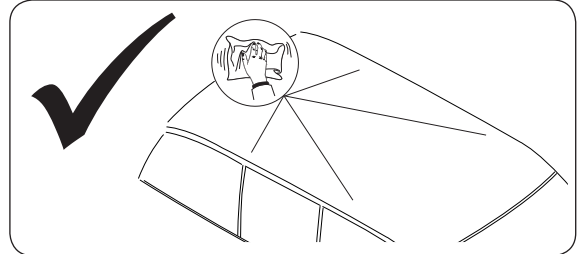
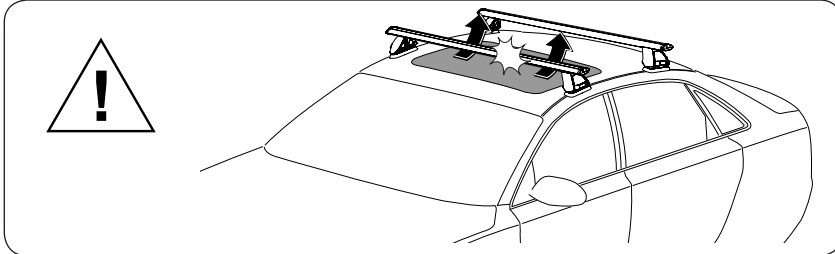
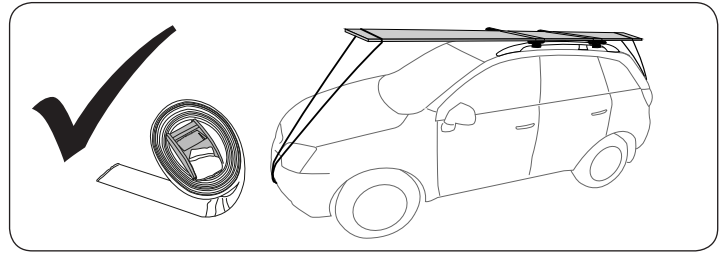
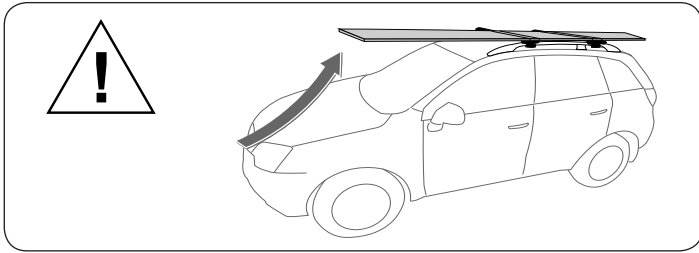
It is your responsibility to ensure instructions are given to the end user or client.

Rhino-Rack  
3 Pike Street, Rydalmere,  
NSW 2116, Australia.  
(Ph) (02) 9638 4744  
(Fax) (02) 9638 4822

Document No: R255  
Prepared By: Craig Jones  
Authorised By: Chris Murty

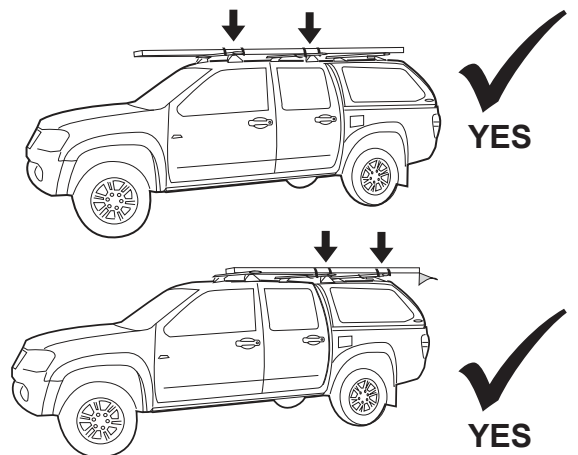
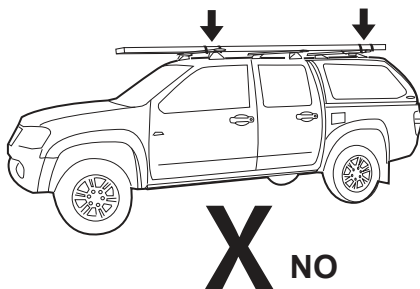
Issue No: 01  
Issue Date: 07/05/2013

These instructions remain the property of Rhino-Rack Australia Pty. Ltd. and may not be used or changed for any other purpose than intended.



## WARNING! Important Load Carrying Instructions

With utility vehicles, the cabin and the canopy move independently. Roofracks and vehicle can be damaged if the item transported is rigidly fixed at points on both the cabin and canopy. Instead, rigidly fix to either the cabin roofracks or the canopy roofracks.



















- Please refer to your vehicle manufacturers handbook for maximum roof load capacity.
- Any load transported on Roof Racks must be evenly distributed.
- Instructions are to remain with the vehicle.
- Do not attempt to fit the roof racks to your vehicle unless you fully read and understand the fitting instructions provided.
- Please direct any questions to the dealer from where the roof racks were purchased.
- Check the contents of this kit before commencing fitment and report any discrepancies.





# RLTPRM

## Leg Kit sold separately.

Item	Component Name	Qty.	Part No.	
1	50mm Leg	2	M057	
2	M6 cage nut	4	N017	
3	Leg bracket external	2	CA1190	
4	Leg bracket internal	2	CA1191	
8	M6 spring washer	4	W004	
9	M6 flat washer	4	W003	
10	M6 x 35mm security screw	4	B092	
12	M8 nyloc nut	4	N028	
12	M8 flat washer	4	W020	
13	M10 flat washer	2	W023	
14	M10 shakeproof washer	2	W021	
15	M10 x 20mm hex bolt	2	B071	
16	M10 channel nut	2	N024	
17	Crossbar end cap	2	M002	
18	5mm Torque Allen key	1	TORKEY-S	
19	Fitting instruction	1	R255	

## Crossbars sold separately.

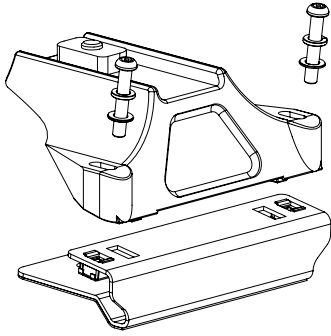
1500mm is the standard crossbar length. 1650mm crossbars can be used and will provide more overhang.

Component Name	Part No.	
1500mm HD Bar Silver	RB1500S	
1500mm HD Bar Black	RB1500B	
1650mm HD Bar Silver	RB1650S	
1650mm HD Bar Black	RB1650B	
1500mm Aero Bar Silver	RAB1500S	
1500mm Aero Bar Black	RAB1500B	
1650mm Aero Bar Silver	RAB1650S	
1650mm Aero Bar Black	RAB1650B	



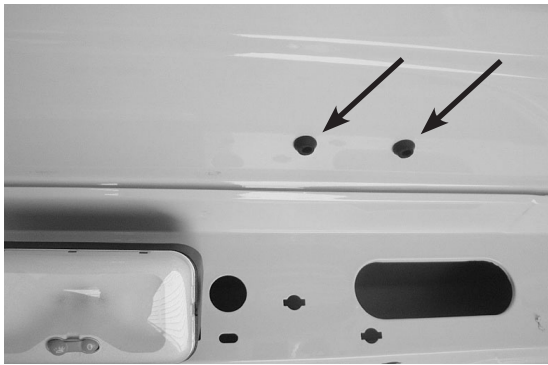
## RLTPRM

1



Prepare each leg/bracket assembly for installation using an M6 flat washer, M6 spring washer and M6 x 35mm screw on each side of the leg. Finger tighten only at this stage.

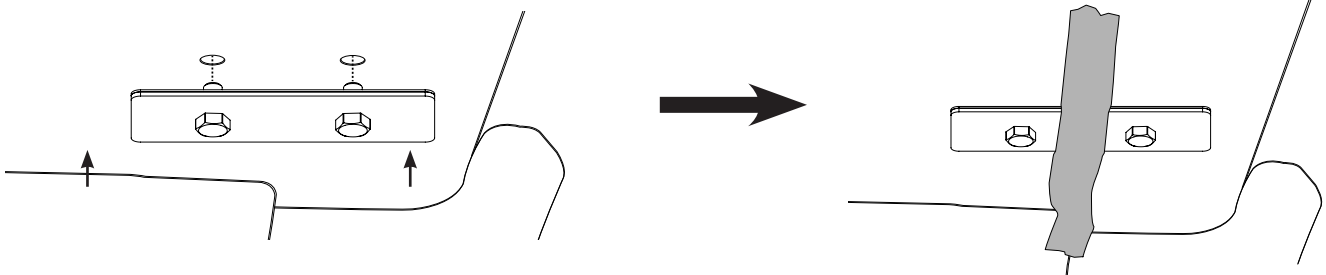
2



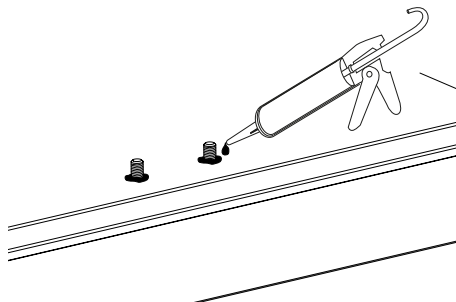
Locate the rubber plugs on the roof of the vehicle. Remove the rubber plugs by pushing them out through the top of the roof from inside the vehicle. Only remove the required amount of plugs for the amount of crossbars being fitted.

3

Fit the internal bracket (item 4) through the roof holes. Hold the bracket in place with masking tape.

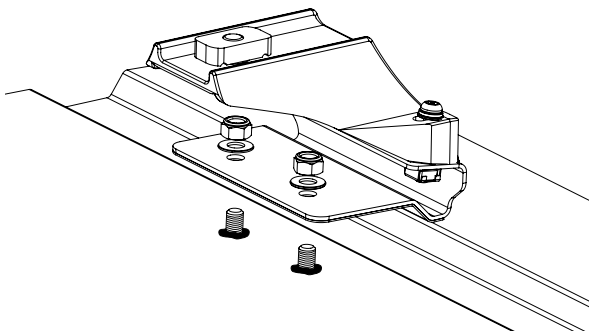


4



From on top of the roof apply Butyl Mastic sealer to the holes and around the protruding bolts on each of the inside brackets.

5

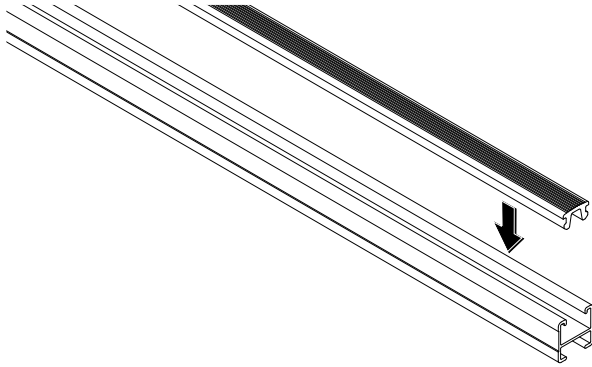


Carefully attach each external leg/bracket assembly to the protruding M8 bolts of the internal bracket using two of the M8 flat washers and M8 nyloc nuts. Tighten M8 nuts to 8-9 Nm (6-7 lb/ft).



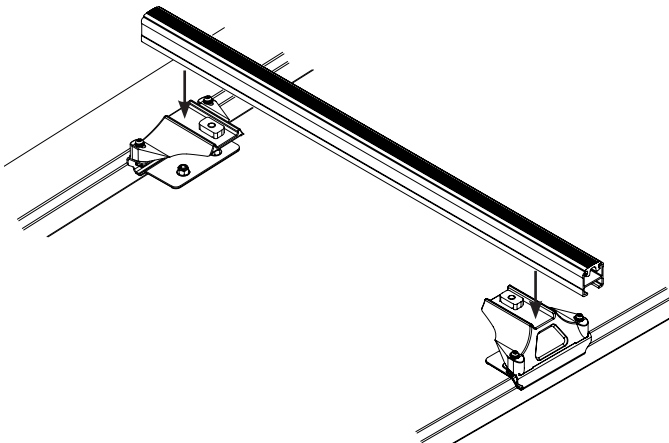
## RLTPRM

6

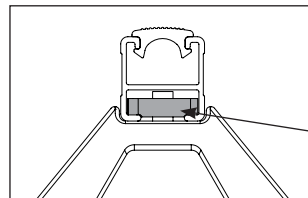


Insert a rubber buffer strip into the top of each crossbar.

7



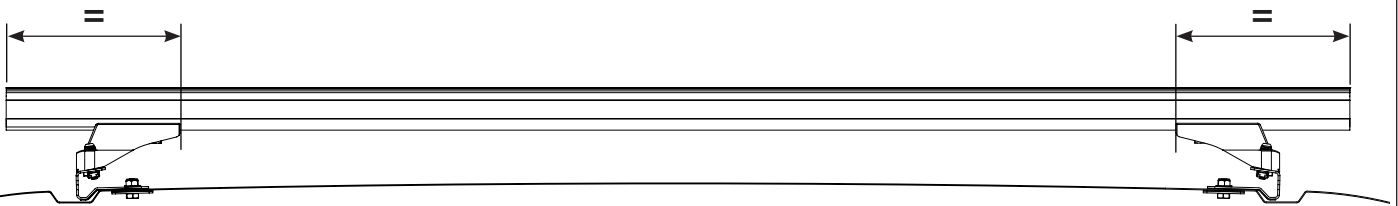
Place crossbars (Heavy Duty shown) onto the Legs. Lightly finger tighten the M10 bolt. Fasten the M6 x 35mm screws on the leg to 3-4 Nm (2-3 lb/ft) using the Torque Key supplied.



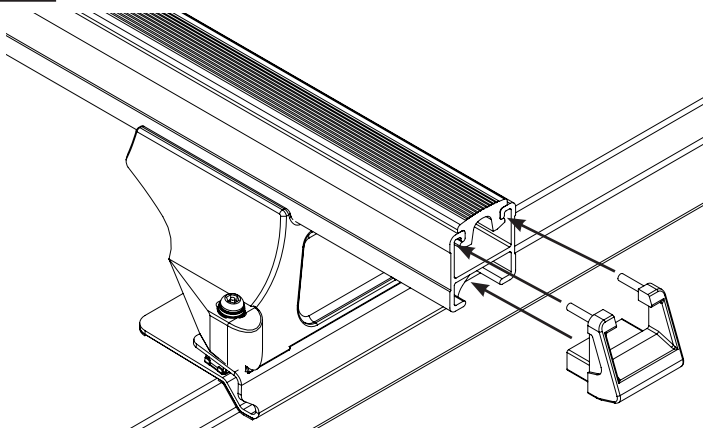
Channel nut must locate across the bar when tight.

8

Adjust the crossbars until the overhang is equal on both sides. If using Heavy Duty crossbars fasten the M10 bolts 13-14 Nm (9-10 lb/ft). If using Aero bars refer to the fitting instruction supplied therein.



9



Fit end caps to all crossbars. A rubber mallet may be used to gently knock them in.