



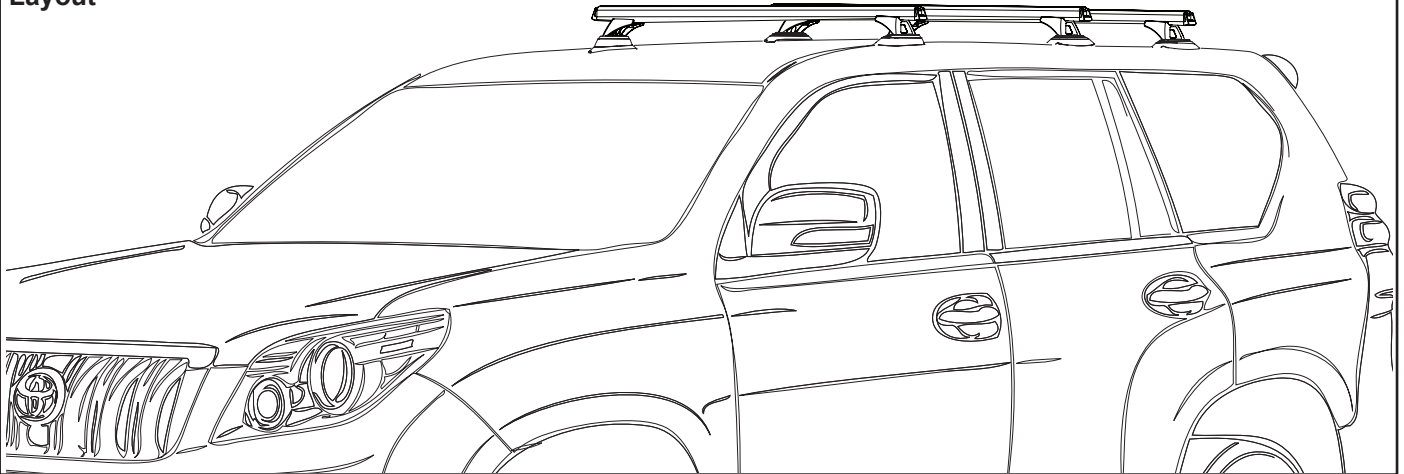
RHINO-RACK

Aerodynamic & Heavy Duty Roof Rack Systems

Rhino-Rack Toyota Prado 3 Bar Heavy Duty System (RLCP23)

Important: Please read these instructions carefully prior to installation.
Please refer to your fitting instruction to ensure that the racks are installed in the correct locations.
Check the contents of kit before commencing fitment and report any discrepancies.
Place these instructions in the vehicle's glove box after installation is complete.

Layout



Important Information

Maximum carrying capacity : 100kg evenly distributed over the three (3) cross bars.

Recommendations:

It is essential that all bolt connections be checked after driving a short distance when you first install your cross bars. Bolt connections should be checked again at regular intervals (probably once a week is enough, depending on road conditions, usage, loads and distances travelled). You should also check the cross bars each time they are refitted. Make sure to fasten your load securely. Please ensure that all loads are evenly distributed and that the centre of gravity is kept as low as possible.

Please remove roof racks when putting vehicle through an automatic car wash.

Use only non-stretch fastening ropes or straps.

Sensitivity to cross winds, behaviour in curves and braking:

The handling characteristics of the vehicle, changes when you transport a load on the roof. For safety reasons, we recommend you exercise extreme care when transporting wind-resisting loads; special consideration must be taken into account when braking.

Please remove cross bars when putting vehicle through an automatic car wash.

Load rating:

Maximum permissible load is 100kg on 3 cross bars (include the weight of the roof racks, 7.5kg). When cross bars are to be used in off-road conditions, please build a safety factor of 1.5 into this load limit. (66kg for off-road use). Although the roof racks are tested and approved to AS1235-2000, Australian road conditions can be much more rigorous. However, increasing the number of cross bars does not increase the vehicles maximum permissible roof loading.

Note for Dealers and Fitters:

It is your responsibility to ensure instructions are given to the end user or client

Rhino-Rack
3 Pike Street, Rydalmere,
NSW 2116, Australia.
(Ph) (02) 9638 4744
(Fax) (02) 9638 4822

Document No: RR245
Prepared By: Andy Wana
Authorised By: Chris Murty

Issue No: 02
Issue Date: 19/09/2011

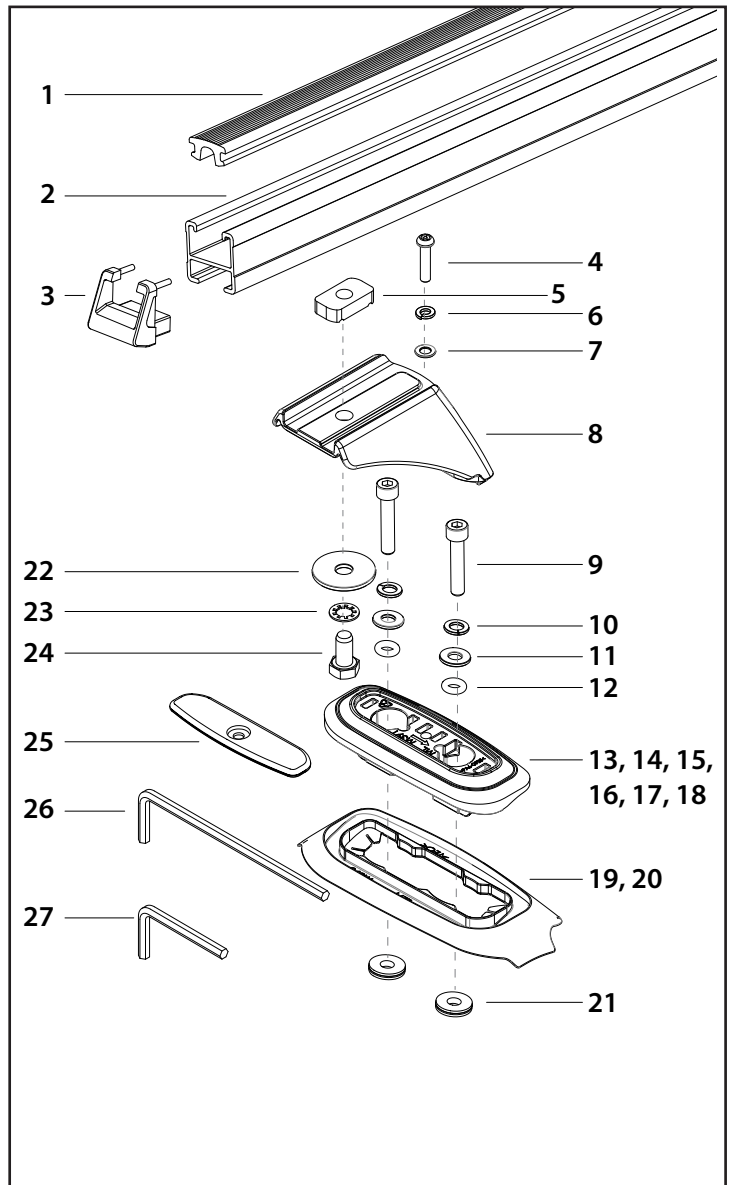
These instructions remain the property of Rhino-Rack Australia Pty Ltd and may not be used or changed for any other purpose than intended.



Rhino-Rack Toyota Prado 3 Bar Heavy Duty System (RLCP23)

Parts List

Item	Component Name	Qty	Part No.
1	Rubber Buffer (Heavy Duty)	3	Sold Separately
2	Heavy Duty Crossbar	3	Sold Separately
3	Heavy Duty End Cap	6	M002
4	M6 x 27mm Screw	6	B063
5	M10 Channel Nut	6	N024
6	M6 Spring Washer	6	W004
7	M6 Flat Washer	6	W003
8	Heavy Duty Leg	6	M123
9	M8 x 40mm Bolt	12	B162
10	M8 Spring Washer	12	W019
11	M8 Flat Washer	12	W043
12	7mm x 4mm O-Ring	12	C299
13	Front Left Mount Pad	1	M389
14	Front Right Mount Pad	1	M390
15	Middle Left Mount Pad	1	M391
16	Middle Right Mount Pad	1	M392
17	Rear Left Mount Pad	1	M393
18	Rear Right Mount Pad	1	M394
19	Left Pad Mount Skirt	3	M395
20	Right Pad Mount Skirt	3	M396
21	Mounting Pad Washer	12	C588
22	M10 Flat Washer	6	W022
23	M10 Shakeproof Washer	6	W021
24	M10 x 20mm Bolt	6	B003
25	Mounting Pad Cover	6	M126
26	6mm Allen Key	1	H009
27	5mm Security Allen Key	1	H021
28	Fitting Instruction	1	RR245



Tools Required:

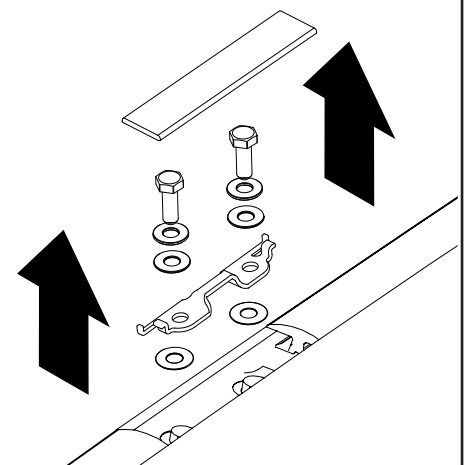
5mm Security key, included in kit
 6mm Allen key, included in kit
 Flat blade screwdriver
 Side cutters

Tape measure
 16mm spanner
 Rubber mallet
 Socket wrench & 13mm socket

1

Remove the roof trim covers with a flat blade screwdriver carefully. Remove all brackets, bolts and washers using a 13mm socket. Store the covers and attachment hardware for future use if needed.

NOTE: The existing bolts and washers are not used to fit the roof rack mounting pads.



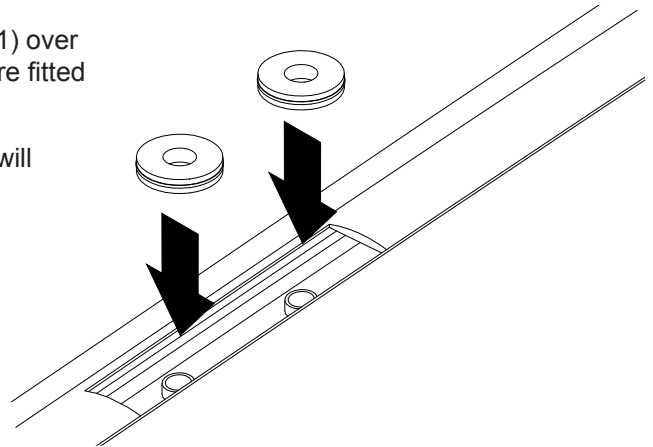
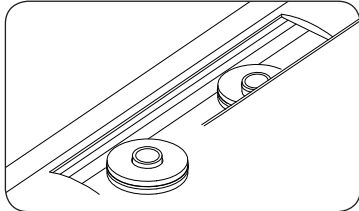


Rhino-Rack Toyota Prado 3 Bar Heavy Duty System (RLCP23)

2

Place the foam covered mounting pad washers (item 21) over the plastic tubes in the roof channel. Make sure they are fitted neatly around the plastic tubes.

NOTE: Failure to fit the foam covered copper washers will result in water leaks.

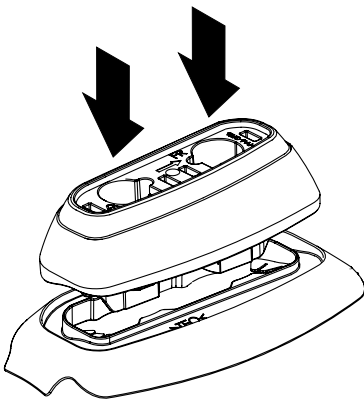


3

Match the appropriate rubber skirts (item 19 and 20) with the mounting pads

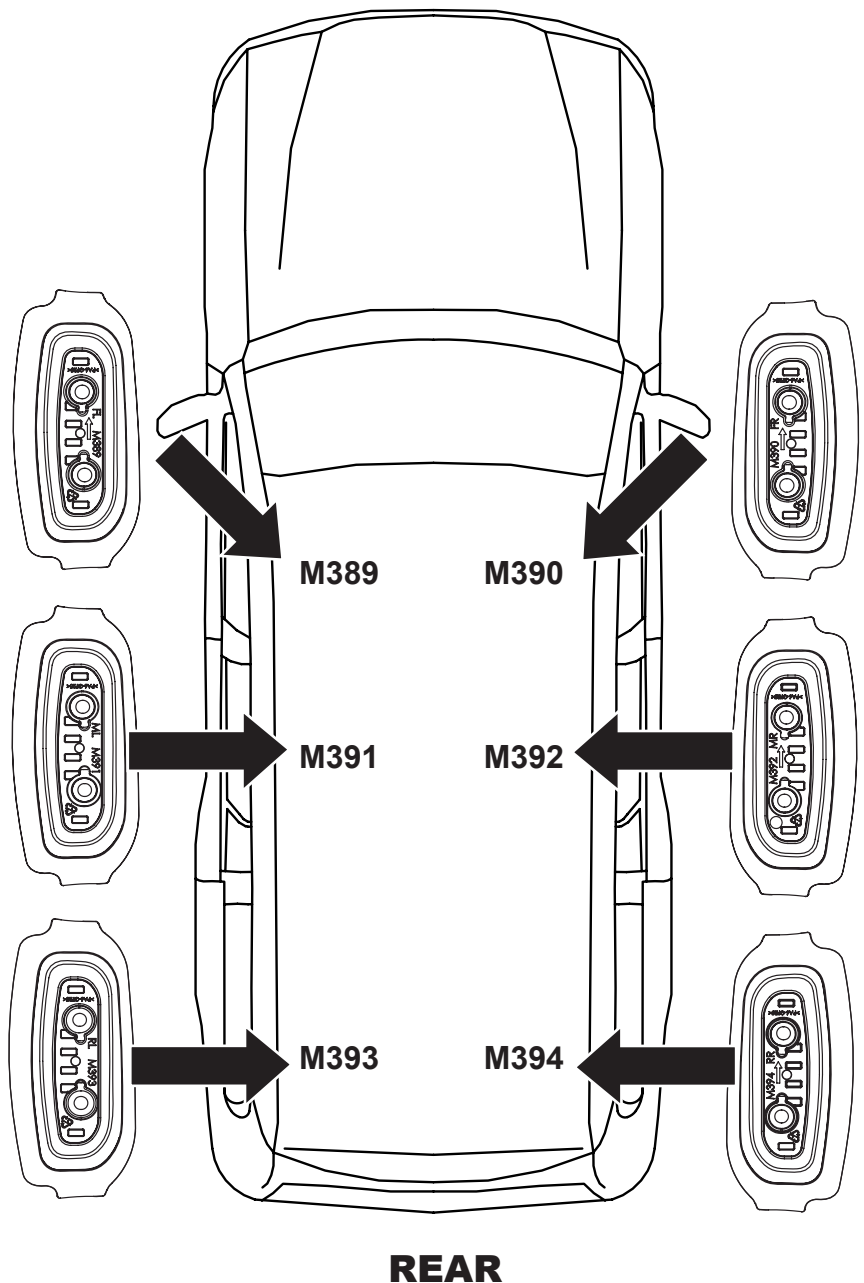
Item 19 - Left Pad Mount Skirt
FL = Front Left (M389)
ML = Middle Left (M391)
RL = Rear Left (M393)

Item 20 - Right Pad Mount Skirt
FR = Front Right (M390)
MR = Middle Right (M392)
RR = Rear Right (M394)

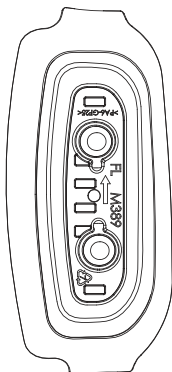
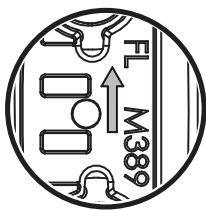


Arrows on top of parts must point towards FRONT of vehicle when correctly installed.

FRONT
(Top view of vehicle)



FRONT
of vehicle



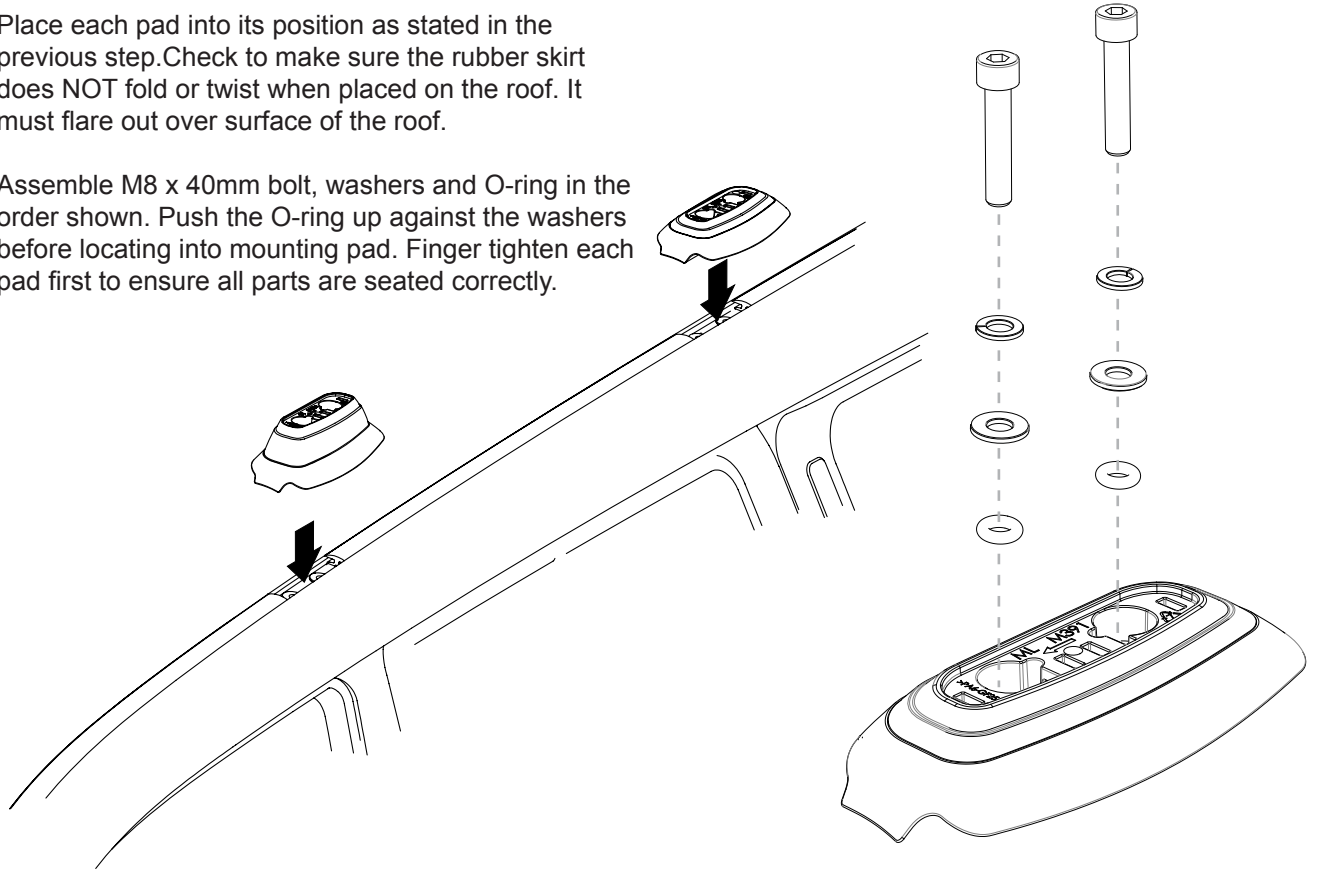


Rhino-Rack Toyota Prado 3 Bar Heavy Duty System (RLCP23)

4

Place each pad into its position as stated in the previous step. Check to make sure the rubber skirt does NOT fold or twist when placed on the roof. It must flare out over surface of the roof.

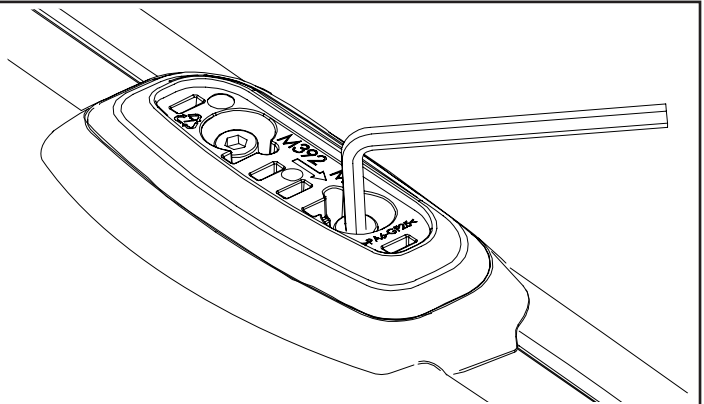
Assemble M8 x 40mm bolt, washers and O-ring in the order shown. Push the O-ring up against the washers before locating into mounting pad. Finger tighten each pad first to ensure all parts are seated correctly.



5

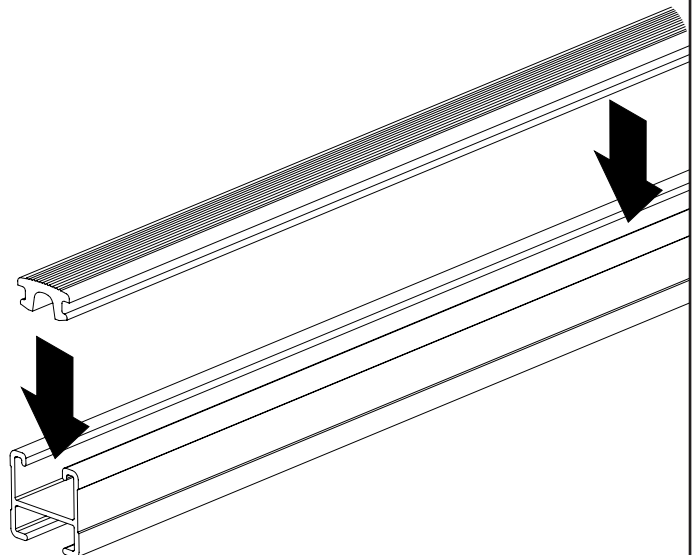
Tighten all M8 bolts using the 6mm allen key supplied.

Recommended tightening torque 9-11 Nm.
DO NOT OVER TIGHTEN.



6

Insert the rubber buffer strip into the top of the cross bar.



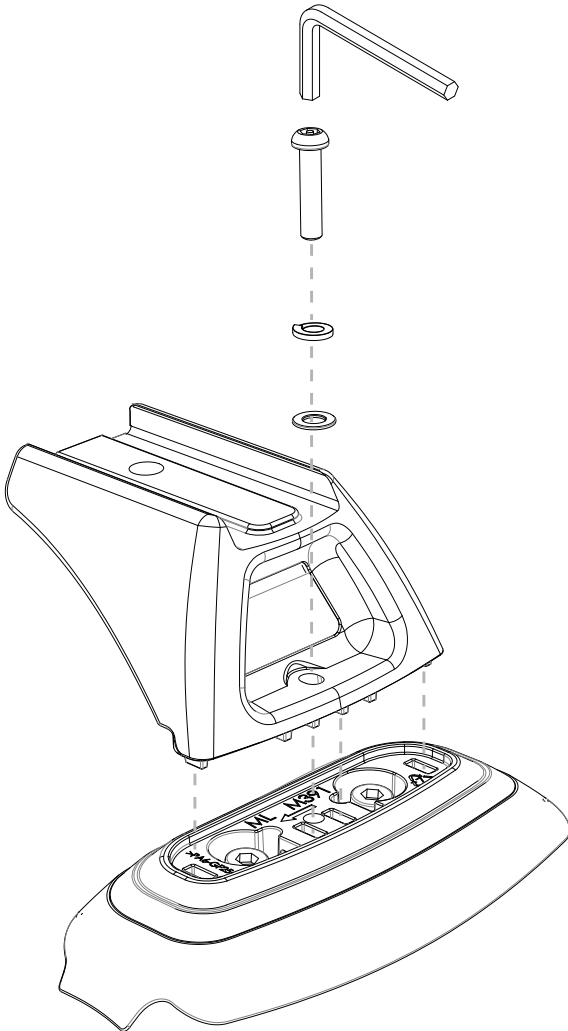


Rhino-Rack Toyota Prado 3 Bar Heavy Duty System (RLCP23)

7

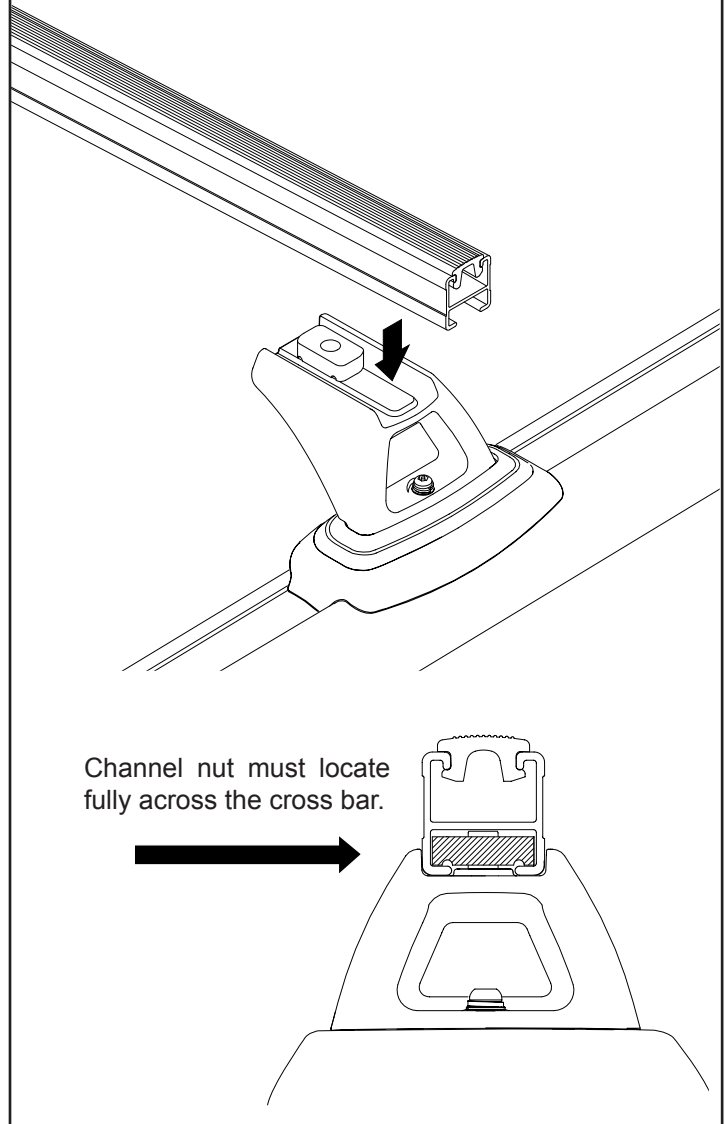
Assemble the M6 screw and washers in the order shown. Place the M6 screw/washer assembly through the heavy duty leg and fasten to the mounting pad using the supplied 5mm security allen key.

Do not fully tighten at this stage.



8

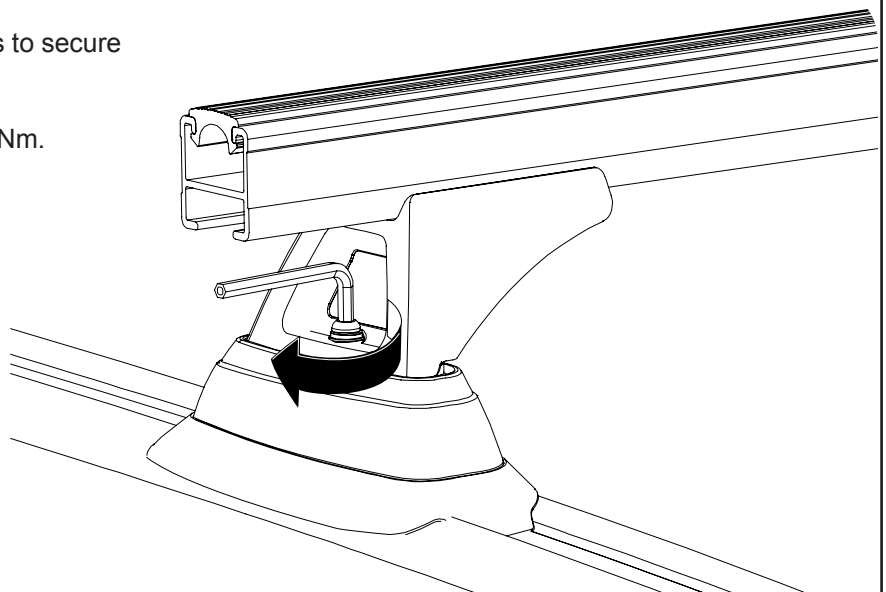
Attach the cross bar to the heavy duty legs. Make sure the channel nut is fully located across inside of the cross bar. Lightly finger tighten the M10 bolt only.



9

Tighten the M6 leg attachment screws to secure the legs to the mounting pads.

Recommended tightening torque 3-4 Nm.

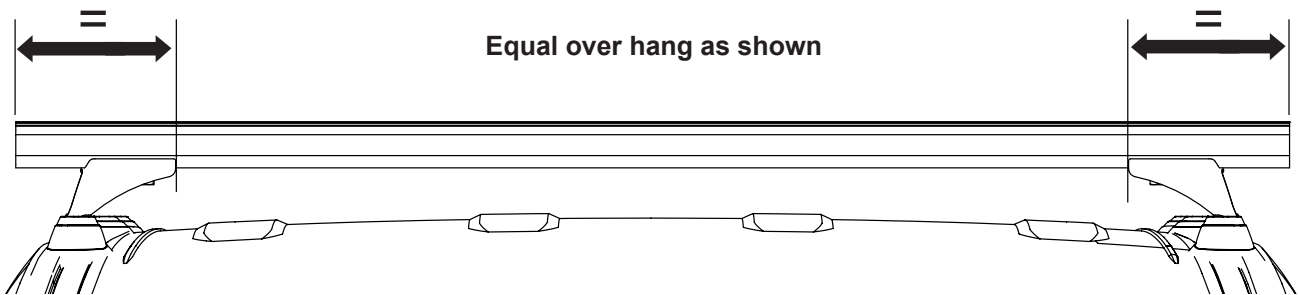




Rhino-Rack Toyota Prado 3 Bar Heavy Duty System (RLCP23)

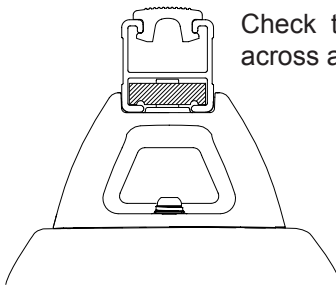
10

Cross bars will need to be adjusted to achieve equal over hang.
Tighten the M10 cross bar attachment bolts.
Recommended tightening torque 17-19 Nm.

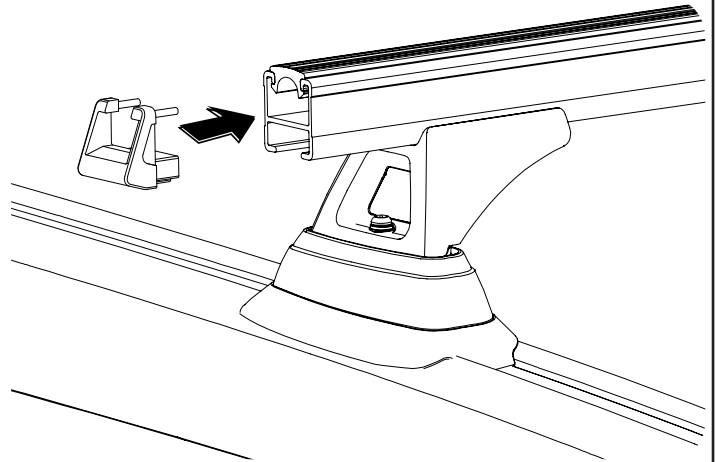


11

Fit the end caps into the end of the cross bar.
A rubber mallet may be used to knock the end caps in place.



Check that the nut still sit across as shown.



12

The Toyota Prado 3 Bar Heavy Duty System is ready to use.

