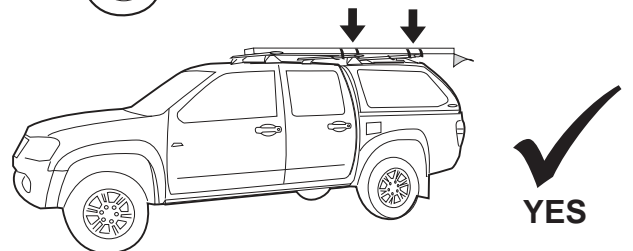
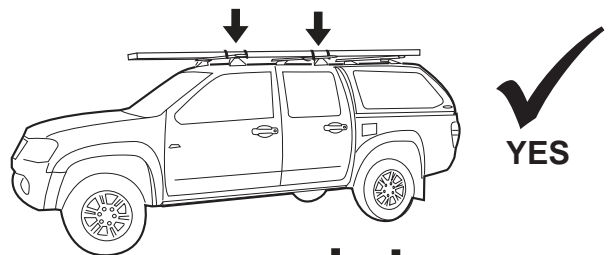
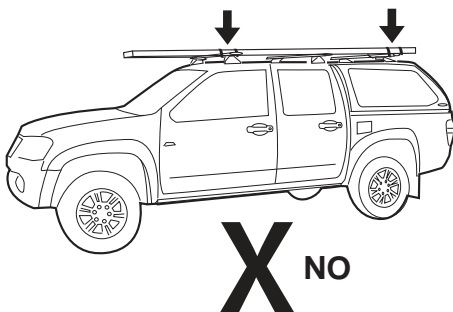


WARNING! Important Load Carrying Instructions

With utility vehicles, the cabin and the canopy move independently. Roofracks and vehicle can be damaged if the item transported is rigidly fixed at points on both the cabin and canopy. Instead, rigidly fix to either the cabin roofracks or the canopy roofracks.

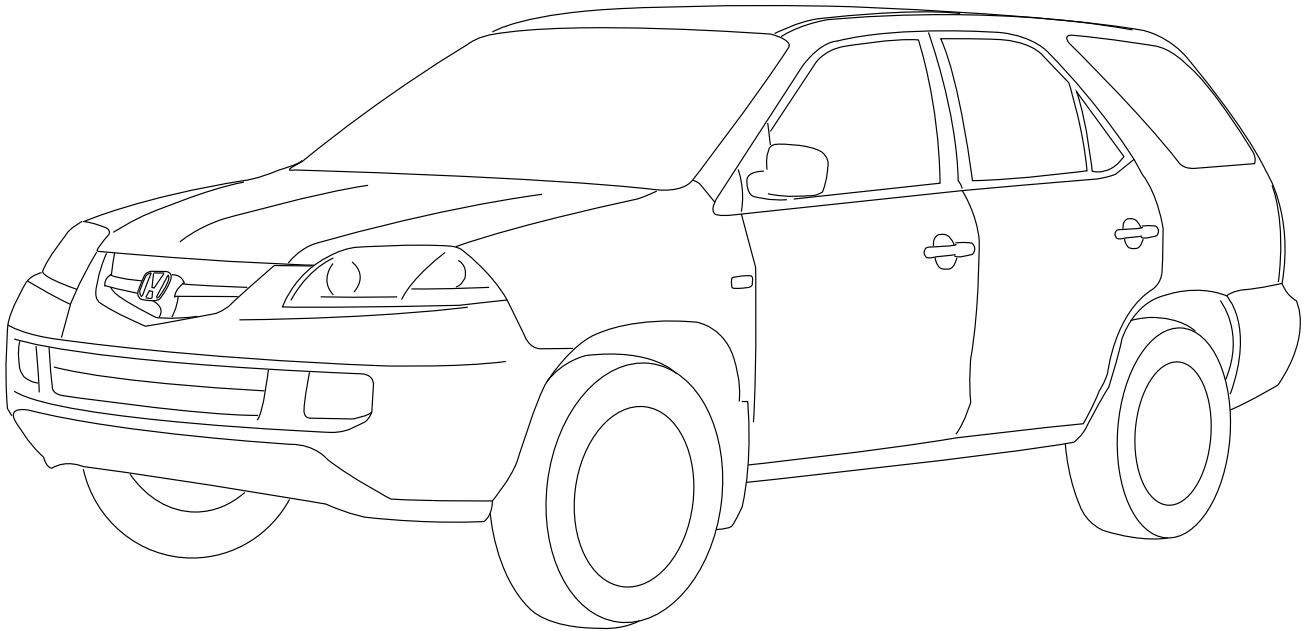


- Please refer to your vehicle manufacturers handbook for maximum roof load capacity.
- Any load transported on Roof Racks must be evenly distributed.
- Instructions are to remain with the vehicle.
- Do not attempt to fit the roof racks to your vehicle unless you fully read and understand the fitting instructions provided.
- Please direct any questions to the dealer from where the roof racks were purchased.



RHINO-RACK

RLCP09 Rhino Two Crossbar System Honda MDX, Acura MDX



Maximum roof load: 75kg

Refer to vehicle manufacturers handbook for maximum roof loading. Always use lower of the two figures.

Recommendations:

It is essential that all bolt connections be checked after driving a short distance when you first install your crossbars. Bolt connections should be checked again at regular intervals (probably once a week is enough, depending on road conditions, usage, loads and distances travelled). You should also check the crossbars each time they are refitted. Make sure to fasten your load securely. Please ensure that all loads are evenly distributed and that the centre of gravity is kept as low as possible.

Crossbars must be removed when putting vehicle through an automatic car wash.

Carrying Loads: Use only non-stretch fastening ropes or straps to secure your load.

Caution: The handling characteristics of the vehicle change when you transport a load on the roof. For safety reasons we recommend you exercise extreme care when transporting wind-resistant loads. Special consideration must be taken into account when cornering and braking.

Load Ratings:

Maximum permissible load is 75kg (165lbs) for two crossbars including the weight of the crossbars, 5kg (11lbs). When crossbars are to be used in off-road conditions, please build a safety factor of 1.5 into this load limit for off-road use, two crossbars = **50kg (110lbs)**. Although the crossbars are tested and approved to AS1235-2000, off-road conditions can be much more rigorous. However, increasing the number of crossbars does not increase the vehicles maximum permissible roof loading.

Note for Dealers and Fitters:

It is your responsibility to ensure instructions are given to the end user or client.

Rhino-Rack
3 Pike Street, Rydalmere,
NSW 2116, Australia.
(Ph) (02) 9638 4744
(Fax) (02) 9638 4822

Document No: RR135
Prepared By: Craig Jones
Authorised By: Chris Murty

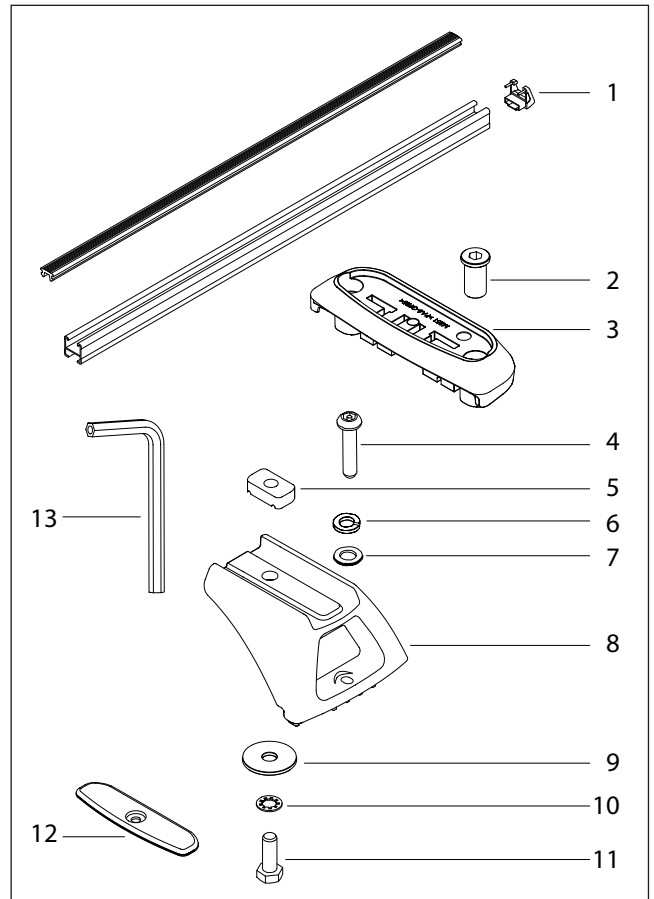
Issue No: 03
Issue Date: 02/04/2012

These instructions remain the property of Rhino-Rack Australia Pty. Ltd. and may not be used or changed for any other purpose than intended.



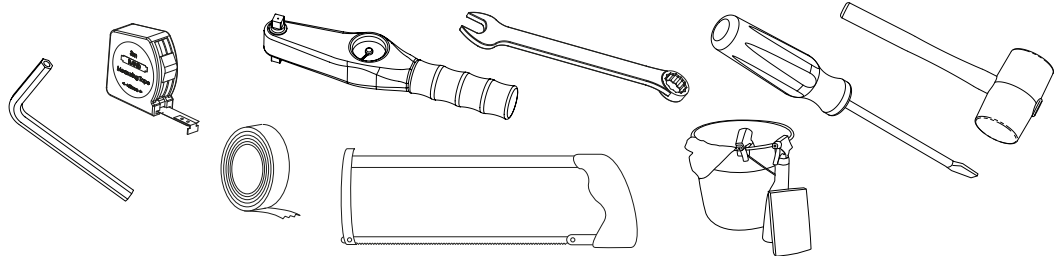
RLCP09 - Honda MDX, Acura MDX

Item No.	Component	Qty	Part No.
	Crossbar & rubber <i>(sold seperately)</i>	2	RB1250S
1	End cap	4	M002
2	M6 Hex tube nut	8	N038
3	Base pad	4	M251
4	M6 x 25mm security screw	4	B137
5	M10 channel nut	4	N024
6	M6 spring washer	4	W004
7	M6 x 12.5mm flat washer	4	W003
8	RLCP Leg	4	M123
9	M10 x 38mm flat washer	4	W022
10	M10 Internal shakeproof washer	4	W021
11	M10 x 20mm hex bolt	4	B003
12	Base pad cover plate	4	M126
13	Security allen key	1	H021
14	Fitting instruction	1	RR135

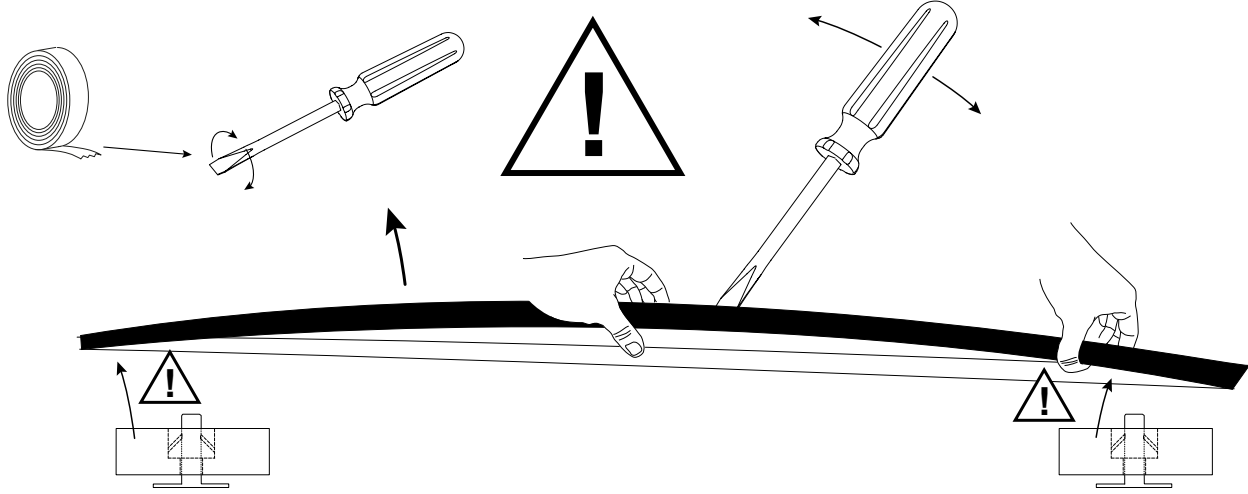


Tools required.

- Allen key, included.
- Tape measure.
- Adhesive tape.
- Torque wrench.
- Hacksaw.
- 16mm spanner.
- Cleaning products.
- Flat head screwdriver.
- Rubber mallet.



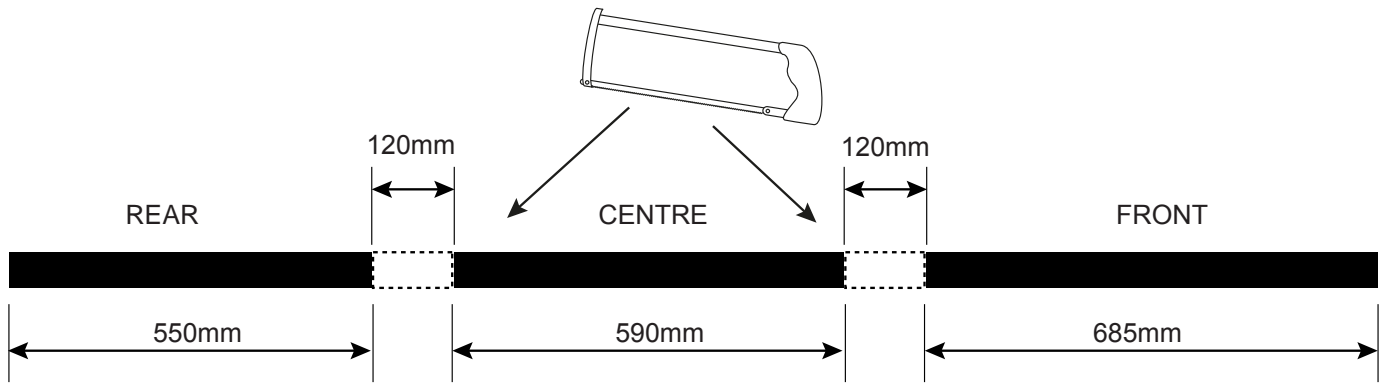
1 Remove roof trim.
 Plastic clips are located on underside of roof trim, 60mm from front and 85mm from rear. Lever roof trim from the middle then slowly lift with fingers. Slide fingers toward each end and gently lift trim to unclip.
Use caution when pulling up trim so not to break plastic clips at each end.



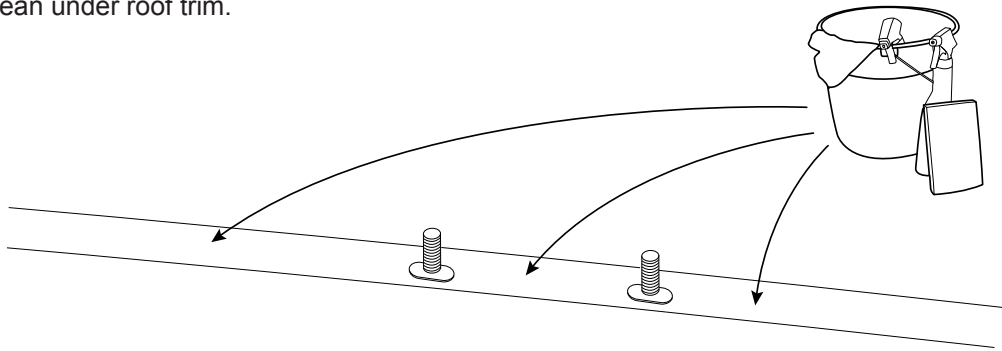


RLCP09 - Honda MDX, Acura MDX

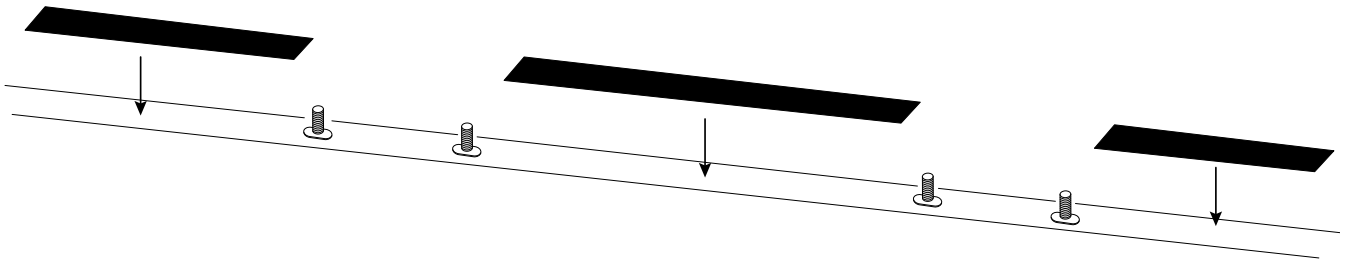
- 2** Cut roof trim.
Cut trim using a hacksaw at sizes shown.



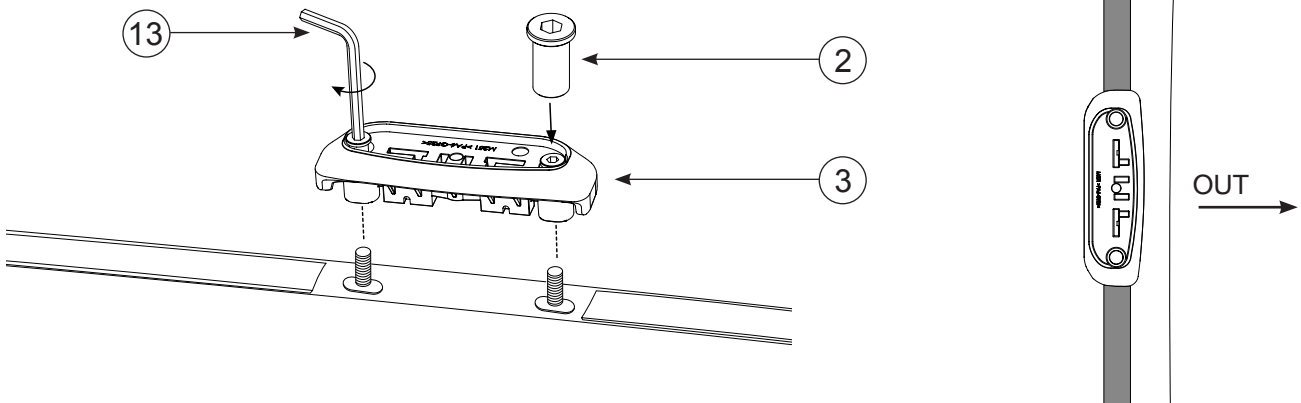
- 3** Clean under roof trim.



- 4** Clip Front & Rear roof trim back in place. Base pad will hold Centre piece in place.



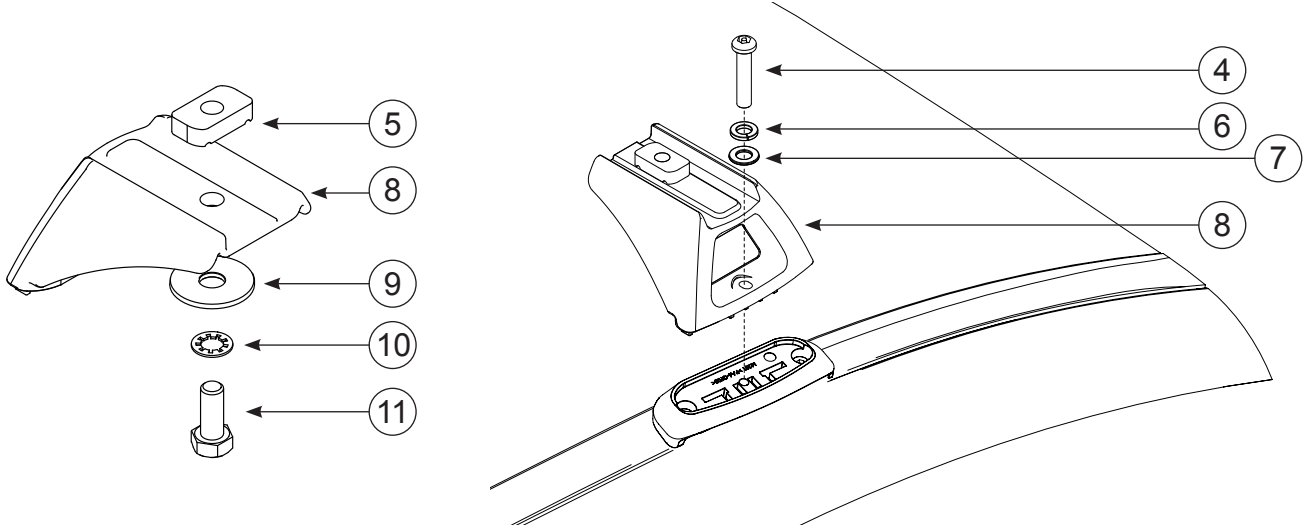
- 5** Attach base pads.
Place base pads over the screws. Fasten with M6 tube nuts. 3-4 Nm (2-3 lb/ft).



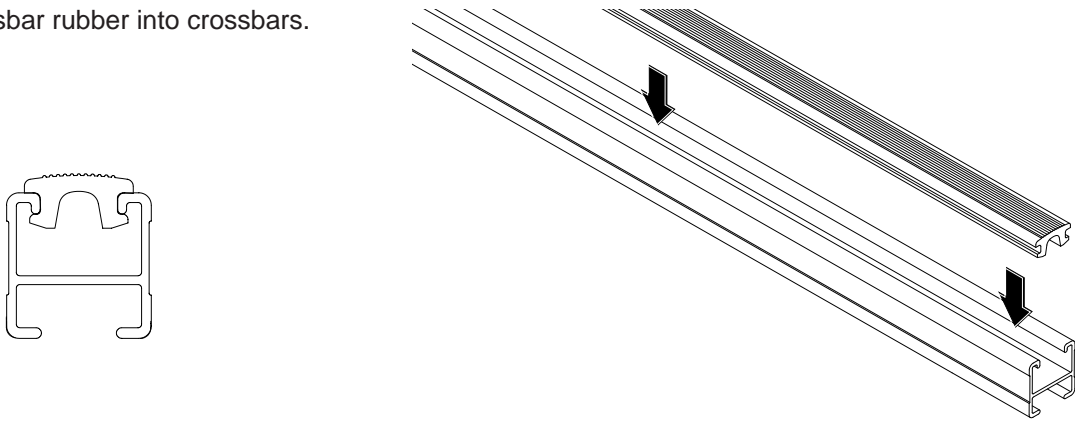


RLCP09 - Honda MDX, Acura MDX

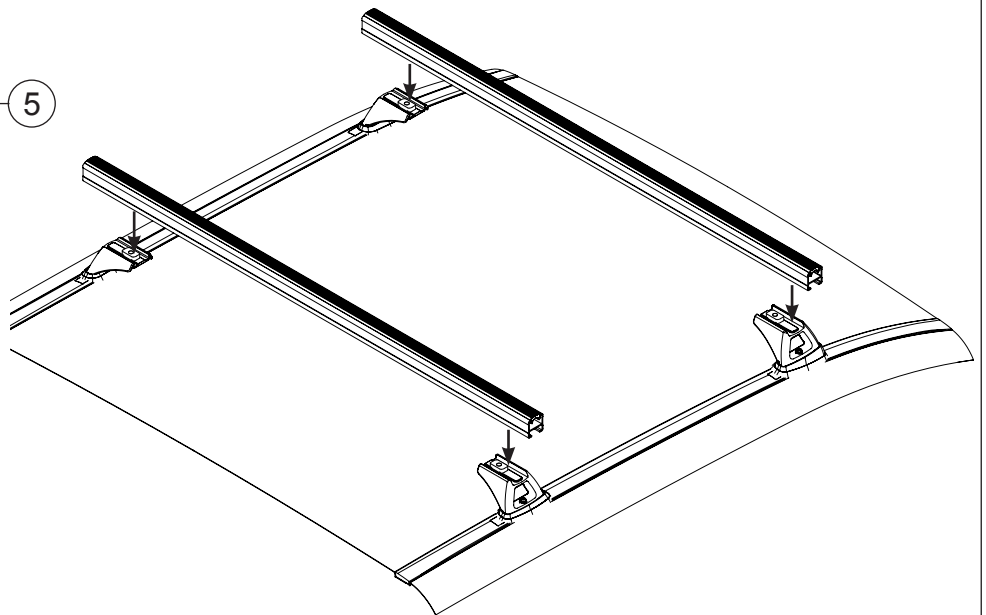
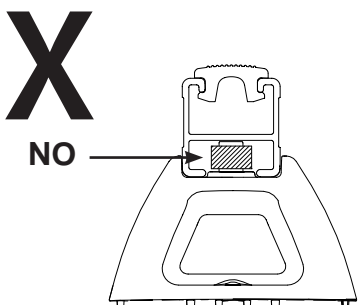
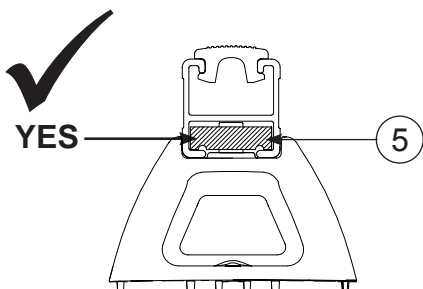
6 Attach all four legs to base pads.



7 Insert crossbar rubber into crossbars.



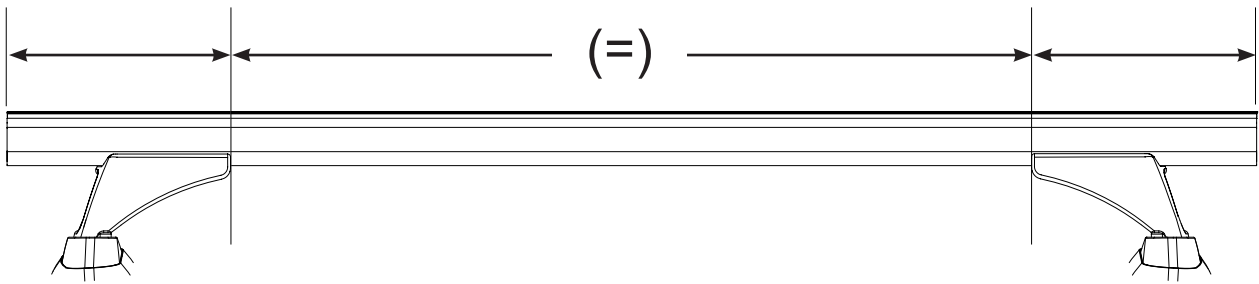
8 Place crossbars on top of legs. Lightly finger tighten M10 bolts.



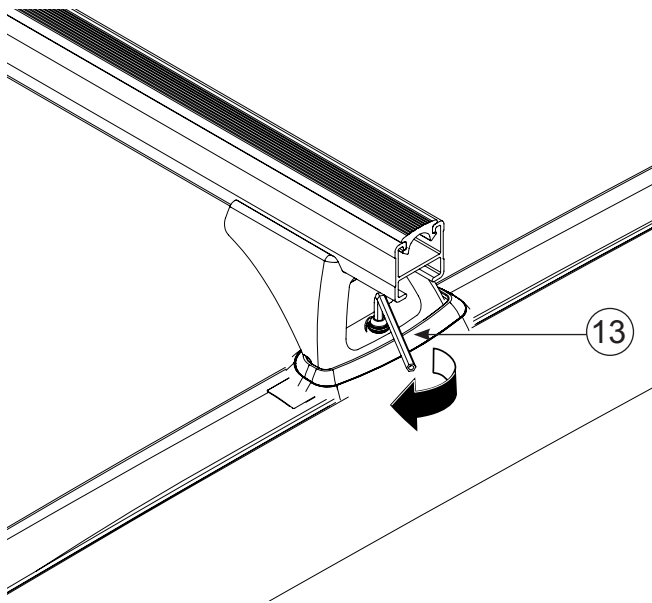


RLCP09 - Honda MDX, Acura MDX

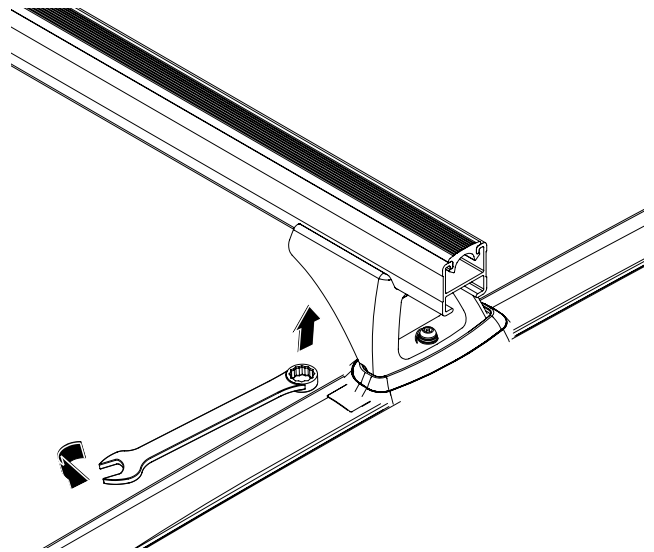
9 Slide crossbars to achieve equal overhang.



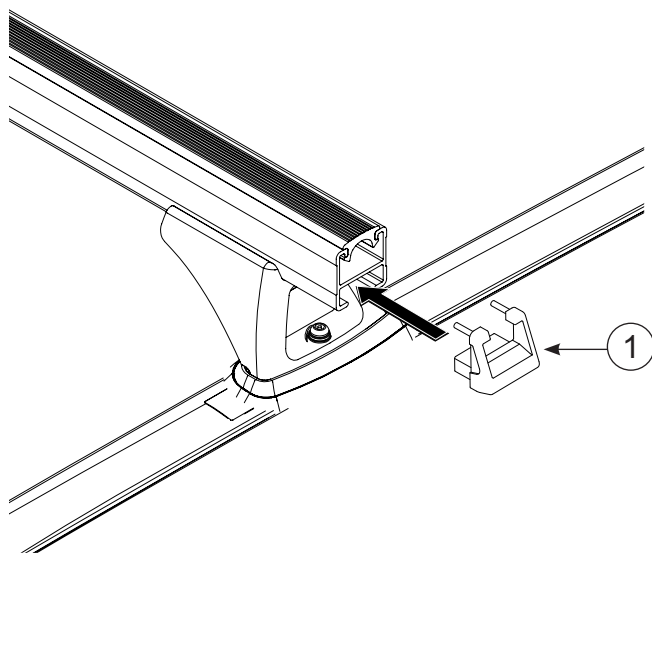
10 Evenly tighten left and right side M6 screws.
3-4 Nm (2-3 lb/ft).



11 Evenly tighten left and right side M10 crossbar bolts.
13-14 Nm (9-10 lb/ft).



12 Knock end caps in. A rubber mallet may be used.



Attach cover plates when crossbars are removed.
Tighten screws 3-4 Nm (2-3 lb/ft).

