

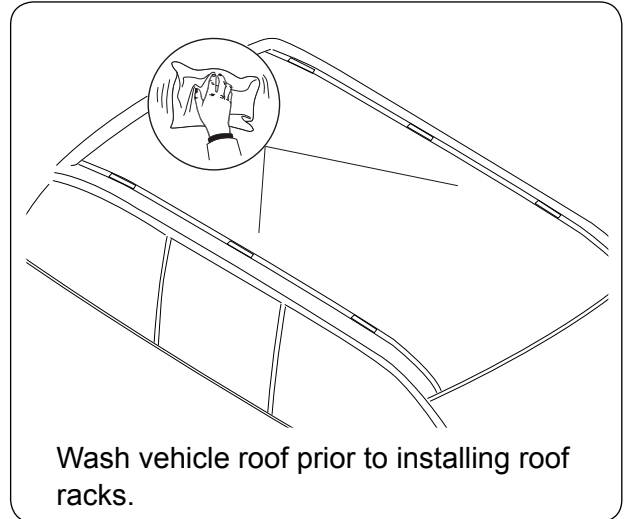
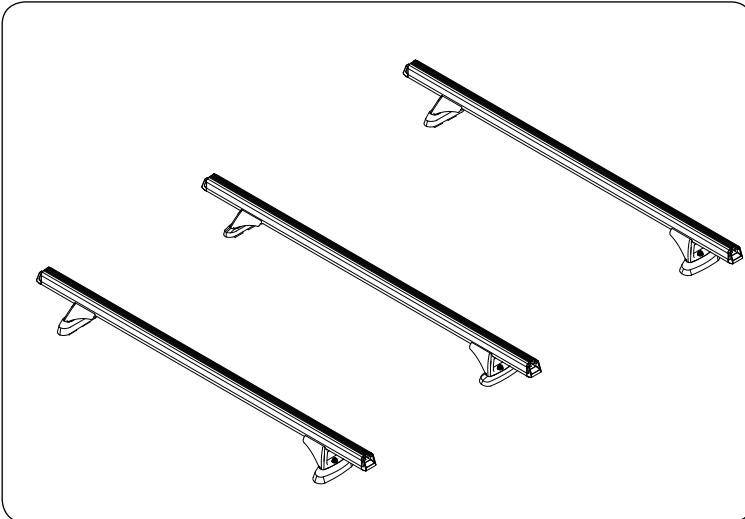


# RHINO-RACK

Aerodynamic & Heavy Duty Roof Rack Systems

## RLCP05 Range Rover - Rhino Heavy Duty 3 Bar System.

**Important:** Please refer to your fitting instruction to ensure roof racks are installed in the correct locations. Check contents of the kit before commencing fitment and report any discrepancies. Place these instructions in the vehicle's glove box after installation is complete.



**NOTE:** Please read through instructions before fitting the racks to your vehicle.

### Important Information

**Maximum carrying capacity: 100kg (220lbs) evenly distributed over the cross bars. Please refer to your vehicle manufacturers handbook for maximum roof loading. Always use lower of the two figures.**

**Recommendations:**

It is essential that all bolt connections be checked after driving a short distance when you first install your cross bars. Bolt connections should be checked again at regular intervals (probably once a week is enough, depending on road conditions, usage, loads and distances travelled). You should also check the cross bars each time they are refitted. Make sure to fasten your load securely. Please ensure that all loads are evenly distributed and that the centre of gravity is kept as low as possible.

**Use only non-stretch fastening ropes or straps.**

**Caution:** The handling characteristics of the vehicle changes when you transport a load on the roof. For safety reasons we recommend you exercise extreme care when transporting wind-resistant loads. Special consideration must be taken into account when cornering and braking.

**Please remove cross bars when putting vehicle through an automatic car wash.**

**Load Ratings:**

Maximum permissible load is 100kg (220lbs) for two cross bars including the weight of the cross bars, 7kg (15lbs). When cross bars are to be used in off-road conditions, please build a safety factor of 1.5 into this load limit for off-road use, two cross bars = **66kg (145lbs)**. Although the cross bars are tested and approved to AS1235-2000, Off road conditions can be much more rigorous. However, increasing the number of cross bars does not increase the vehicles maximum permissible roof loading.

**Note for Dealers and Fitters:**

It is your responsibility to ensure instructions are given to the end user or client.

Rhino-Rack  
3 Pike Street, Rydalmere,  
NSW 2116, Australia.  
(Ph) (02) 9638 4744  
(Fax) (02) 9638 4822

Document No: RR121  
Prepared By: Craig Jones  
Authorised By: Gary England

Issue No: 03  
Issue Date: 19/05/2010

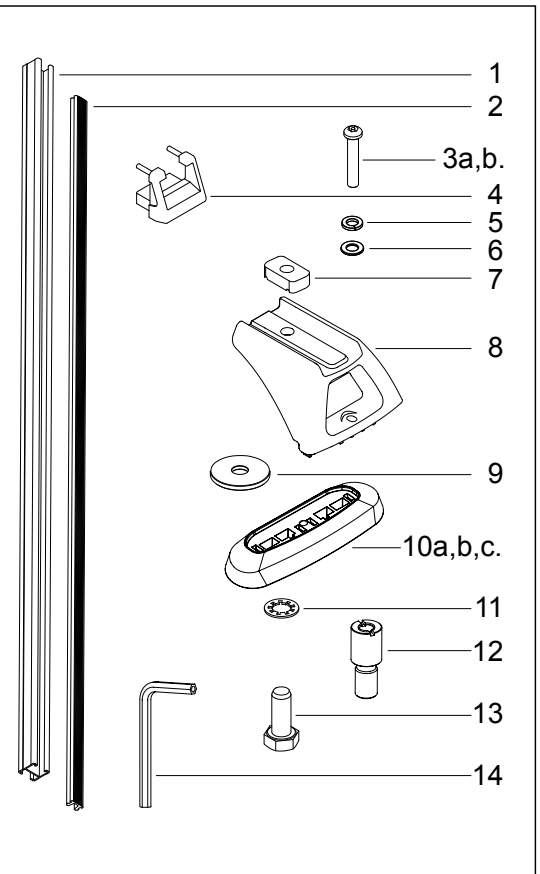
These instructions remain the property of Rhino-Rack Australia Pty. Ltd. and may not be used or changed for any other purpose than intended.



# RLCP05 Range Rover

## Parts List

Item	Component Name	Qty	Part No
1	Cross Bar 1375mm	3	A019
2	Rubber Buffer Strip	3	R001
3a	M6 x 32mm Security Screw	2	B064
3b	M6 x 45mm Security Screw	4	B091
4	End Cap	6	M002
5	M6 Spring Washer	6	W004
6	M6 Flat Washer	6	W003
7	M10 Channel Nut	6	N024
8	RLCP Leg	6	M123
9	M10 Flat Washer	6	W022
10a	Mounting Pads Centre	2	M166
10b	Mounting Pads Front Left /Rear Right	2	M167
10c	Mounting Pads Front Right/Rear Left	2	M168
11	M10 Shake-proof Washer	6	W021
12	Mounting Stud	6	C358
13	M10 x 20mm Hex Bolt	6	B003
14	5mm Security Allen Key	1	H001
15	Fitting instruction	1	RR-121

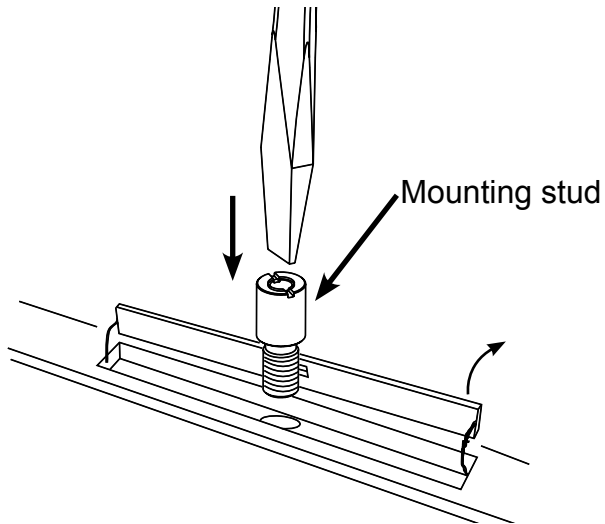


### Tools Required:

Allen key, provided in kit.  
Tape measure

Flat head screwdriver.  
Rubber mallet.

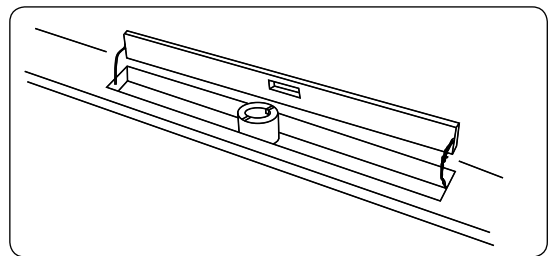
1



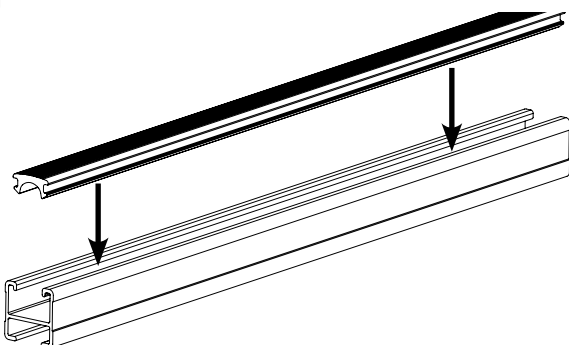
### Roof mounts.

Locate plastic flaps on top of the vehicle. Carefully hinge open each plastic flap.

- Remove grub screws with the Allen key provided.
- Remove any excess body filler.
- Fasten the brass mounting studs into the threaded holes using a flat head screwdriver.



2



### Cross bar rubber:

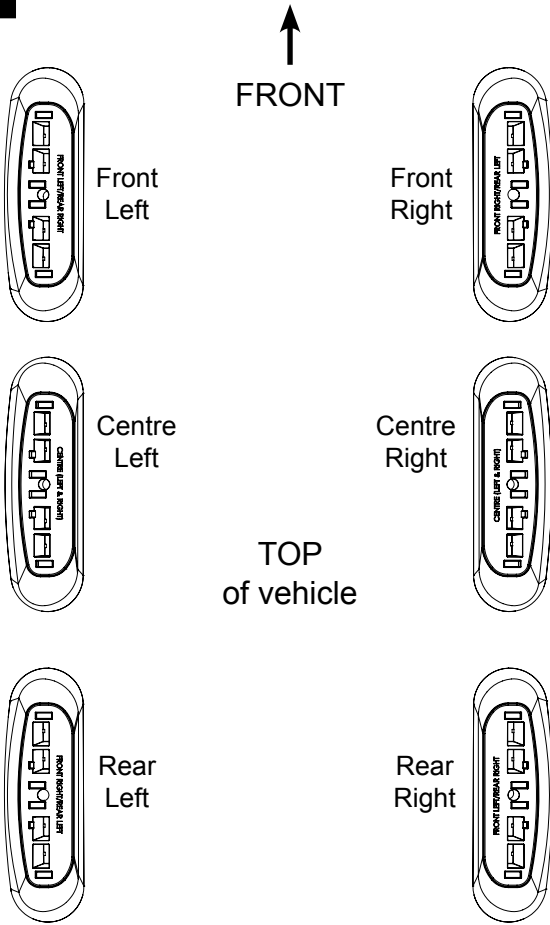
Push the cross bar buffer strip into top of the bar.



# RLCP05 Range Rover

**3**

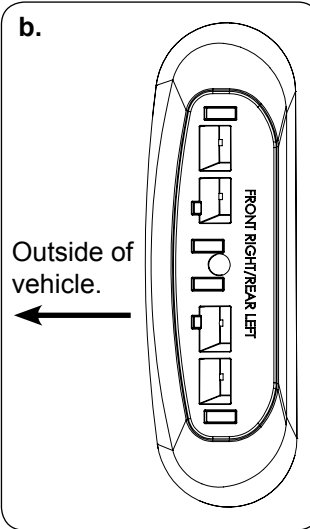
**a.**



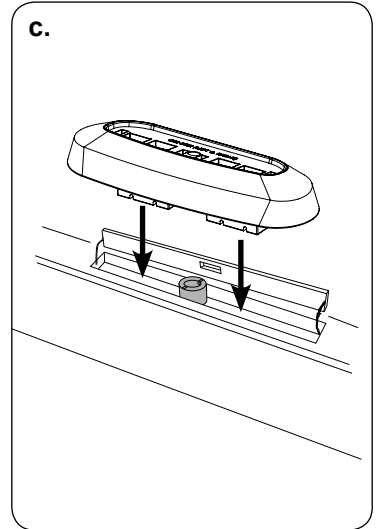
## Fit pads.

- Top of pads are marked according to their position on the roof.
- Orientate the pads correctly.
- Have the plastic roof flap up and position the pad into the recess.

**b.**



**c.**



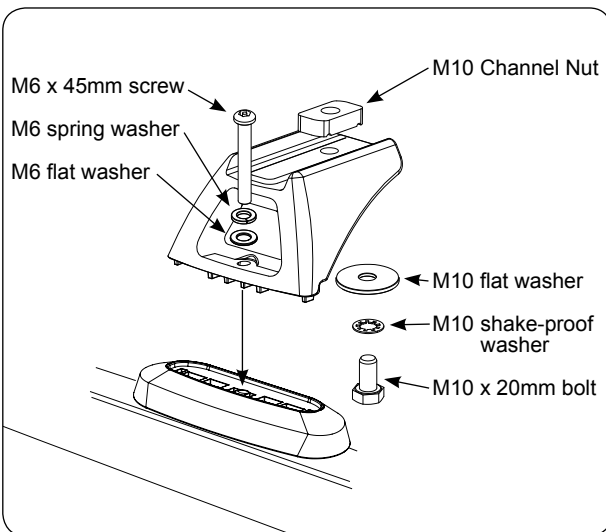
**4**

## Fasten pads.

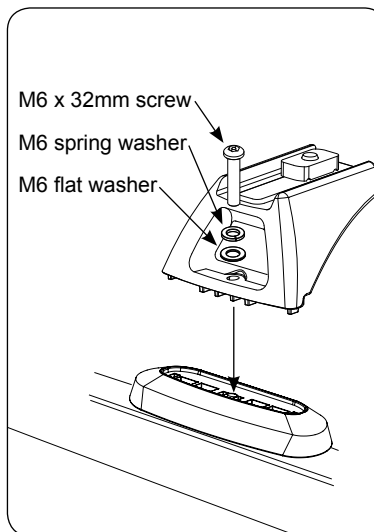
Place an RLCP leg onto each pad. Fasten each leg with the correct length M6 screws. Refer images below.

- M6 x 45mm screws used on FRONT and REAR pads.
- M6 x 32mm screws used on CENTRE pads.

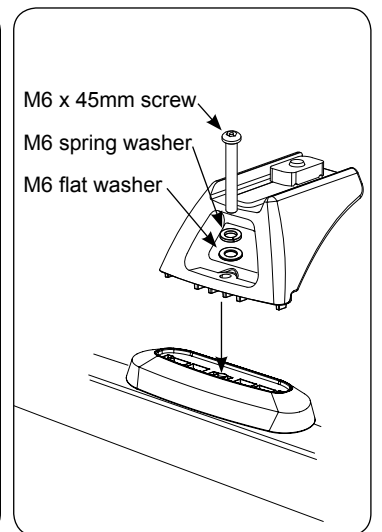
**Do not tighten M6 screws at this stage.**



FRONT  
Left & Right



CENTRE  
Left & Right



REAR  
Left & Right

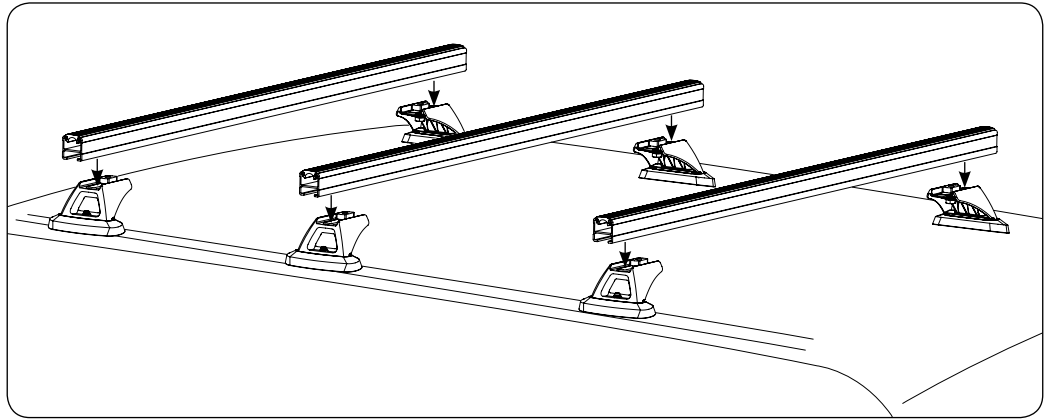
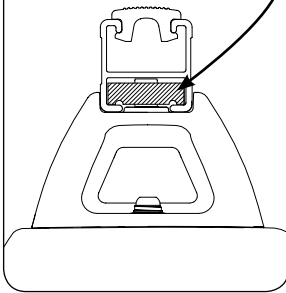


## RLCP05 Range Rover

### 5 Attach cross bars.

Place cross bars onto legs. Turn M10 channel nut 90° so it locates across the inside of the cross bar. Finger tighten only at this stage.

Channel nut must sit across the bar before tightening.

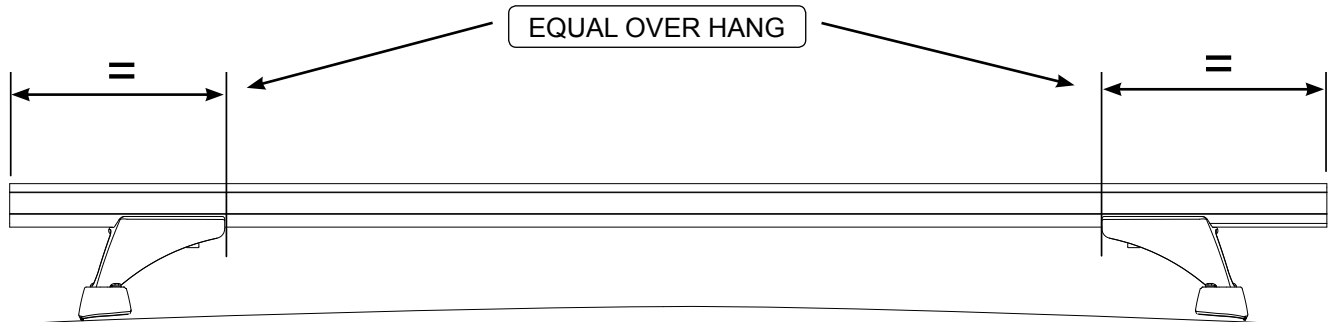


### 6 Measure cross bar over hang.

Adjust cross bar over hang to be equal both sides.

- Using the Allen key supplied tighten the M6 leg screws to 4-5 Nm (35-44 lbf.in).
- Tighten M10 cross bar bolts to 17-19 Nm (150-168 lbf.in).

**Do not over tighten.**



### 7

#### End caps.

Knock the end caps to the cross bars. A rubber mallet may be used to knock them in.

