



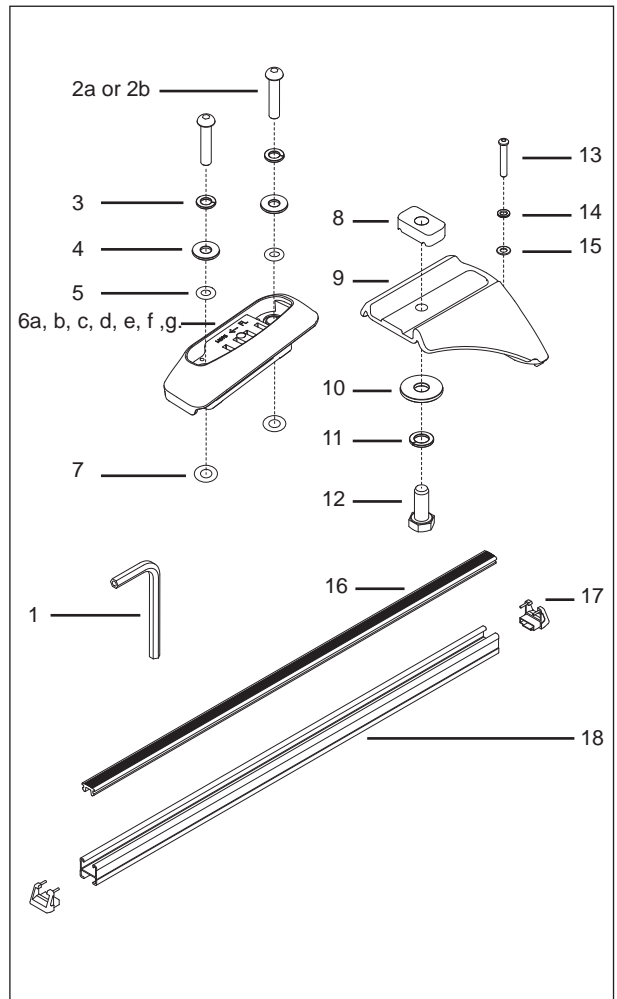
RHINO-RACK

RLCP02 Rhino Heavy Duty - Toyota Landcruiser 100 Series Three Cross Bar System.

Important: Please read these instructions carefully prior to installation.
Please refer to your fitting instruction to ensure that the roof racks are installed in the correct locations.
Check the contents of kit before commencing fitment and report any discrepancies.
Place these instructions in the vehicle's glove box after installation is complete.

Parts List

Item	Component Name	Qty.	Part No.
1	5mm Security Allen Key	1	H021
2a	M8 x 40mm Button Head Screw	4	B127
2b	M8 x 50mm Button Head Screw	8	B126
3	M8 Spring Washer	12	W019
4	5/16 X 3/4 Flat Washer	12	W030
5	O-Ring 7mm x 4mm	12	C299
6a	Front Left Mounting Pad	1	M095
6b	Front Right Mounting Pad	1	M096
6c	Middle Left Mounting Pad	1	M097
6d	Middle Right Mounting Pad	1	M098
6e	Rear Left Mounting Pad	1	M099
6f	Rear Right Mounting Pad	1	M100
6g	Fin-Lock Brass Nut	6	N014
7	Mounting Pad Washer Gasket	12	C372
8	M10 Channel Nut	6	N024
9	RLCP Leg	6	M123
10	M10 x 38mm x 2.5mm Flat Washer	6	W022
11	M10 Internal Shake Proof Washer	6	W021
12	M10 x 20mm Hex Bolt	6	B003
13	M6 x 32mm Button Head Security Screw	6	B064
14	M6 Spring Washer	6	W004
15	M6 x 12.5mm Flat Washer	6	W003
16	Heavy Duty Rubber Buffer 1375mm	3	R004
17	Heavy Duty Cross Bar End Cap	6	M002
18	Heavy Duty Cross Bar 1375mm	3	A020
19	Fitting Instruction	1	RR94



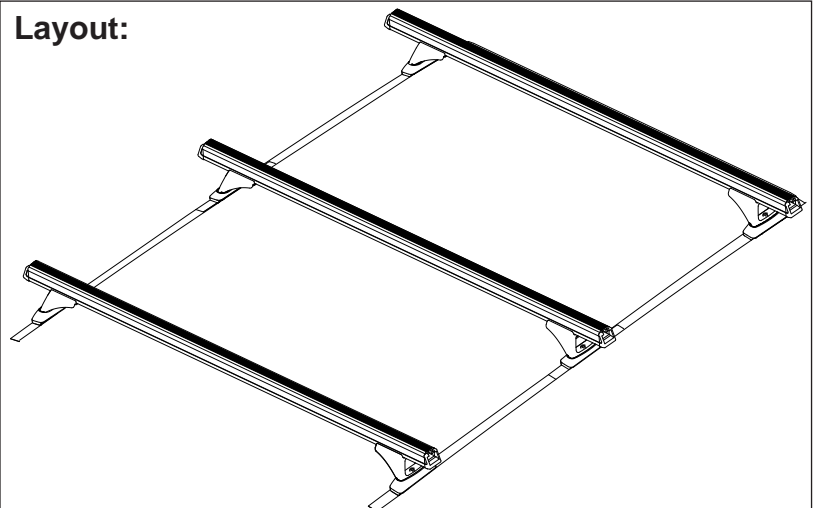
Care Instruction:

Wash vehicle roof prior to fitting the Rhino heavy duty roof racks.

Tools Required:

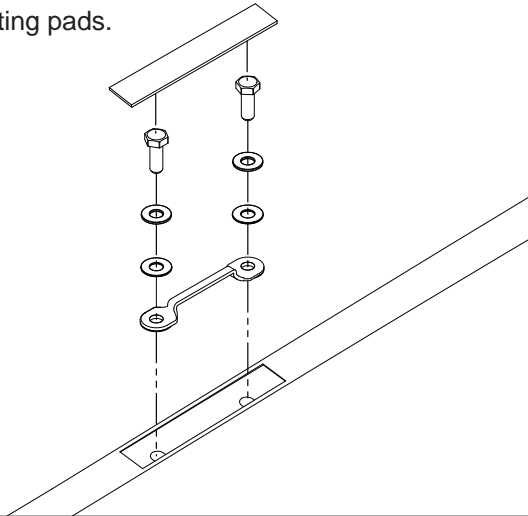
Security Allen key, provided in kit.
16mm spanner.
Tape Measure.

Layout:

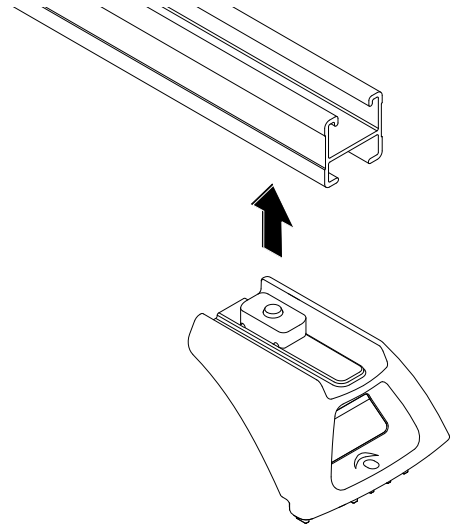


1 Remove the roof rack attachment point covers, exposed bolts and brackets. Store covers, bolts and brackets for future use if racks are removed.

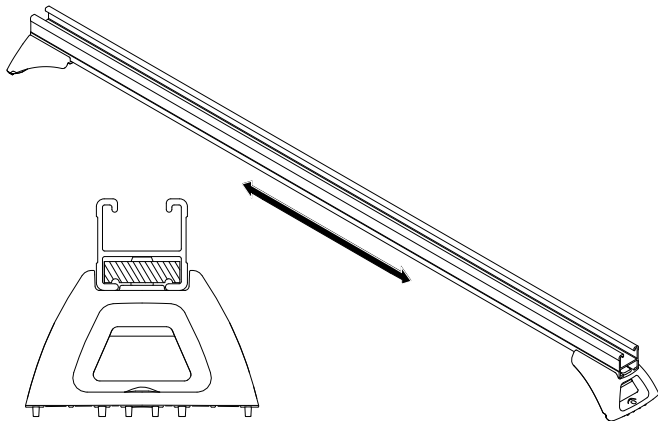
NOTE: The existing bolts and washers are not used to fit the mounting pads.



2 Insert the heavy duty leg assembly into the under-side channel of the cross bar.



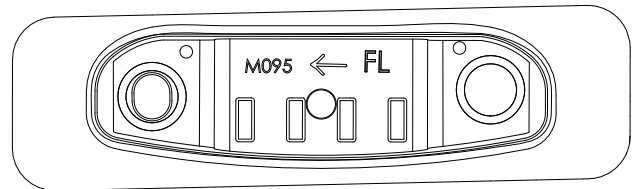
3 Tighten the leg attachment bolt so that the channel nut turns to locate across the cross bar. Finger tighten the bolt as the legs will require adjustment later. Check that the channel nut is fully located across the bar.



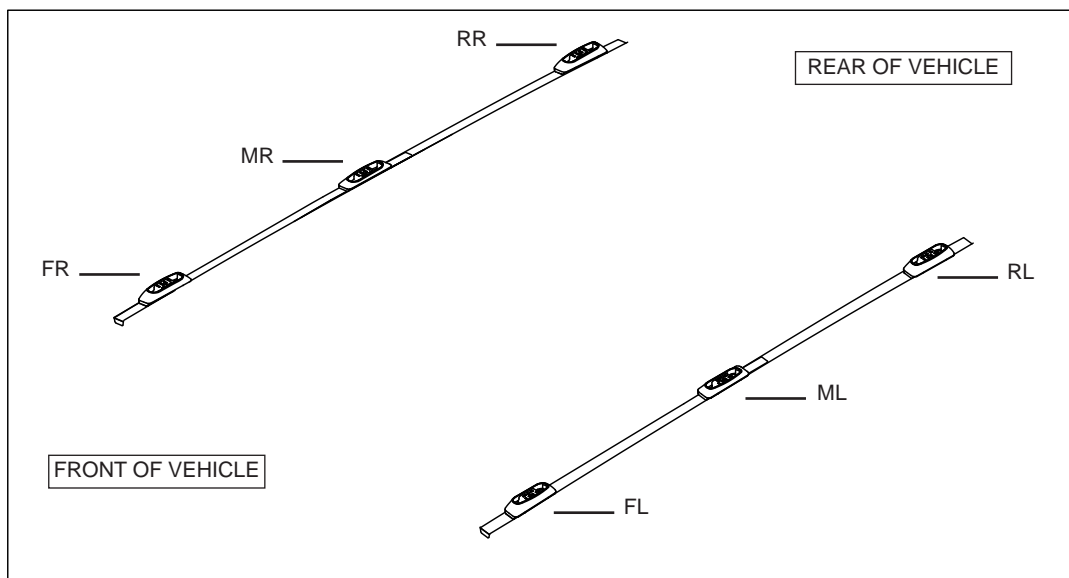
4 Each mounting pad is identified with a part number, position code and direction arrow. The arrow must point toward the front of the vehicle.

The mounting pad position codes are as follows:

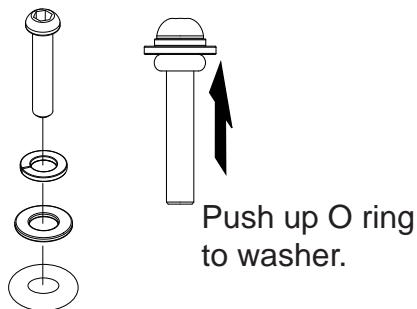
- FL - Front left side pad
- FR - Front right side pad
- ML - Middle left side pad
- MR - Middle right side pad
- RL - Rear left side pad
- RR - Rear right side pad



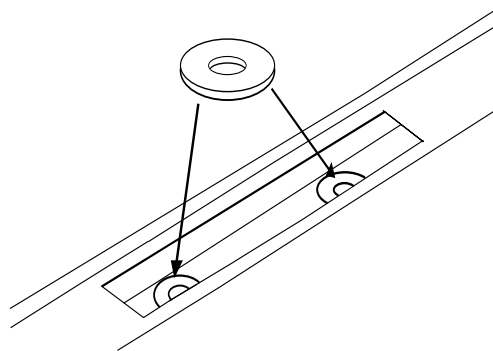
5 Using the mounting pad layout pictured below as a guide, place the pads onto their respective positions.



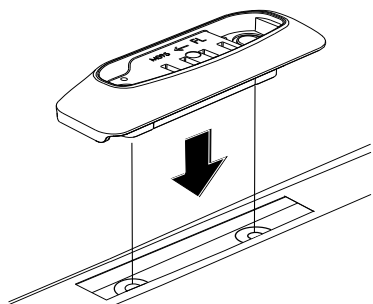
6 Place the M8 spring and flat washer onto the M8 screw. Place the O ring no to the screw and push the O ring up against the flat washer. The front and rear mounting pads use M8 x 50mm button head screws and the middle-mounting pads use M8 x 40mm button head screws.



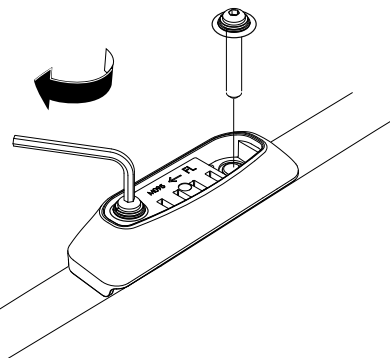
7 Place the mounting pad washer gasket in the gutter recess and align the hole in the washer gasket with the mounting pad nutserts.



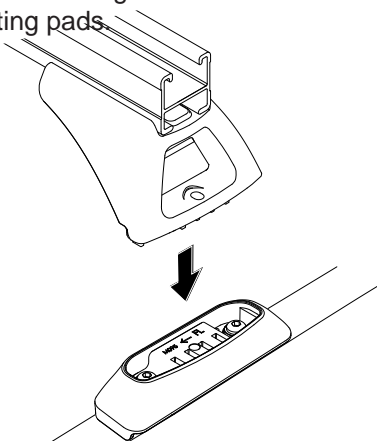
8 Insert the mounting pad through the cover trim and into the roof gutter at the positions shown on the roof layout, diagram 5. Ensure that the arrows on the pads are pointing to the front of the vehicle and the holes in the washer gasket are aligned with the mounting pad holes.



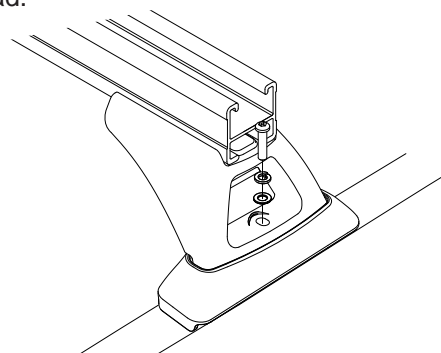
9 Insert the assembled screws through the mounting pads and screw into the nutserts in the vehicles roof. Tighten all screws using the allen key provided. Recommended tightening torque 15Nm. **DO NOT OVER TIGHTEN.**



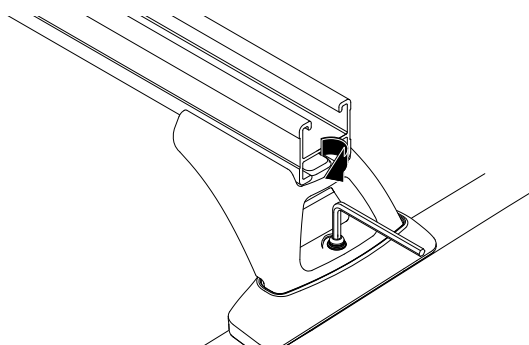
10 Insert the RLCP leg and cross bar assembly onto the mounting pads.



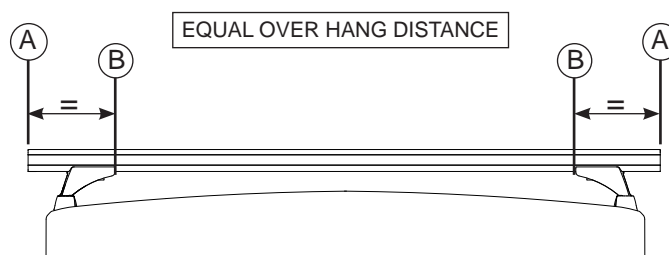
11 Place the M6 spring washer and M6 flat washer onto the M6 x 32mm button head security screw. Insert the M6 screw through the support leg and screw into the mounting pad.



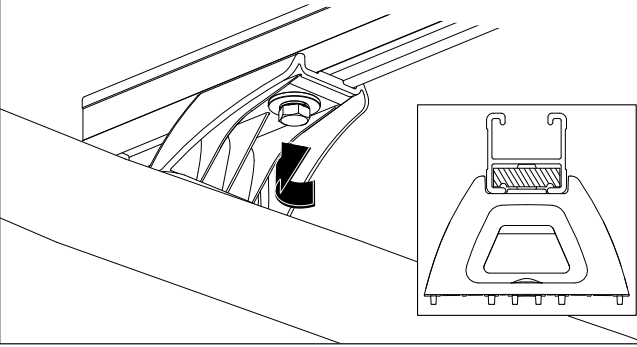
12 Use the security allen key provided to tighten RLCP leg attachment screws to secure the cross bars. Recommended tightening torque 4-5Nm. **DO NOT OVER TIGHTEN.**



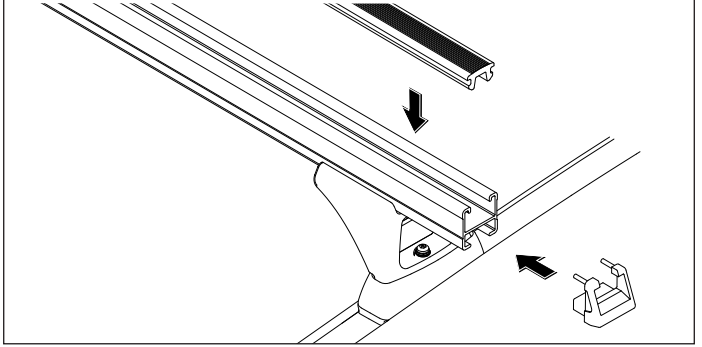
13 Check the cross bar over hang (A) (B) is equal on both sides, re-adjust if required.



- 14** Check that the channel nut is located across the cross bar. Tighten the M10 attachment bolts. Recommended tightening torque 18N/m. **DO NOT OVER TIGHTEN.**



- 15** Insert the rubber buffer strip into the top of the cross bar. Insert end caps into each end of the cross bars, a rubber mallet may be required to fit the end caps.



Removing the Cross Bar Assembly

Insert the short end of the allen key into the head of the M6 security screw and remove the screw. Remove cross bars, the mounting pad can remain attached to the vehicle. Install cover plates onto mounting pads using M6 x 32mm bolts (refer to supplement fitting instruction on cover plate installation). Do not remove the mounting legs from the cross bars. Store cross bars and hard ware in a safe place for future use.

Refitting the Cross Bar Assembly

To refit the cross bar assemblies, place the cross bars onto the mounting pads in their preset positions. Insert the M6 screw assembly as per step 11, using the short end of the security allen key, tighten the bolt as recommended in step 12.

Important Information

RECOMMENDATIONS:

Please refer to your vehicle manufacturer's operating manual for maximum roof load rating.

It is essential that all bolt connections be checked after driving a short distance when you first install your Rhino-Rack Cross bars. Bolt connections should be checked again at regular intervals (probably once a week is enough, depending on road conditions, usage, loads and distances travelled). You should also check the roof bars each time they are refitted.

Cross bars and accessories should be cleaned and all screw threads should be lubricated at regular intervals. Rhino-Rack offers a 3 year warranty to the original purchaser of the Rhino-Rack roof rack system and Accessories. Rhino-Rack cannot be held responsible for incorrect mounting of the roof rack system or for usage that exceeds vehicle and production tolerances.

Make sure to fasten your load securely. Please ensure that all loads are evenly distributed and that the centre of gravity is kept as low as possible. Use only non-stretch fastening ropes or straps.

Sensitivity to cross winds, behaviour in curves and braking.

The handling characteristics of the vehicle change when you transport a load on the roof. For safety reasons, we recommend you exercise extreme care when transporting wind-resisting loads; special consideration must be taken into account when braking.

Please remove cross bars when putting vehicle through an automatic car wash.

Load ratings.

The vehicle manufacturer's recommended load rating is the maximum permissible load per pair of roof racks (include the weight of the roof rack, 5kg). When roof bars are to be used in extreme off-road conditions please build a safety factor of 1.5 into this maximum load limit. Although roof bars are tested and approved to AS1235-2000, Australian road conditions can be much more rigorous.

Note for fitters and dealers.

It is your responsibility to ensure instructions are given to the end user or client.

Rhino-Rack
3 Pike Street, Rydalmere,
NSW 2116, Australia.
(Ph) (02) 9638 4744 (Fax) (02) 9638 4822

Document No: RR-94
Prepared By: Andy Wana
Authorised By: Chris Murty

Issue No: 06
Issue Date: 19/02/2013

These instructions remain the property of Rhino-Rack Australia Pty. Ltd. and may not be used or changed for any other purpose than intended.