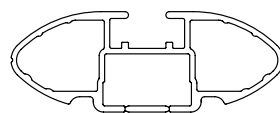




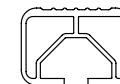
CROSSBAR IDENTIFICATION



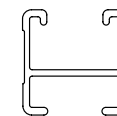
VA crossbar




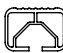
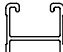
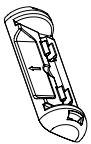

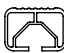

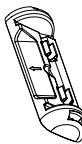
Steel Euro crossbar



EURO crossbar



HD crossbar

			FRONT CROSSBAR					REAR CROSSBAR						
			 Steel Euro VA	 EURO	 HD					 Steel Euro VA	 EURO	 HD		
Vehicle	Date	Crossbar	Front Right Pad/Clamp	Front Left Pad/Clamp	Measurement strip length per side	Measurement strip length per side	Measurement Distance (x)	Foot plate arrow direction	Rear Right Pad/Clamp	Rear Left Pad/Clamp	Measurement strip length per side	Measurement strip length per side	Measurement Distance (x)	Foot plate arrow direction
Toyota C-HR 4dr wagon	17 - on	1180mm	M924 SUB0793	M923 SUB0793	183mm	128mm	-	OUT	M926 SUB0794	M925 SUB0794	169mm	114mm	-	OUT
			OUT						OUT					



Rhino Rack 2500 Series - DK494 instruction

CONTROLLED

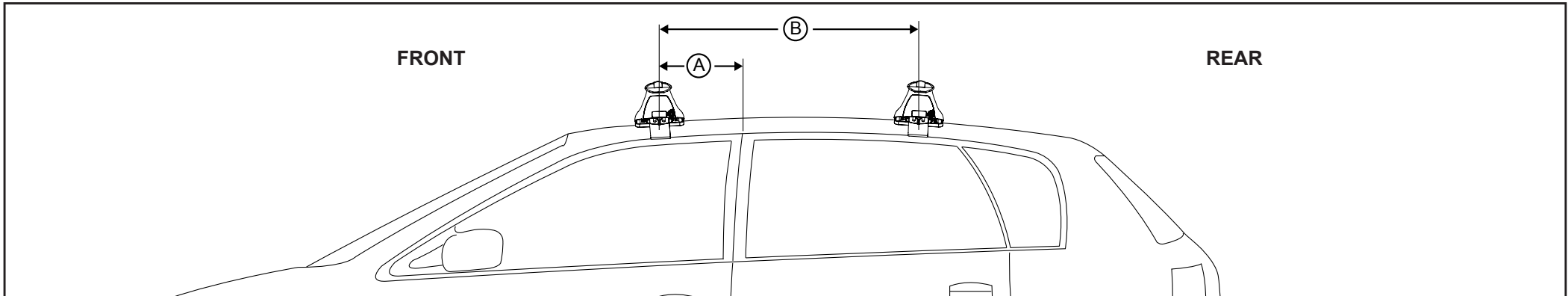
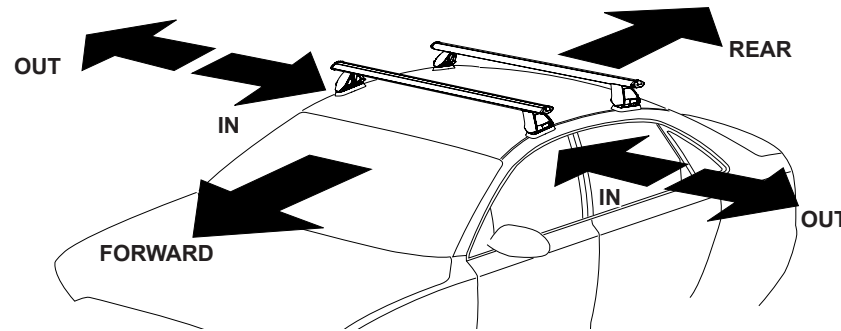
Measurement A: CENTRE of door jamb to CENTRE arrow of leg foot plate.

Measurement B: CENTRE of Front leg foot plate arrow to CENTRE of Rear leg foot plate arrow.

Carrying capacity: Roof rack is rated up to 75kg. Please refer to manufacturers handbook for your vehicles maximum roof load capacity. Always use the lower of the two figures.

If your vehicle is not listed on this fitting instruction please refer to your countries Rhino-Rack web site for the latest information.

Direction of Pad Arrow and Foot Plate Arrow



VEHICLE	Date	Measurement A	Measurement B	Load Rating up to (includes racks 5kg/ 11lbs)
Toyota C-HR 4dr wagon	17-	310mm / 12 3/16"	750mm / 29 1/2"	75kg / 165lbs