



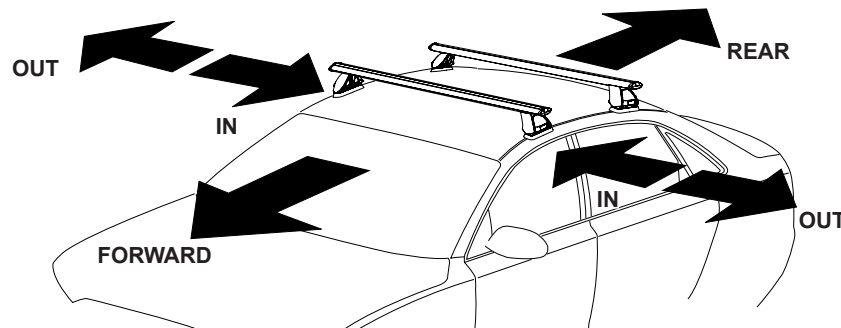
Rhino-Rack 2500 Series

CONTROLLED

**Instruction for
DK488 and RS739**

			FRONT						REAR					
			Crossbar Identification						Crossbar Identification					
			VA	EURO	HD				VA	EURO	HD			
Vehicle	Date	Crossbar	Front Right Pad/Clamp	Front Left Pad/Clamp	Measurement strip length per side	Measurement strip length per side	Measurement Distance (x)	Foot plate arrow direction	Rear Right Pad/Clamp	Rear Left Pad/Clamp	Measurement strip length per side	Measurement strip length per side	Measurement Distance (x)	Foot plate arrow direction
CHEVROLET Equinox 5dr SUV	18-	1260mm	M415 SUB0155	M414 SUB0155	175mm	120mm	998mm / 39,5/16"	OUT Front Right M881	M415 SUB0369	M414 SUB0369	157mm	102mm	962mm / 37,7/8"	OUT M311
			Pad Arrow Out					OUT Front Left M879	Pad Arrow Out					

Table above refers to Direction of Pad Arrow and Foot Plate Arrow when fitted on the vehicle.



If your vehicle is not listed on this fitting instruction please refer to your countries Rhino-Rack web site for the latest information.



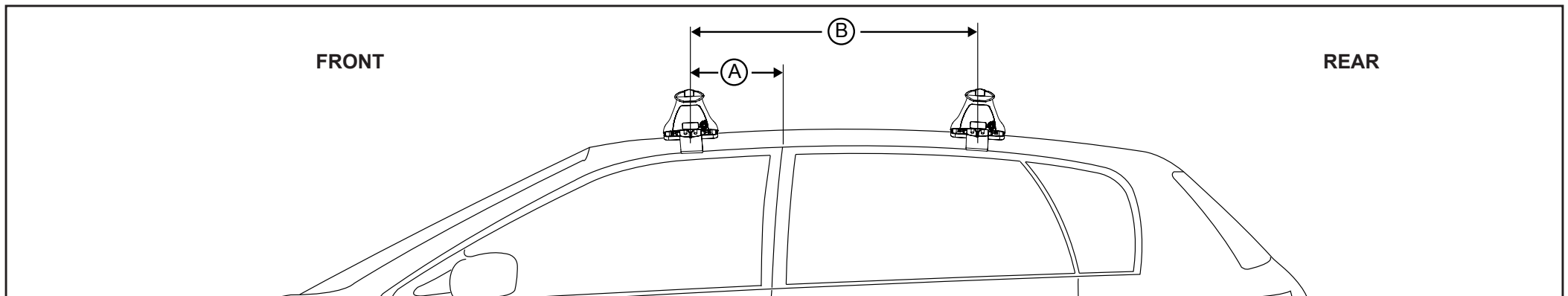
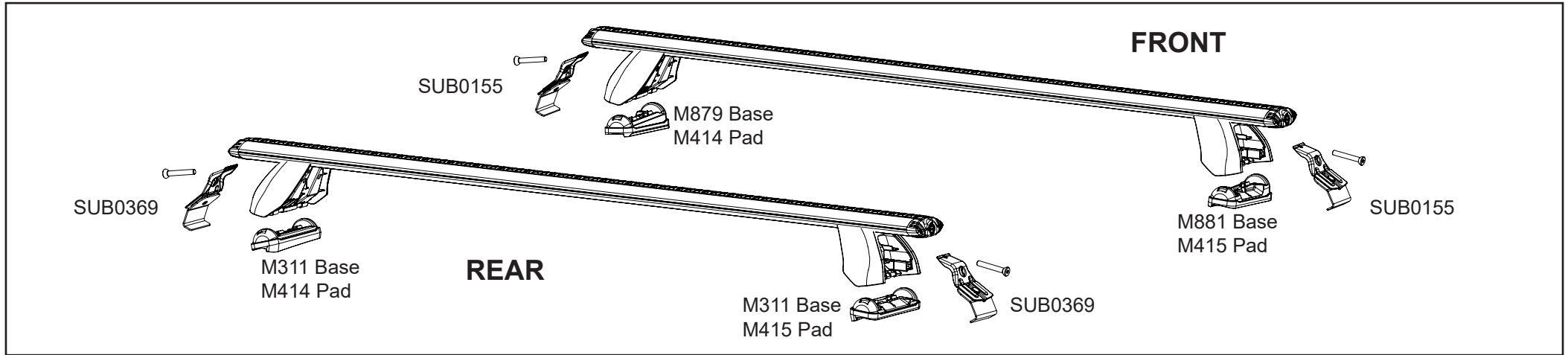
Rhino-Rack 2500 Series

CONTROLLED

Measurement A: CENTRE of door jamb to CENTRE arrow of leg foot plate.

Measurement B: CENTRE of Front leg foot plate arrow to CENTRE of Rear leg foot plate arrow.

Carrying capacity: Roof rack is rated up to 75kg. Please refer to manufacturers handbook for your vehicles maximum roof load capacity. Always use the lower of the two figures.



VEHICLE	Date	Measurement A	Measurement B	Load Rating up to (includes racks 5kg/ 11lbs)
CHEVROLET Equinox 5dr SUV	18-	200mm / 7,7/8"	700mm / 27,9/16"	75kg / 165lbs