



Rhino-Rack 2500 Series

CONTROLLED

**Instruction for
DK486 and RS737**

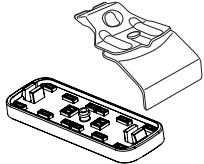
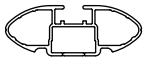

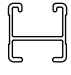
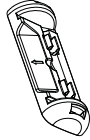
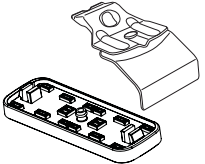



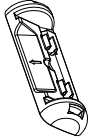
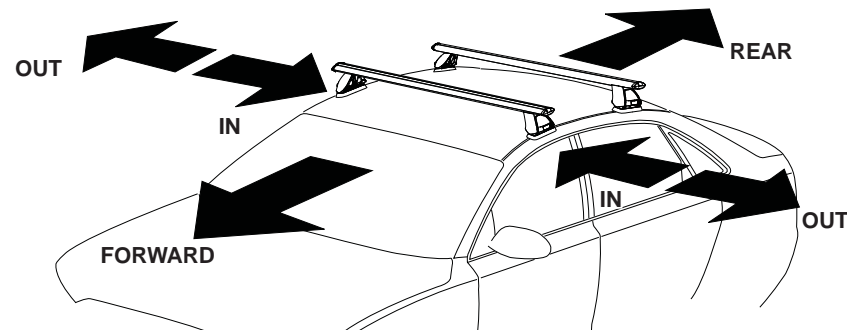
| | | FRONT | | | | | | | REAR | | | | | |
|---------------------------|------|---|---|--|---|---|----------------------------|----------------------------|---|---|---|---|---|----------------------------|
| | | Crossbar Identification | | | | | | | Crossbar Identification | | | | | |
| | |  |  |  |  |  | | |  |  |  |  |  | |
| Vehicle | Date | Crossbar | Front Right Pad/Clamp | Front Left Pad/Clamp | Measurement strip length per side | Measurement strip length per side | Measurement Distance (x) | Foot plate arrow direction | Rear Right Pad/Clamp | Rear Left Pad/Clamp | Measurement strip length per side | Measurement strip length per side | Measurement Distance (x) | Foot plate arrow direction |
| AUDI A4 & S4 4dr Sedan B9 | 16- | 1260mm | M565 SUB0618 | M564 SUB0618 | 159mm | 46mm | 966mm / 38,1/32" | OUT | M564 SUB0669 | M565 SUB0669 | 140mm | 27mm | 928mm / 36,17/32" | OUT |
| | | | Pad Arrow Out | | | | | | Pad Arrow Out | | | | | |

Table above refers to Direction of Pad Arrow and Foot Plate Arrow when fitted on the vehicle.





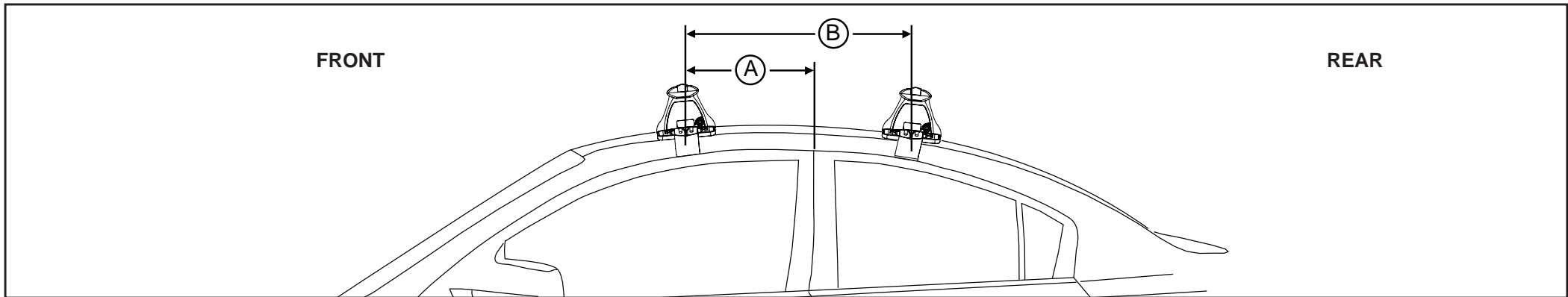
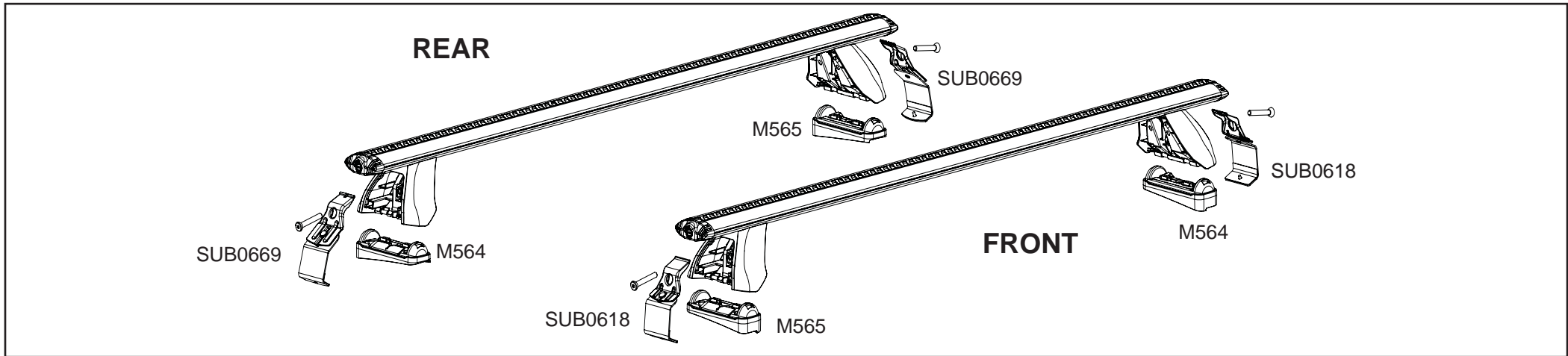
Rhino-Rack 2500 Series

CONTROLLED

Measurement A: CENTRE of door jamb to CENTRE arrow of leg foot plate.

Measurement B: CENTRE of Front leg foot plate arrow to CENTRE of Rear leg foot plate arrow.

Carrying capacity: Roof rack is rated up to 75kg. Please refer to manufacturers handbook for your vehicles maximum roof load capacity. Always use the lower of the two figures.



| VEHICLE | Date | Measurement A | Measurement B | Load Rating up to (includes racks 5kg/ 11lbs) |
|---------------------------|------|-----------------|------------------|--|
| AUDI A4 & S4 4dr Sedan B9 | 16- | 315mm / 12,3/8" | 815mm / 32,1/16" | 75kg / 165lbs |