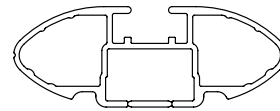
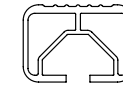




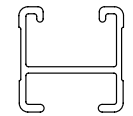
**CROSSBAR IDENTIFICATION**



**VA crossbar**



**EURO crossbar**



**HD crossbar**

Vehicle	Date	Crossbar	FRONT CROSSBAR						REAR CROSSBAR					
			Front Right Pad/Clamp	Front Left Pad/Clamp	Measurement strip length per side	Measurement strip length per side	Measurement Distance ( x )	Foot plate arrow direction	Rear Right Pad/Clamp	Rear Left Pad/Clamp	Measurement strip length per side	Measurement strip length per side	Measurement Distance ( x )	Foot plate arrow direction
Jaguar F-Pace 5dr SUV	07/16 -	1375mm	M506 SUB0739	M505 SUB0739	175mm	-	-	OUT	M368 SUB0739	M368 SUB0739	155mm	-	-	OUT
			Pad Arrow OUT						Pad Arrow OUT					



# Rhino Rack 2500 Series - DK482 instruction

**CONTROLLED**

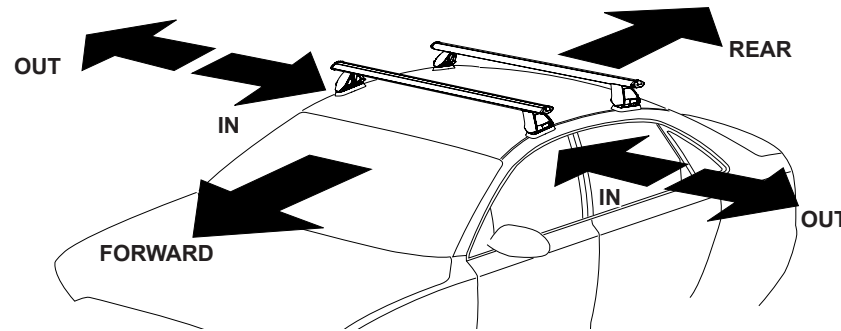
**Measurement A:** CENTRE of door jamb to CENTRE arrow of leg foot plate.

**Measurement B:** CENTRE of Front leg foot plate arrow to CENTRE of Rear leg foot plate arrow.

**Carrying capacity:** Roof rack is rated up to 75kg. Please refer to manufacturers handbook for your vehicles maximum roof load capacity. Always use the lower of the two figures.

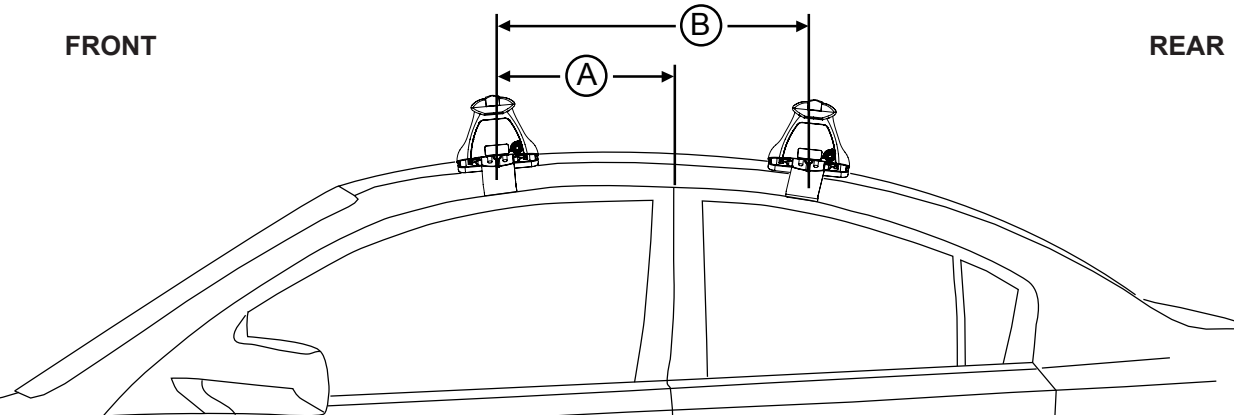
If your vehicle is not listed on this fitting instruction please refer to your countries Rhino-Rack web site for the latest information.

## Direction of Pad Arrow and Foot Plate Arrow



FRONT

REAR



VEHICLE	Date	Measurement A	Measurement B	Load Rating up to (includes racks 5kg/ 11lbs)
Jaguar F-Pace 5dr SUV	07/16-	200mm / 7,7/8"	700mm / 27,9/16"	75kg / 165lbs