



# Rhino-Rack 2500 Series

**CONTROLLED**

**Instruction for  
DK481 and RS732**

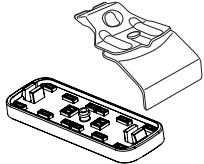
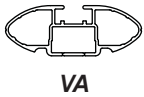


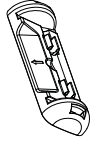
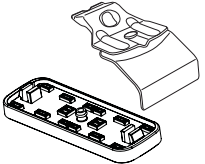



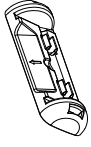
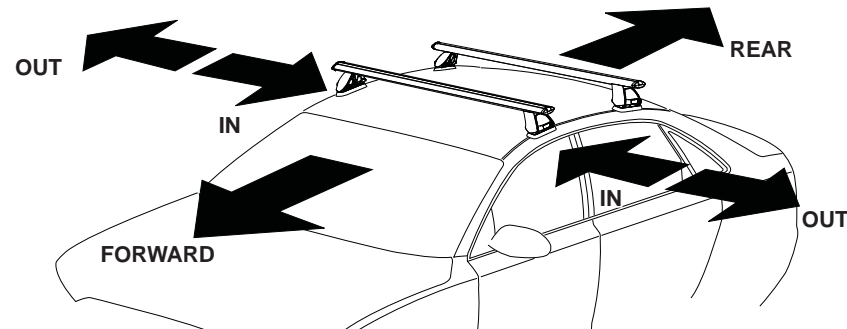
		<b>FRONT</b>							<b>REAR</b>					
		<b>Crossbar Identification</b>							<b>Crossbar Identification</b>					
														
Vehicle	Date	Crossbar	Front Right Pad/Clamp	Front Left Pad/Clamp	Measurement strip length per side	Measurement strip length per side	Measurement Distance ( x )	Foot plate arrow direction	Rear Right Pad/Clamp	Rear Left Pad/Clamp	Measurement strip length per side	Measurement strip length per side	Measurement Distance ( x )	Foot plate arrow direction
SUZUKI Ignis 5dr SUV	17-	1180mm	M435 SUB0374	M436 SUB0374	186mm	131mm	940mm / 37,1/64"	OUT	M366 SUB0382	M366 SUB0382	157mm	102mm	882mm / 34,47/64"	OUT
			Pad Arrow Forward						Pad Arrow Forward					

Table above refers to Direction of Pad Arrow and Foot Plate Arrow when fitted on the vehicle.



If your vehicle is not listed on this fitting instruction please refer to your countries Rhino-Rack web site for the latest information.



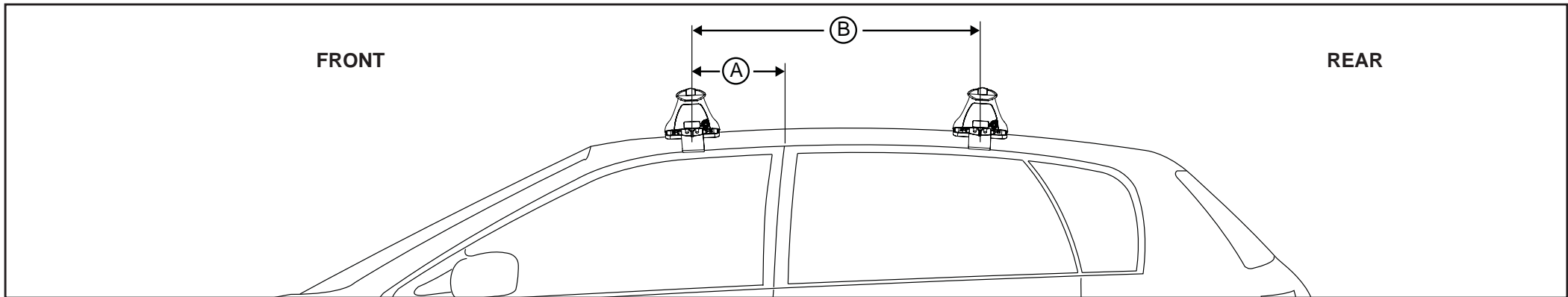
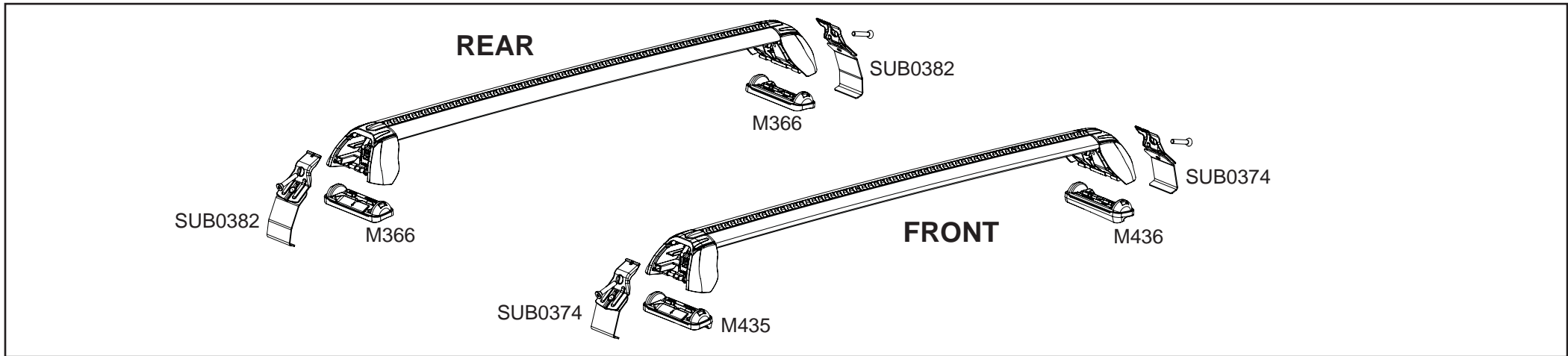
# Rhino-Rack 2500 Series

**CONTROLLED**

**Measurement A:** CENTRE of door jamb to CENTRE arrow of leg foot plate.

**Measurement B:** CENTRE of Front leg foot plate arrow to CENTRE of Rear leg foot plate arrow.

**Carrying capacity:** Roof rack is rated up to 75kg. Please refer to manufacturers handbook for your vehicles maximum roof load capacity. Always use the lower of the two figures.



VEHICLE	Date	Measurement A	Measurement B	Load Rating up to (includes racks 5kg/ 11lbs)
SUZUKI Ignis 5dr SUV	17-	270mm / 10,5/8"	720mm / 28,11/32"	50kg / 110lbs