



Rhino-Rack 2500 Series

CONTROLLED

**Instruction for
DK479 and RS729**

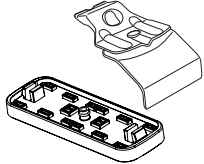
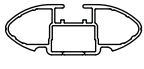

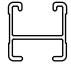
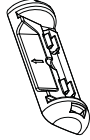
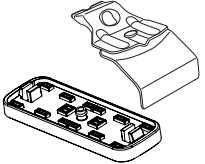



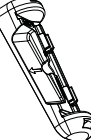
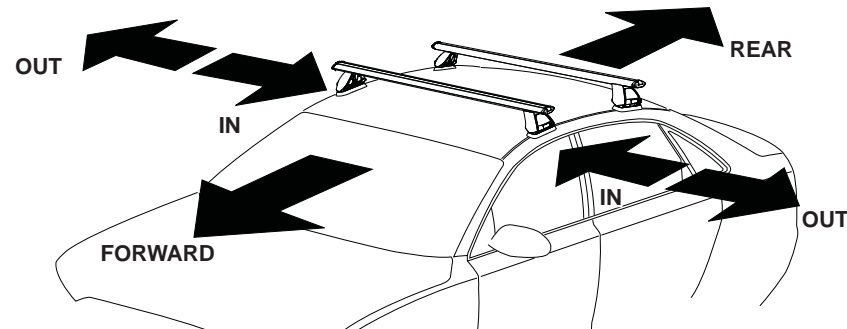
		FRONT							REAR					
		Crossbar Identification							Crossbar Identification					
														
Vehicle	Date	Crossbar	Front Right Pad/Clamp	Front Left Pad/Clamp	Measurement strip length per side	Measurement strip length per side	Measurement Distance (x)	Foot plate arrow direction	Rear Right Pad/Clamp	Rear Left Pad/Clamp	Measurement strip length per side	Measurement strip length per side	Measurement Distance (x)	Foot plate arrow direction
KIA Stinger 5dr Liftback	17-	1260mm	M435 SUB0176	M436 SUB0176	185mm	72mm	1018mm / 40,3/32"	OUT M311	M368 SUB0176	M368 SUB0176	164mm	51mm	976mm / 38,7/16"	OUT Rear Right M879
			Pad Arrow Forward						Pad Arrow Out					OUT Rear Left M881

Table above refers to Direction of Pad Arrow and Foot Plate Arrow when fitted on the vehicle.





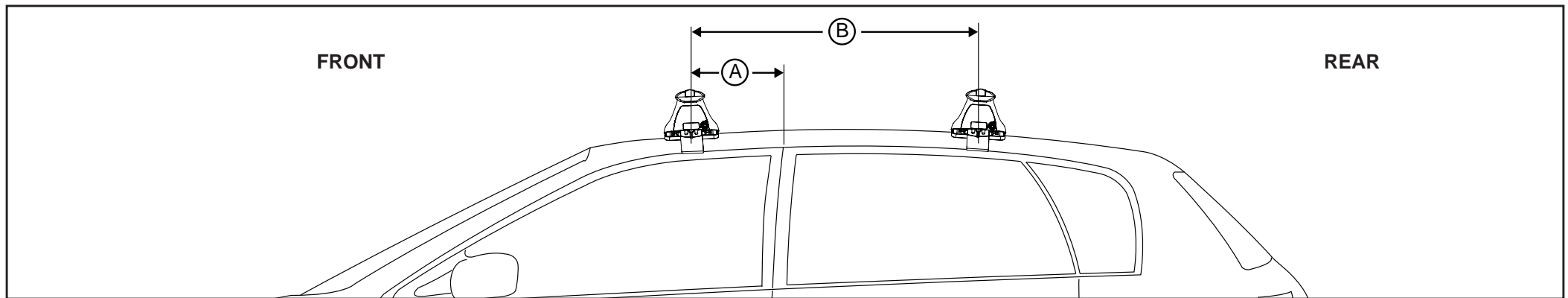
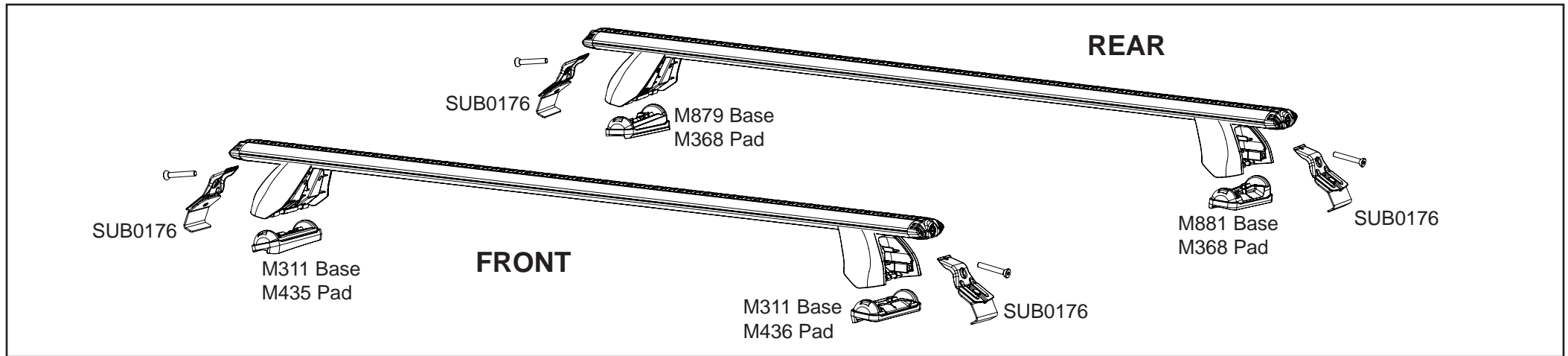
Rhino-Rack 2500 Series

CONTROLLED

Measurement A: CENTRE of door jamb to CENTRE arrow of leg foot plate.

Measurement B: CENTRE of Front leg foot plate arrow to CENTRE of Rear leg foot plate arrow.

Carrying capacity: Roof rack is rated up to 75kg. Please refer to manufacturers handbook for your vehicles maximum roof load capacity. Always use the lower of the two figures.



VEHICLE	Date	Measurement A	Measurement B	Load Rating up to (includes racks 5kg/ 11lbs)
KIA Stinger 5dr Liftback	17-	240mm / 9,29/64"	750mm / 29,17/32"	75kg / 165lbs