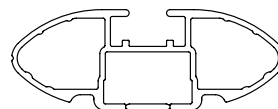
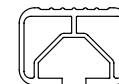




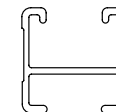
CROSSBAR IDENTIFICATION



VA crossbar



EURO crossbar



HD crossbar

Vehicle	Date	Crossbar	FRONT CROSSBAR						REAR CROSSBAR					
			Front Right Pad/Clamp	Front Left Pad/Clamp	Measurement strip length per side	Measurement strip length per side	Measurement Distance (x)	Foot plate arrow direction	Rear Right Pad/Clamp	Rear Left Pad/Clamp	Measurement strip length per side	Measurement strip length per side	Measurement Distance (x)	Foot plate arrow direction
Honda Civic 4dr sedan 10th Gen	16-	1260mm	M282 SUB0574	M281 SUB0574	144mm	31mm	936mm / 36,27/32"	OUT	M284 SUB0459	M283 SUB0459	128mm	15mm	998mm / 39,19/64"	OUT
			Pad Arrow FORWARD						Pad Arrow FORWARD					



Rhino Rack 2500 Series - DK453 instruction

CONTROLLED

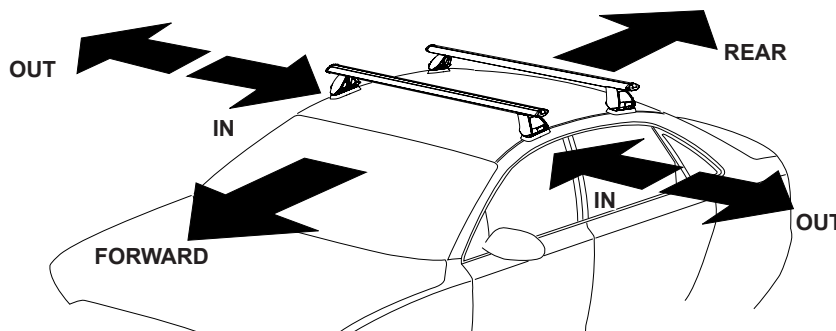
Measurement A: CENTRE of door jamb to CENTRE arrow of leg foot plate.

Measurement B: CENTRE of Front leg foot plate arrow to CENTRE of Rear leg foot plate arrow.

Carrying capacity: Roof rack is rated up to 75kg. Please refer to manufacturers handbook for your vehicles maximum roof load capacity. Always use the lower of the two figures.

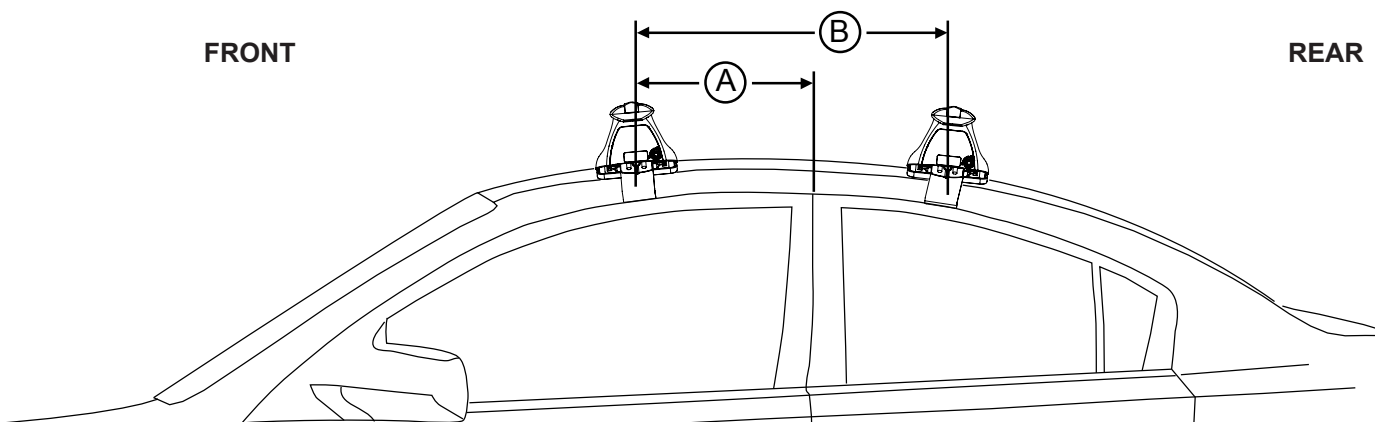
If your vehicle is not listed on this fitting instruction please refer to your countries Rhino-Rack web site for the latest information.

Direction of Pad Arrow and Foot Plate Arrow



FRONT

REAR



VEHICLE	Date	Measurement A	Measurement B	Load Rating up to (includes racks 5kg/ 11lbs)
Honda Civic 4DR sedan 10th Gen	16-	300mm / 11,13/16"	700mm / 27,9/16"	75kg / 165lbs