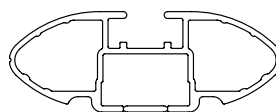
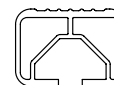




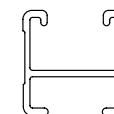
IDENTIFICATION CHART



VA crossbar



EURO crossbar



HD crossbar

Vehicle	Date	Crossbar	FRONT CROSSBAR					REAR CROSSBAR						
			Front Right Pad/ Clamp	Front Left Pad/ Clamp	Measurement strip length per side	Measurement strip length per side	Measurement Distance (x)	Foot plate arrow direction	Rear Right Pad/ Clamp	Rear Left Pad/ Clamp	Measurement strip length per side	Measurement strip length per side	Measurement Distance (x)	Foot plate arrow direction
Toyota Fortuner 2nd Gen	11/15-	1260mm	M282 SUB0641	M281 SUB0641	145mm	32mm	938mm / 36, 15/16	OUT	M700 SUB0641	M699 SUB0641	141mm	28mm	930mm / 36, 5/8"	OUT
			Pad Arrow FORWARD						Pad Arrow FORWARD					



DK441 DK441F, DK441R Rhino-Rack VA, Euro & HD crossbar instruction

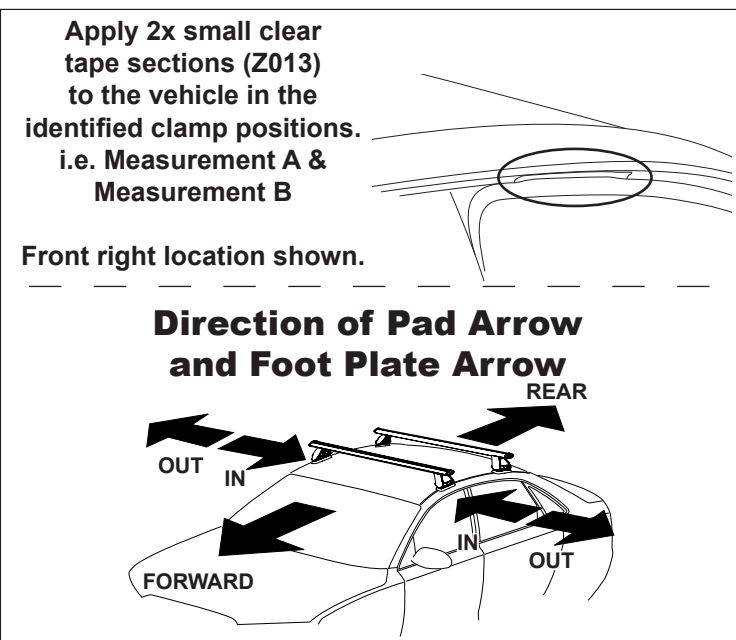
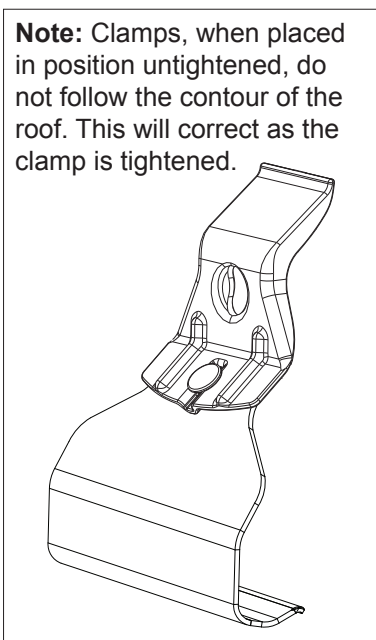
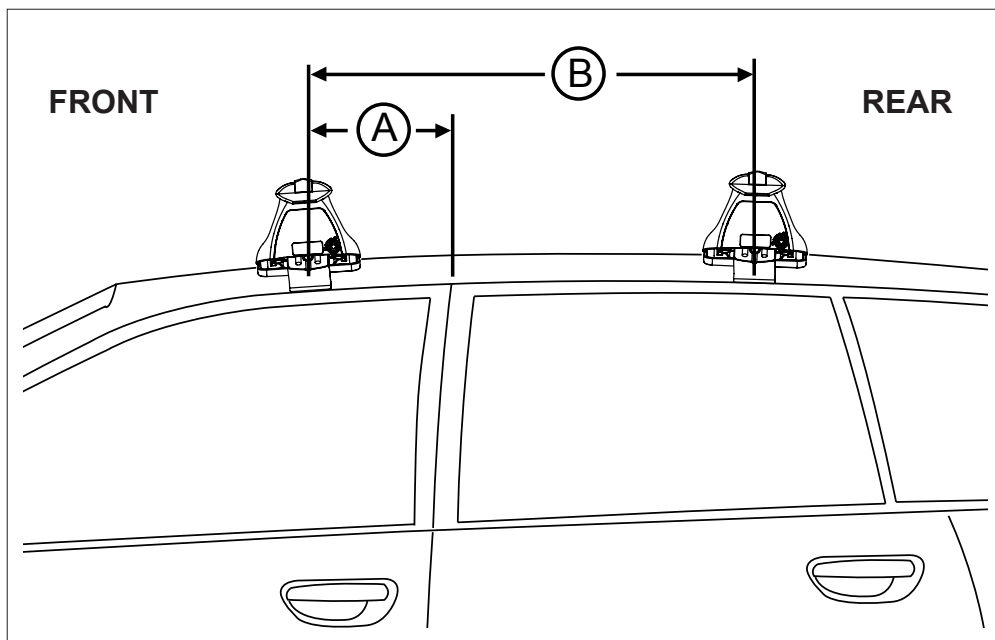
CONTROLLED

Measurement A: CENTRE of door jamb to CENTRE arrow of leg foot plate.

Measurement B: CENTRE of Front leg foot plate arrow to CENTRE of Rear leg foot plate arrow.

Carrying capacity: Roof rack is rated up to 75kg. Please refer to manufacturers handbook for your vehicles maximum roof load capacity. Always use the lower of the two figures.

If your vehicle is not listed on this fitting instruction please refer to your countries Rhino-Rack web site for the latest information.



VEHICLE	Date	Measurement A	Measurement B	Measurement C	Load Rating up to (includes racks 5kg/ 11lbs)
Toyota Fortuner 2nd Gen	11/2015 -	255mm / 10,5/64"	700mm / 27,1/2"	445mm/ 17,1/2"	75kg / 165lbs