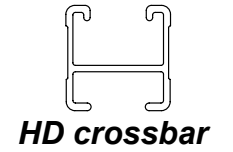
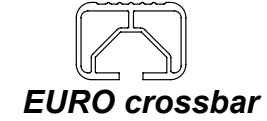
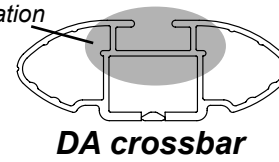
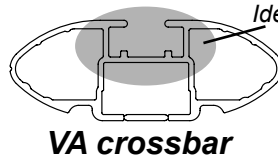




IDENTIFICATION CHART



		FRONT CROSSBAR							REAR CROSSBAR						
Vehicle	Date	Crossbar	Front Right Pad/Clamp	Front Left Pad/Clamp	Measurement strip length per side	Measurement strip length per side	Measurement Distance (x)	Foot plate arrow direction	Rear Right Pad/Clamp	Rear Left Pad/Clamp	Measurement strip length per side	Measurement strip length per side	Measurement Distance (x)	Foot plate arrow direction	
Volkswagen Up! 3dr hatch	12-	1180mm	M415 SUB0570	M414 SUB0570	203mm	148mm	974mm / 38,11/32"	OUT	M416 SUB0571	M416 SUB0571	192mm	137mm	952mm / 37,31/64"	OUT	
			Pad Arrow OUT						Pad Arrow OUT						



Rhino Rack 2500 Series - DK411 instruction

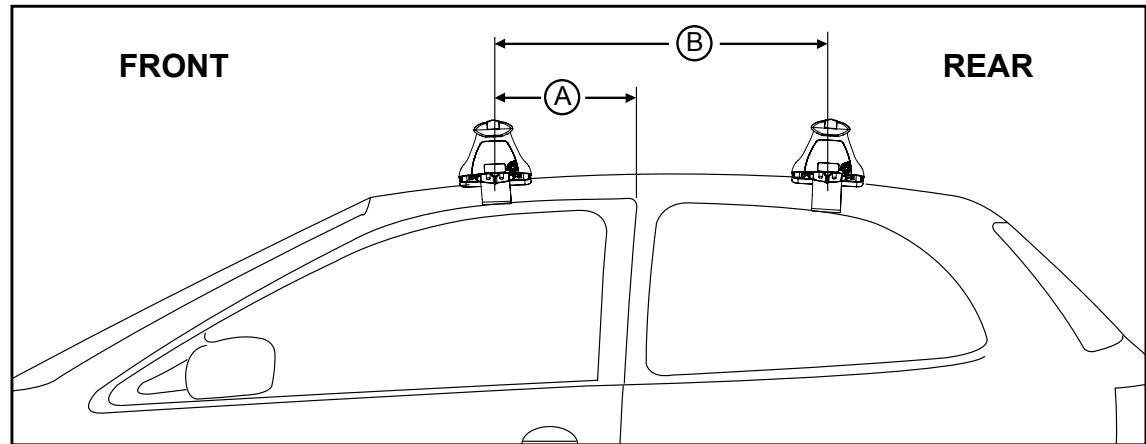
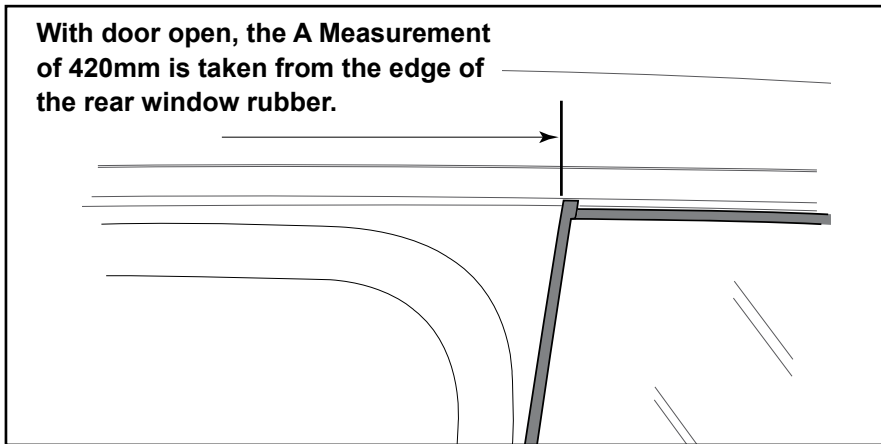
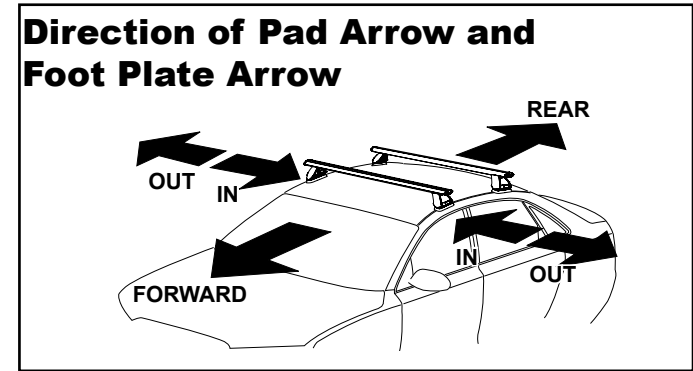
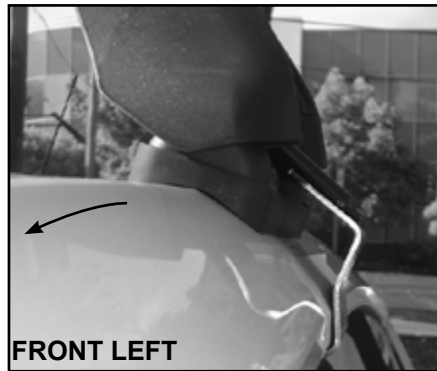
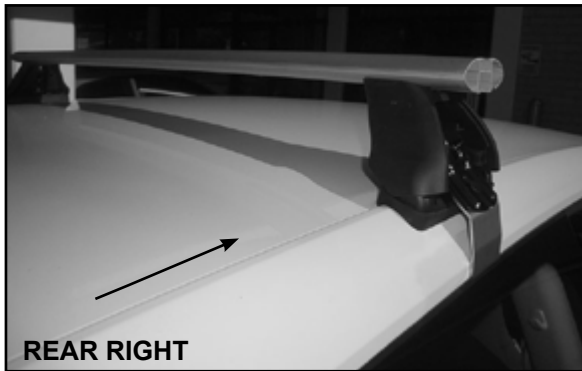
CONTROLLED

Measurement A: CENTRE of door jamb to CENTRE arrow of leg foot plate.

Measurement B: CENTRE of Front leg foot plate arrow to CENTRE of Rear leg foot plate arrow.

Carrying capacity: Roof rack is rated to 75kg. Please refer to manufacturers handbook for your vehicles maximum roof load capacity. Always use the lower of the two figures.

If your vehicle is not listed on this fitting instruction please refer to your countries Rhino-Rack web site for the latest information.



VEHICLE	Date	Measurement A	Measurement B	Load Rating (includes racks 5kg/ 11lbs)
Volkswagen Up! 3dr hatch	12-	420mm / 16,35/64"	700mm / 27,9/16"	75kg / 165lbs