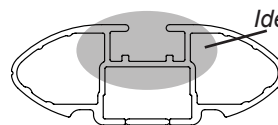


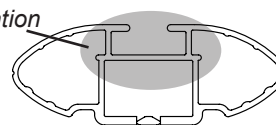


DK397 Rhino-Rack VA, DA, Euro & HD crossbar instruction

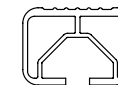
IDENTIFICATION CHART



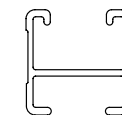
VA crossbar



DA crossbar



EURO crossbar



HD crossbar

		FRONT CROSSBAR						REAR CROSSBAR						
Vehicle	Date	Crossbar	Front Right Pad/ Clamp	Front Left Pad/ Clamp	Measurement strip length per side	Measurement strip length per side	Measurement Distance (x)	Foot plate arrow direction	Rear Right Pad/ Clamp	Rear Left Pad/ Clamp	Measurement strip length per side	Measurement strip length per side	Measurement Distance (x)	Foot plate arrow direction
Nissan Leaf	2011 -	1180mm	142660 SUB0370	142659 SUB0370	195mm	140mm	958mm / 37,23/32"	OUT	M366 SUB0256	M366 SUB256	205mm	150mm	978mm / 38,1/2"	OUT
			Pad Arrow OUT						Pad Arrow OUT					



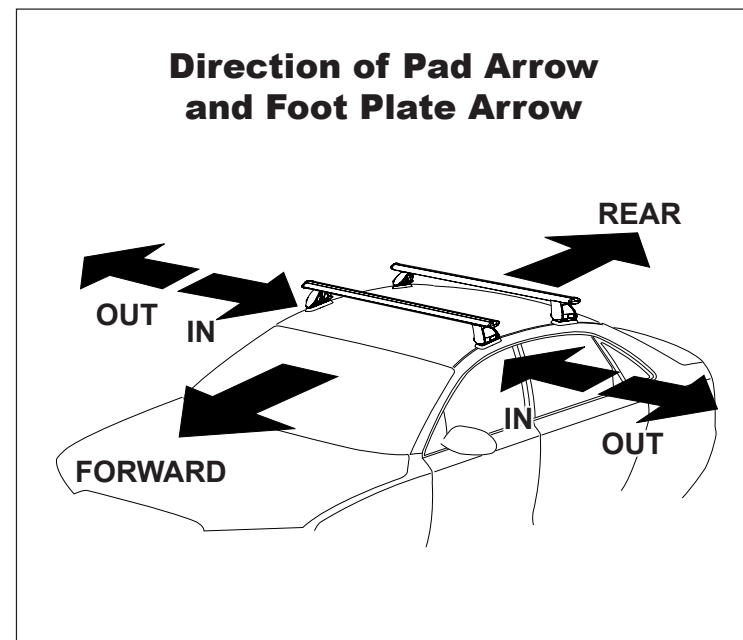
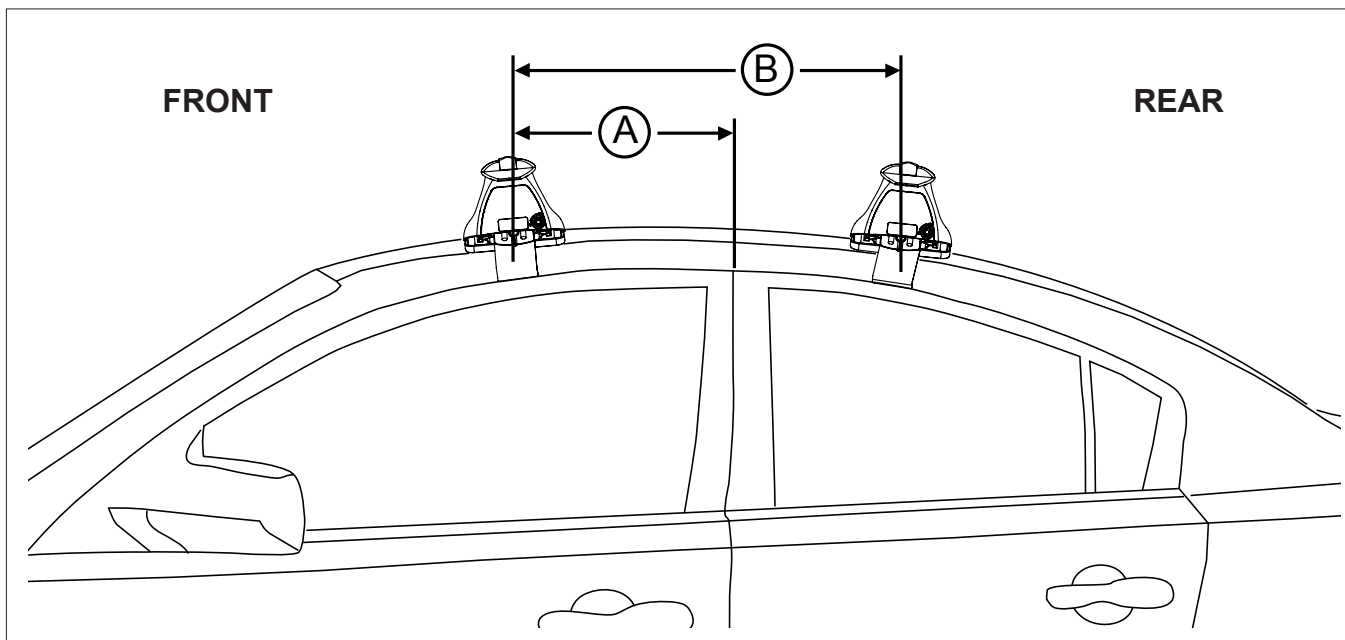
DK397 Rhino-Rack VA, DA, Euro & HD crossbar instruction

Measurement A: CENTRE of door jamb to CENTRE arrow of leg foot plate.

Measurement B: CENTRE of Front leg foot plate arrow to CENTRE of Rear leg foot plate arrow.

Carrying capacity: Roof rack is rated to 75kg. Please refer to manufacturers handbook for your vehicles maximum roof load capacity. Always use the lower of the two figures.

If your vehicle is not listed on this fitting instruction please refer to your countries Rhino-Rack web site for the latest information.



VEHICLE	Date	Measurement A	Measurement B	Load Rating (includes racks 5kg/ 11lbs)
Nissan Leaf	2011 -	240mm / 9,29/64"	750mm / 29,17/32"	75kg / 165lbs