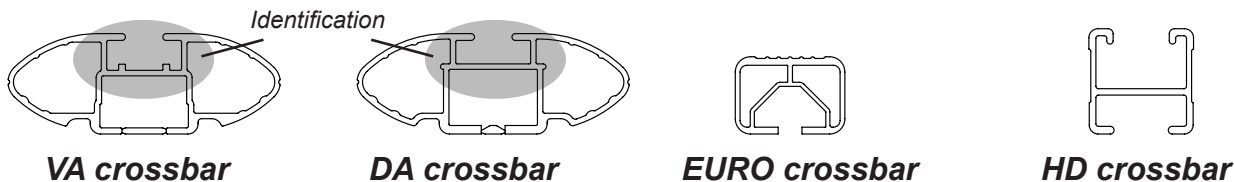




# DK369 Rhino-Rack VA, DA, Euro & HD crossbar instruction

## IDENTIFICATION CHART



Vehicle	Date	Crossbar	FRONT CROSSBAR					REAR CROSSBAR						
			Front Right Pad/ Clamp	Front Left Pad/ Clamp	Measurement strip length per side	Measurement strip length per side	Measurement Distance ( x )	Foot plate arrow direction	Rear Right Pad/ Clamp	Rear Left Pad/ Clamp	Measurement strip length per side	Measurement strip length per side	Measurement Distance ( x )	Foot plate arrow direction
Nissan Pulsar 4dr sedan B17	02/13-	1180mm	M282 SUB0380	M282 SUB0380	201mm	146mm	970mm / 38,3/16"	OUT	M284 SUB0382	M284 SUB0382	179mm	124mm	926mm / 36,29/64"	OUT
			Arrow FORWARD						Arrow FORWARD					
Nissan Sentra 4dr sedan B17	13-	1180mm	M282 SUB0380	M282 SUB0380	201mm	146mm	970mm / 38,3/16"	OUT	M284 SUB0382	M284 SUB0382	179mm	124mm	926mm / 36,29/64"	OUT
			Arrow FORWARD						Arrow FORWARD					
Nissan Sylphy 4dr sedan B17	13-	1180mm	M282 SUB0380	M282 SUB0380	201mm	146mm	970mm / 38,3/16"	OUT	M284 SUB0382	M284 SUB0382	179mm	124mm	926mm / 36,29/64"	OUT
			Arrow FORWARD						Arrow FORWARD					



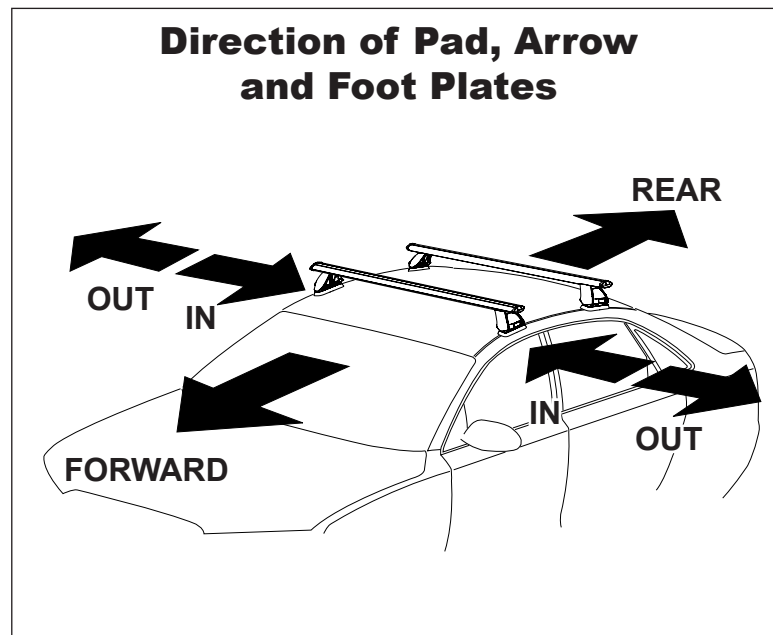
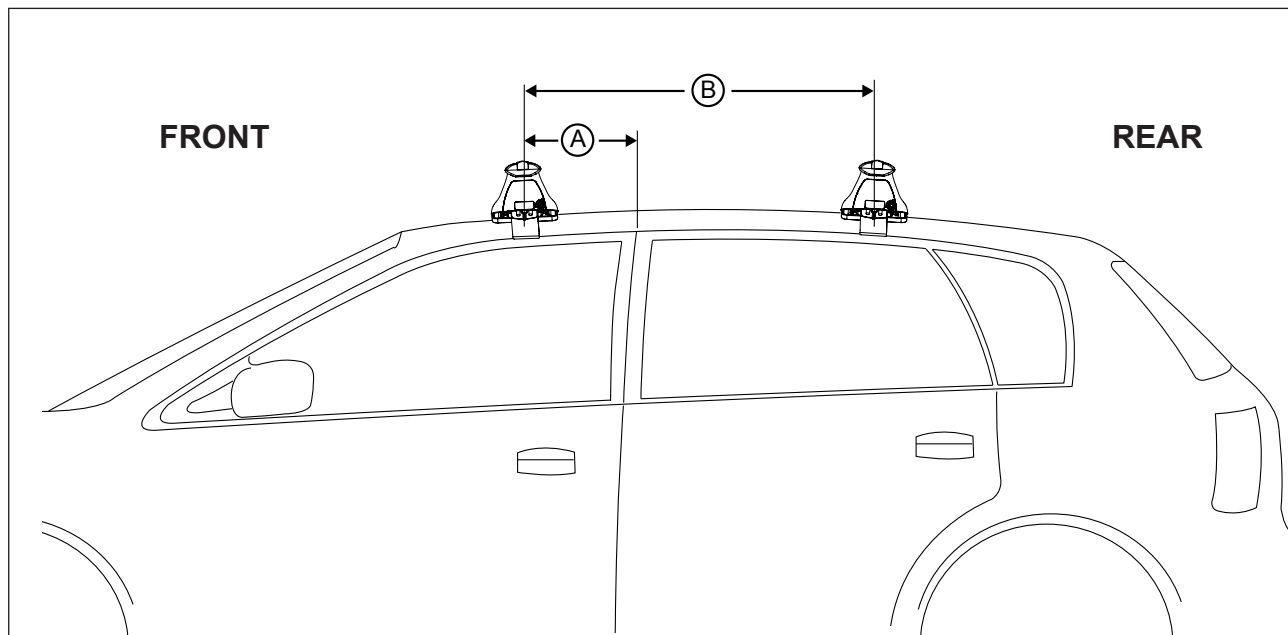
# DK369 Rhino-Rack VA, DA, Euro & HD crossbar instruction

**Measurement A:** CENTRE of door jamb to CENTRE arrow of leg foot plate.

**Measurement B:** CENTRE of Front leg foot plate arrow to CENTRE of Rear leg foot plate arrow.

**Carrying capacity:** Roof rack is rated to 75kg. Please refer to manufacturers handbook for your vehicles maximum roof load capacity. Always use the lower of the two figures.

If your vehicle is not listed on this fitting instruction please refer to your countries Rhino-Rack web site for the latest information.



VEHICLE	Date	Measurement A	Measurement B	Load Rating (includes racks 5kg/ 11lbs)
Nissan Pulsar 4dr sedan B17	02/13-	250mm / 9,27/32"	650mm / 25,19/32"	75kg/ 165lbs
Nissan Sentra 4dr sedan B17	13-	250mm / 9,27/32"	650mm / 25,19/32"	75kg/ 165lbs
Nissan Sylphy 4dr sedan B17	13-	250mm / 9,27/32"	650mm / 25,19/32"	75kg/ 165lbs