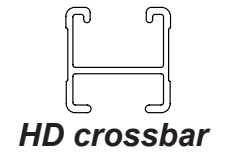
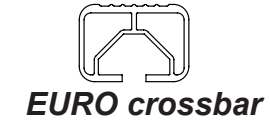
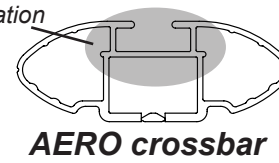
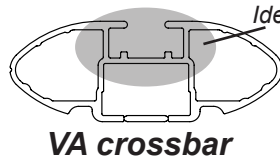




DK332 Rhino-Rack VA, Aero, Euro & HD crossbar instruction

IDENTIFICATION CHART



| Vehicle | Date | Crossbar | Front | | | | | Rear | | | | | | |
|--------------------|-------|----------|------------------|-----------------|-----------------------|-----------------------|-------------------|----------------------------|------------------|-----------------|-----------------------|-----------------------|-------------------|----------------------------|
| | | | Right Pad/ Clamp | Left Pad/ Clamp | strip length per side | strip length per side | Distance (x) | Foot plate arrow direction | Right Pad/ Clamp | Left Pad/ Clamp | strip length per side | strip length per side | Distance (x) | Foot plate arrow direction |
| Lexus GS 4dr sedan | 2012- | 1180mm | 142697 SUB0151 | 142696 SUB0151 | 194mm | 139mm | 956mm / 37,41/64" | OUT | M506 SUB0370 | M505 SUB0370 | 180mm | 125mm | 928mm / 36,17/32" | OUT |
| | | | Arrow OUT | | | | | | Arrow OUT | | | | | |
| | | | | | | | | | | | | | | |
| | | | | | | | | | | | | | | |
| | | | | | | | | | | | | | | |
| | | | | | | | | | | | | | | |



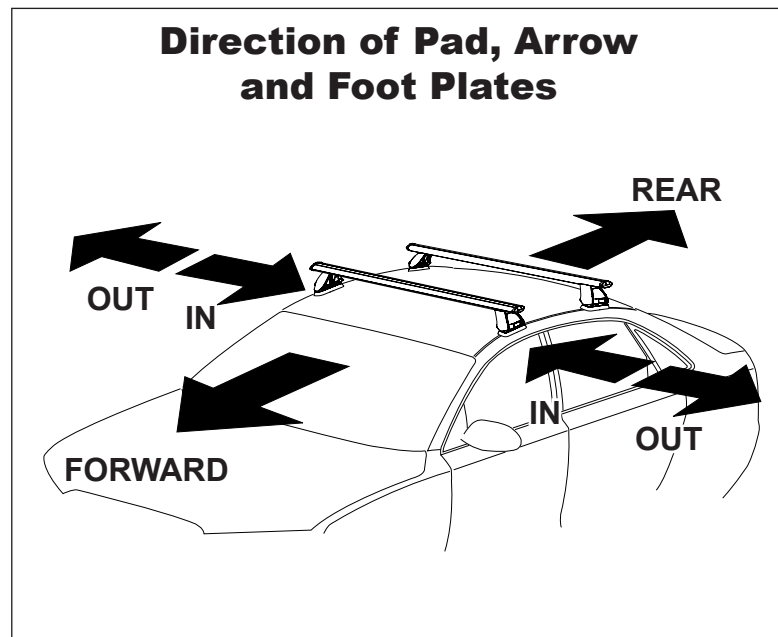
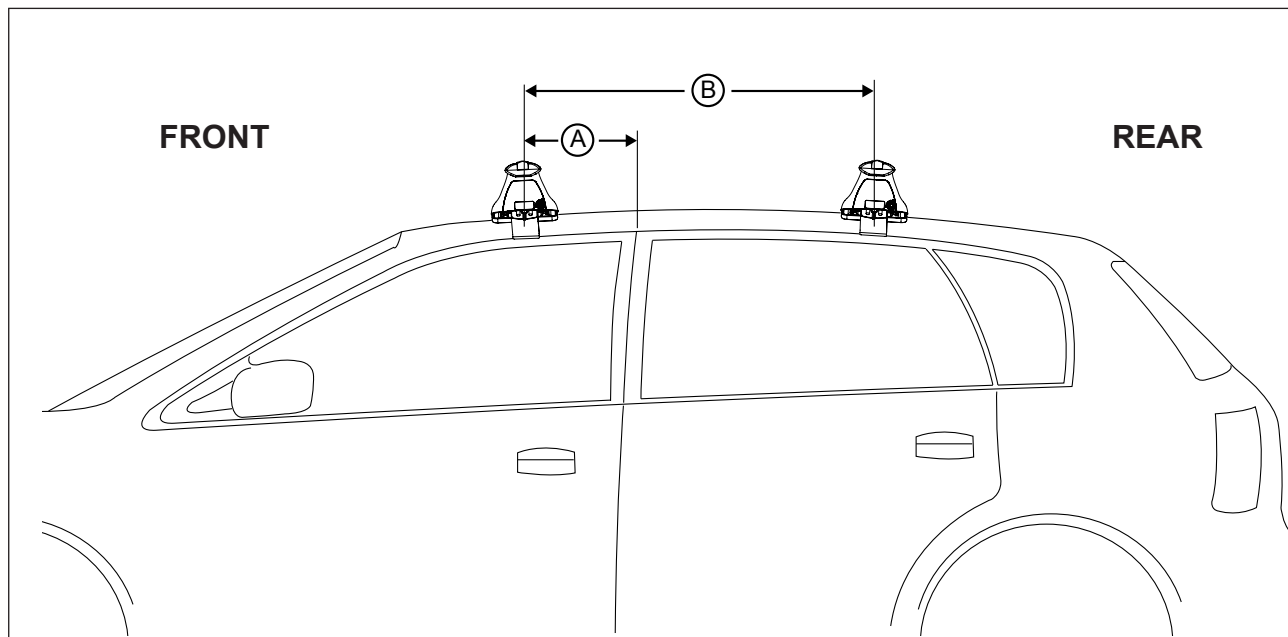
DK332 Rhino-Rack VA, Aero, Euro & HD crossbar instruction

Measurement A: CENTRE of door jamb to CENTRE arrow of leg foot plate.

Measurement B: CENTRE of Front leg foot plate arrow to CENTRE of Rear leg foot plate arrow.

Carrying capacity: Roof rack is rated to 75kg. Please refer to manufacturers handbook for your vehicles maximum roof load capacity. Always use the lower of the two figures.

If your vehicle is not listed on this fitting instruction please refer to your countries Rhino-Rack web site for the latest information.



| VEHICLE | Date | Measurement A | Measurement B | Load Rating (includes racks 5kg/ 11lbs) |
|--------------------|-------|---------------|------------------|---|
| Lexus GS 4dr sedan | 2012- | 330mm / 13" | 700mm / 27,9/16" | 60kg / 132lbs |
| | | | | |
| | | | | |
| | | | | |
| | | | | |