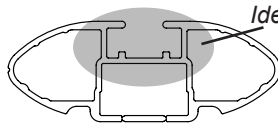


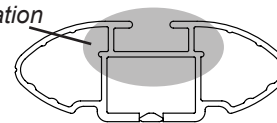


# DK327 Rhino-Rack VA, Aero, Euro & HD crossbar instruction

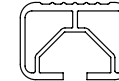
## IDENTIFICATION CHART



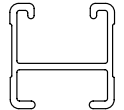
VA crossbar



AERO crossbar



EURO crossbar



HD crossbar

| Vehicle                          | Date  | Crossbar | Front            |                  |                       |                       |                 | Rear                       |                  |                 |                       |                       |                  |                            |
|----------------------------------|-------|----------|------------------|------------------|-----------------------|-----------------------|-----------------|----------------------------|------------------|-----------------|-----------------------|-----------------------|------------------|----------------------------|
|                                  |       |          | Right Pad/ Clamp | Left Pad/ Clamp  | strip length per side | strip length per side | Distance ( x )  | Foot plate arrow direction | Right Pad/ Clamp | Left Pad/ Clamp | strip length per side | strip length per side | Distance ( x )   | Foot plate arrow direction |
| Holden Barina TM 5dr hatch       | 2012- | 1180mm   | 142625FR SUB0155 | 142625FL SUB0155 | 162mm                 | 107mm                 | 892mm / 35,1/8" | OUT                        | 142629 SUB0155   | 142628 SUB0155  | 136mm                 | 81mm                  | 840mm / 33,5/64" | OUT                        |
|                                  |       |          | Arrow OUT        |                  |                       |                       |                 |                            | Arrow OUT        |                 |                       |                       |                  |                            |
| Chevrolet Sonic / Aveo 5dr hatch | 2012- | 1180mm   | 142625FR SUB0155 | 142625FL SUB0155 | 162mm                 | 107mm                 | 892mm / 35,1/8" | OUT                        | 142629 SUB0155   | 142628 SUB0155  | 136mm                 | 81mm                  | 840mm / 33,5/64" | OUT                        |
|                                  |       |          | Arrow OUT        |                  |                       |                       |                 |                            | Arrow OUT        |                 |                       |                       |                  |                            |
|                                  |       |          |                  |                  |                       |                       |                 |                            |                  |                 |                       |                       |                  |                            |
|                                  |       |          |                  |                  |                       |                       |                 |                            |                  |                 |                       |                       |                  |                            |
|                                  |       |          |                  |                  |                       |                       |                 |                            |                  |                 |                       |                       |                  |                            |



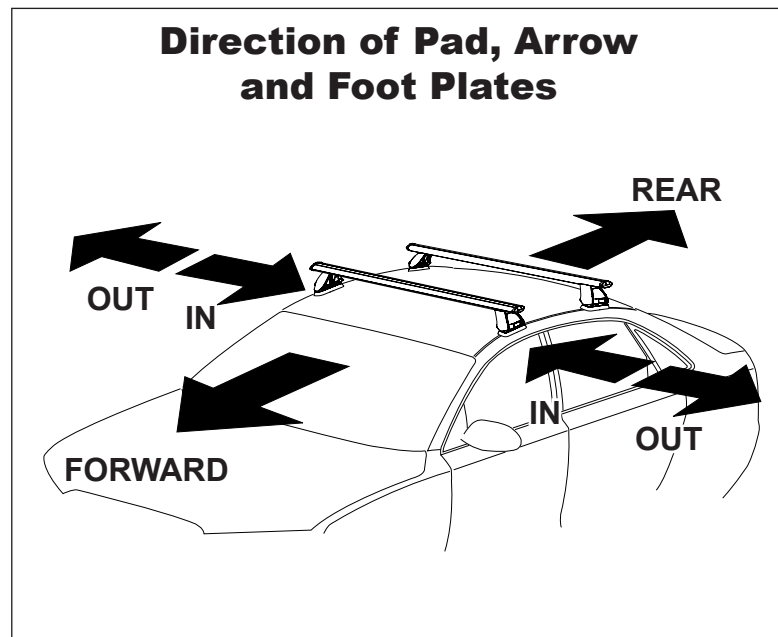
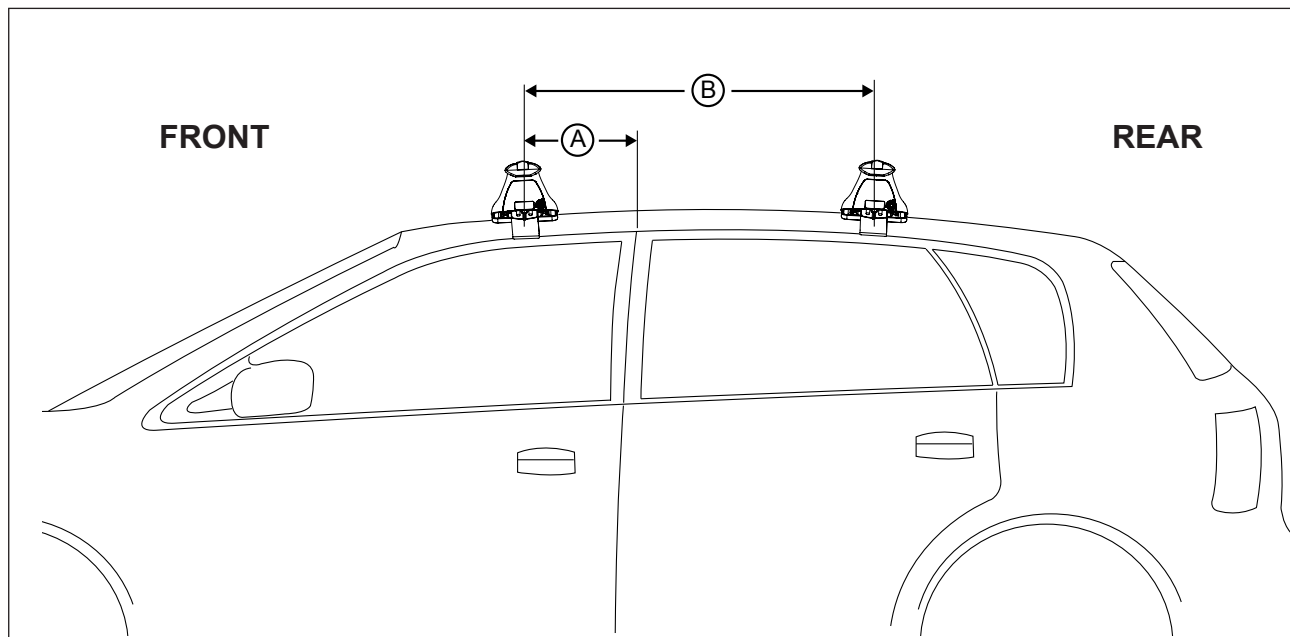
# DK327 Rhino-Rack VA, Aero, Euro & HD crossbar instruction

**Measurement A:** CENTRE of door jamb to CENTRE arrow of leg foot plate.

**Measurement B:** CENTRE of Front leg foot plate arrow to CENTRE of Rear leg foot plate arrow.

**Carrying capacity:** Roof rack is rated to 75kg. Please refer to manufacturers handbook for your vehicles maximum roof load capacity. Always use the lower of the two figures.

If your vehicle is not listed on this fitting instruction please refer to your countries Rhino-Rack web site for the latest information.



| VEHICLE                          | Date  | Measurement A   | Measurement B    | Load Rating (includes racks 5kg/ 11lbs) |
|----------------------------------|-------|-----------------|------------------|---|
| Holden Barina TM 5dr hatch       | 2012- | 340mm / 10,1/4" | 700mm / 27,9/16" | 50kg / 110lbs                           |
| Chevrolet Sonic / Aveo 5dr hatch | 2012- | 340mm / 10,1/4" | 700mm / 27,9/16" | 50kg / 110lbs                           |
|                                  |       |                 |                  |   |
|                                  |       |                 |                  |   |
|                                  |       |                 |                  |   |