

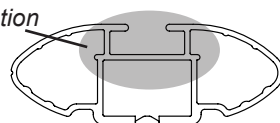


DK319 Rhino-Rack VA, Aero, Euro & HD crossbar instruction

IDENTIFICATION CHART



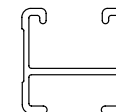
VA crossbar



AERO crossbar



EURO crossbar



HD crossbar

Vehicle	Date	Crossbar	Front					Rear						
			Right Pad/ Clamp	Left Pad/ Clamp	Measurement strip length per side	Measurement strip length per side	Measurement Distance (x)	Foot plate arrow direction	Right Pad/ Clamp	Left Pad/ Clamp	Measurement strip length per side	Measurement strip length per side	Measurement Distance (x)	Foot plate arrow direction
Honda Civic 4dr sedan	2012-	1260mm	M366 SUB0264		216mm	103mm	1080mm / 42,33/64"	OUT	M366 SUB0264		189mm	76mm	1026mm / 40,25/64"	OUT
			Arrow FORWARD						Arrow FORWARD					



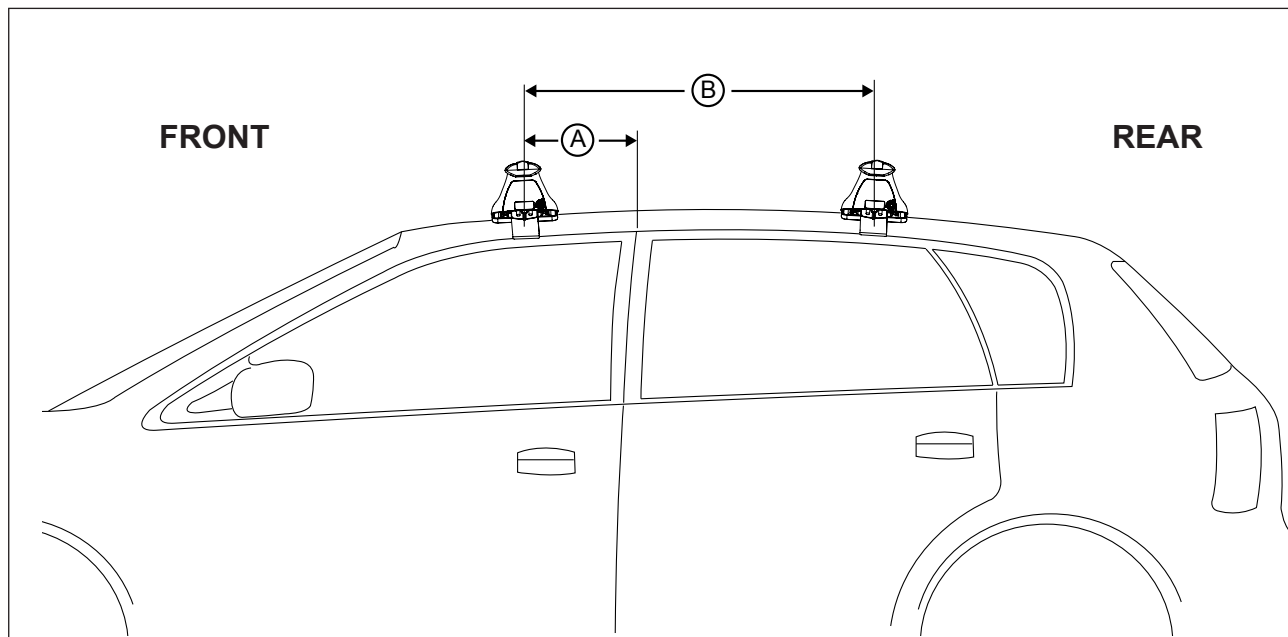
DK319 Rhino-Rack VA, Aero, Euro & HD crossbar instruction

Measurement A: CENTRE of door jamb to CENTRE arrow of leg foot plate.

Measurement B: CENTRE of Front leg foot plate arrow to CENTRE of Rear leg foot plate arrow.

Carrying capacity: Roof rack is rated to 75kg. Please refer to manufacturers handbook for your vehicles maximum roof load capacity. Always use the lower of the two figures.

If your vehicle is not listed on this fitting instruction please refer to your countries Rhino-Rack web site for the latest information.



VEHICLE	Date	Measurement A	Measurement B	Load Rating (includes racks 5kg/ 11lbs)
Honda Civic 4dr sedan	2012-	300mm / 11,13/16"	700mm / 27,9/16"	60kg / 132lb