

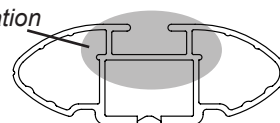


DK318 Rhino-Rack VA, Aero, Euro & HD crossbar instruction

IDENTIFICATION CHART



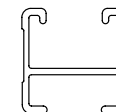
VA crossbar



AERO crossbar



EURO crossbar



HD crossbar

Vehicle	Date	Crossbar	Front					Rear					
			Right Pad/ Clamp	Left Pad/ Clamp	Measurement strip length per side	Measurement strip length per side	Measurement Distance (x)	Foot plate arrow direction	Right Pad/ Clamp	Left Pad/ Clamp	Measurement strip length per side	Measurement strip length per side	Measurement Distance (x)
Chrysler 300 4dr sedan	2012-	1375mm	M415 SUB0144	M414 SUB0144	149mm	94mm	1061mm / 41,49/64"	OUT	M416 SUB0264	156mm	101mm	1075mm / 42,21/64"	OUT
			Arrow OUT						Arrow OUT				
Lancia Thema 4dr sedan	2012-	1375mm	M415 SUB0144	M414 SUB0144	149mm	94mm	1061mm / 41,49/64"	OUT	M416 SUB0264	156mm	101mm	1075mm / 42,21/64"	OUT
			Arrow OUT						Arrow OUT				



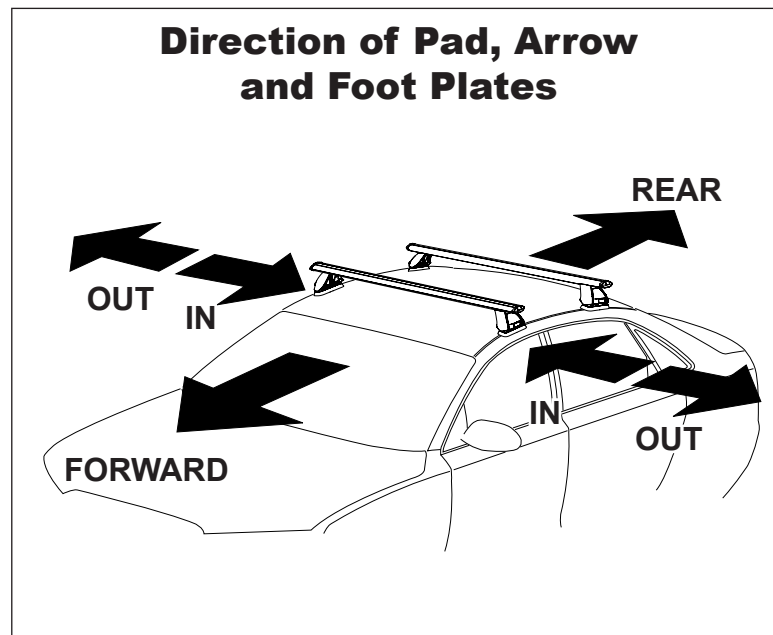
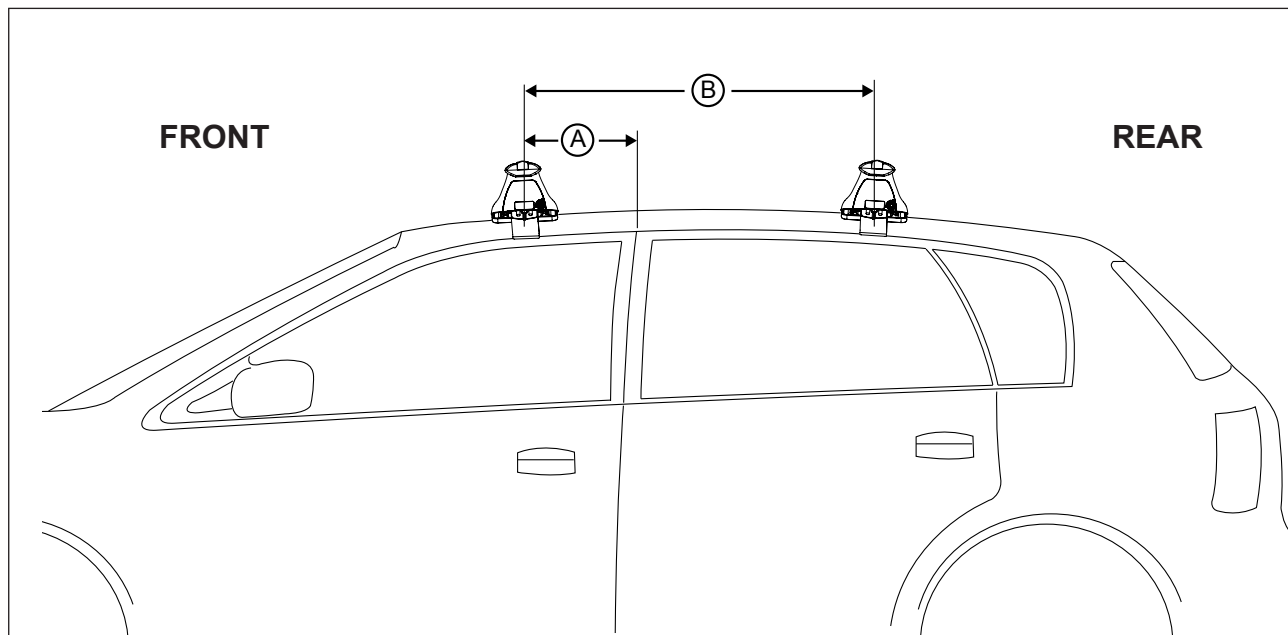
DK318 Rhino-Rack VA, Aero, Euro & HD crossbar instruction

Measurement A: CENTRE of door jamb to CENTRE arrow of leg foot plate.

Measurement B: CENTRE of Front leg foot plate arrow to CENTRE of Rear leg foot plate arrow.

Carrying capacity: Roof rack is rated to 75kg. Please refer to manufacturers handbook for your vehicles maximum roof load capacity. Always use the lower of the two figures.

If your vehicle is not listed on this fitting instruction please refer to your countries Rhino-Rack web site for the latest information.



VEHICLE	Date	Measurement A	Measurement B	Load Rating (includes racks 5kg/ 11lbs)
Chrysler 300 4dr sedan	2012-	350mm / 13,25/32"	760mm / 29,59/64"	75kg / 165lbs
Lancia Thema 4dr sedan	2012-	350mm / 13,25/32"	760mm / 29,59/64"	75kg / 165lbs