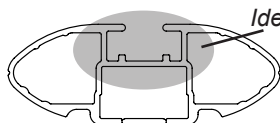


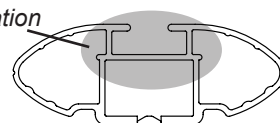


DK281 Rhino-Rack VA, Aero, Euro & HD crossbar instruction

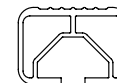
IDENTIFICATION CHART



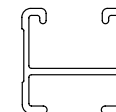
VA crossbar



AERO crossbar



EURO crossbar



HD crossbar

Vehicle	Date	Crossbar	Front					Rear						
			Right Pad/ Clamp	Left Pad/ Clamp	strip length per side	strip length per side	Distance (x)	Foot plate arrow direction	Right Pad/ Clamp	Left Pad/ Clamp	strip length per side	strip length per side	Distance (x)	Foot plate arrow direction
Hyundai i20 3dr hatch	04/2010-	1180mm	142625FR SUB0151	142625FL SUB0151	172mm	117mm	912mm / 35,29/32"	OUT	M506 SUB0150	M505 SUB0150	169mm	114mm	906mm / 35,43/64"	OUT
			Arrow OUT						Arrow OUT					



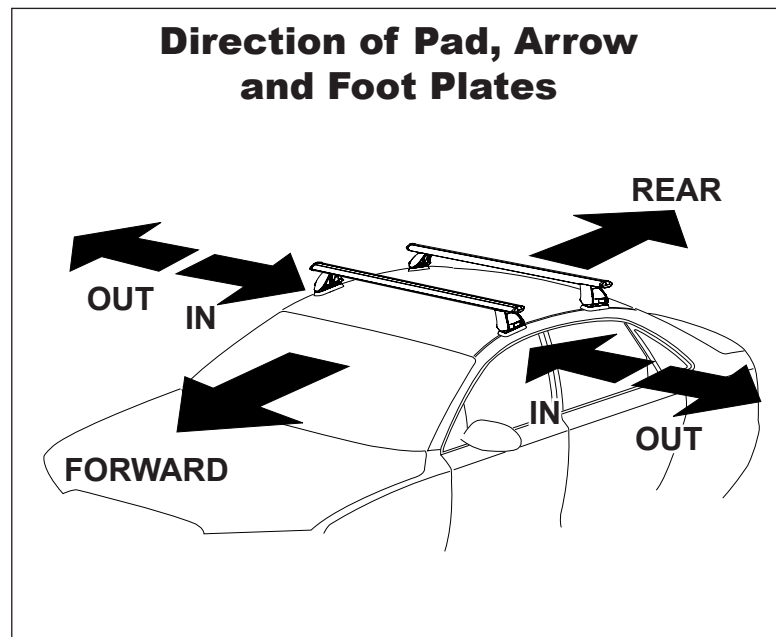
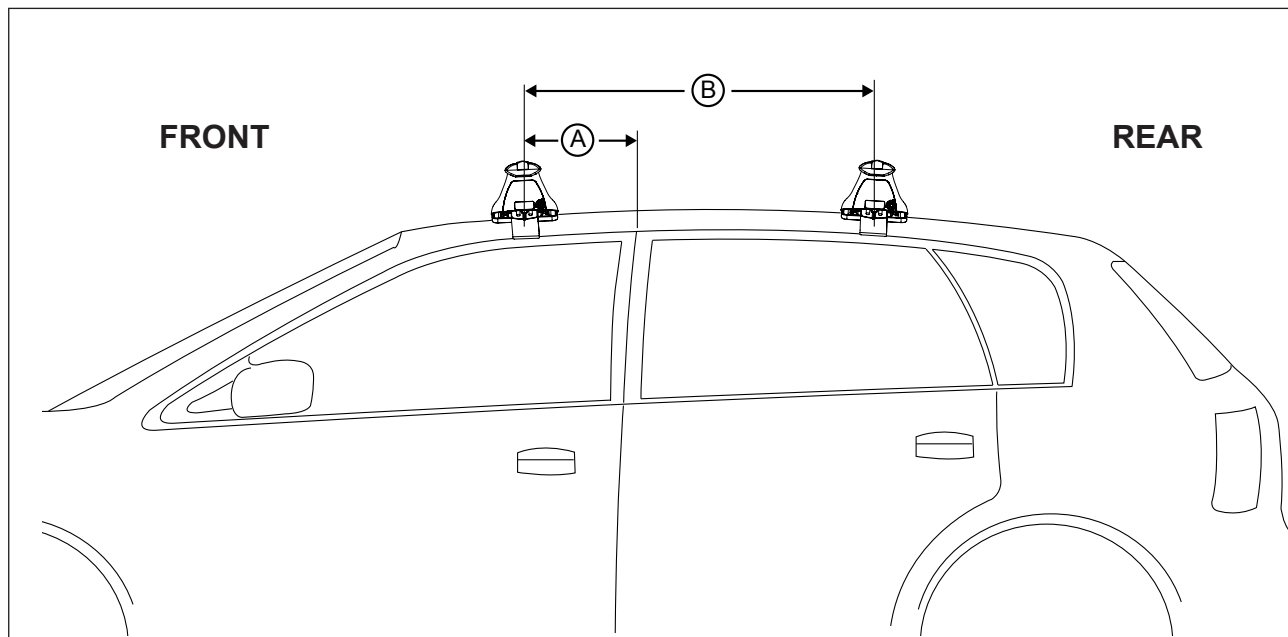
DK281 Rhino-Rack VA, Aero, Euro & HD crossbar instruction

Measurement A: CENTRE of door jamb to CENTRE arrow of leg foot plate.

Measurement B: CENTRE of Front leg foot plate arrow to CENTRE of Rear leg foot plate arrow.

Carrying capacity: Roof rack is rated to 75kg. Please refer to manufacturers handbook for your vehicles maximum roof load capacity. Always use the lower of the two figures.

If your vehicle is not listed on this fitting instruction please refer to your countries Rhino-Rack web site for the latest information.



VEHICLE	Date	Measurement A	Measurement B	Load Rating (includes racks 5kg/ 11lbs)
Hyundai i20 3dr hatch	04/2010-	620mm / 24,13/32"	540mm / 21,1/4"	40kg / 88lbs