



# DK273 Rhino-Rack VA, Aero, Euro & HD crossbar instruction

## IDENTIFICATION CHART



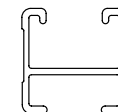
VA crossbar



AERO crossbar



EURO crossbar



HD crossbar

| Vehicle                | Date  | Crossbar | Front            |                  |                                   |                                   |                            | Rear                       |                  |                 |                                   |                                   |                            |                            |
|------------------------|-------|----------|------------------|------------------|-----------------------------------|-----------------------------------|----------------------------|----------------------------|------------------|-----------------|-----------------------------------|-----------------------------------|----------------------------|----------------------------|
|                        |       |          | Right Pad/ Clamp | Left Pad/ Clamp  | Measurement strip length per side | Measurement strip length per side | Measurement Distance ( x ) | Foot plate arrow direction | Right Pad/ Clamp | Left Pad/ Clamp | Measurement strip length per side | Measurement strip length per side | Measurement Distance ( x ) | Foot plate arrow direction |
| Suzuki Swift 5dr hatch | 2011- | 1060mm   | 142625RL SUB0150 | 142625RR SUB0150 | 217mm                             | 107mm                             | 888mm / 34,61/64"          | OUT                        | M505 SUB0256     | M506 SUB0256    | 197mm                             | 87mm                              | 848mm / 33,3/8"            | OUT                        |
|                        |       |          | Arrow OUT        |                  |                                   |                                   |                            |                            | Arrow OUT        |                 |                                   |                                   |                            |                            |
|                        |       |          |                  |                  |                                   |                                   |                            |                            |                  |                 |                                   |                                   |                            |                            |
|                        |       |          |                  |                  |                                   |                                   |                            |                            |                  |                 |                                   |                                   |                            |                            |
|                        |       |          |                  |                  |                                   |                                   |                            |                            |                  |                 |                                   |                                   |                            |                            |
|                        |       |          |                  |                  |                                   |                                   |                            |                            |                  |                 |                                   |                                   |                            |                            |



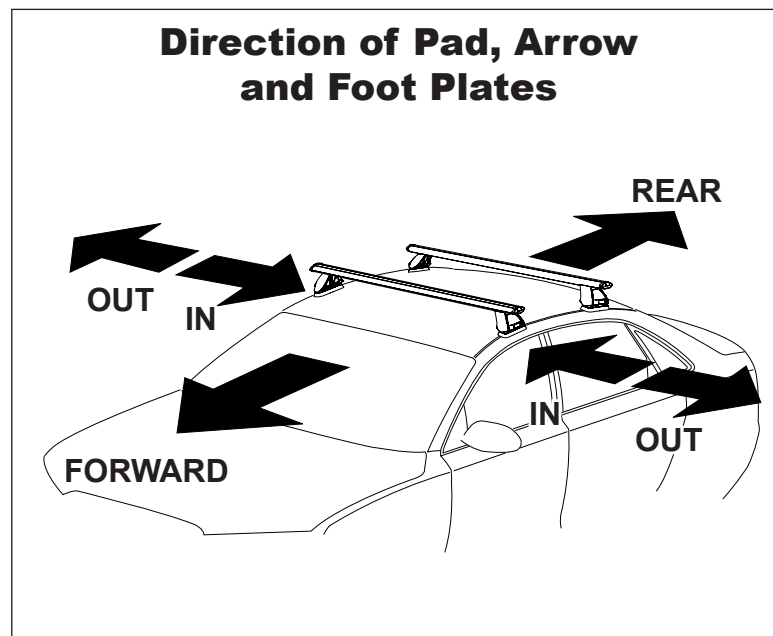
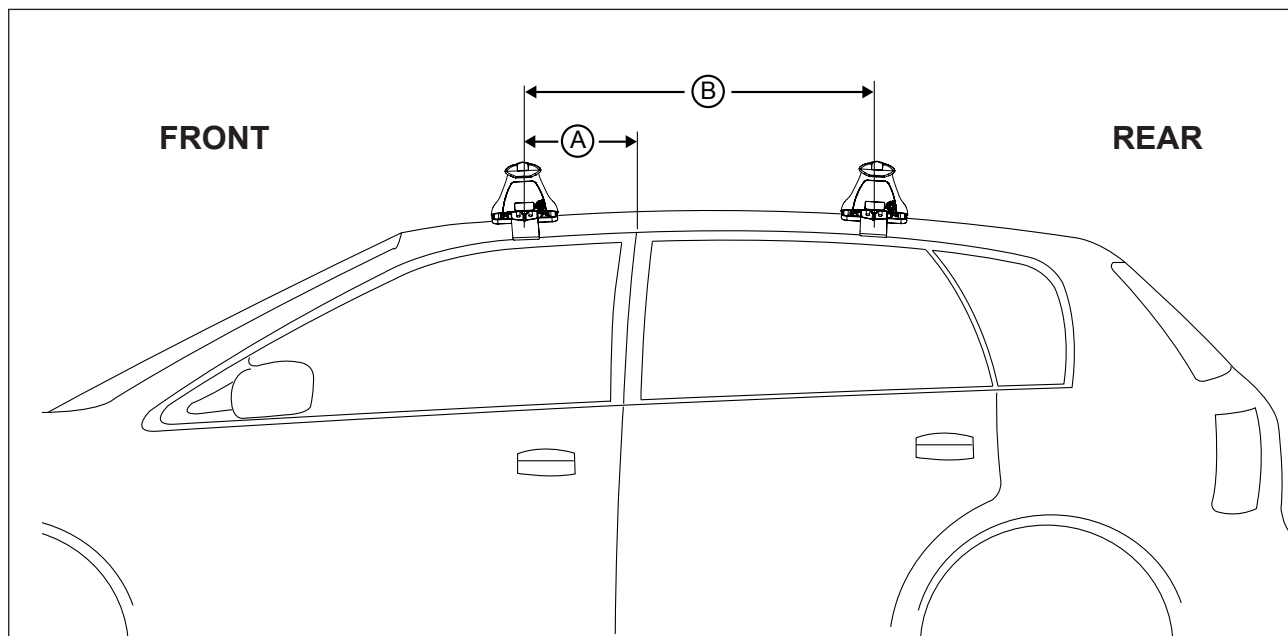
# DK273 Rhino-Rack VA, Aero, Euro & HD crossbar instruction

**Measurement A:** CENTRE of door jamb to CENTRE arrow of leg foot plate.

**Measurement B:** CENTRE of Front leg foot plate arrow to CENTRE of Rear leg foot plate arrow.

**Carrying capacity:** Roof rack is rated to 75kg. Please refer to manufacturers handbook for your vehicles maximum roof load capacity. Always use the lower of the two figures.

If your vehicle is not listed on this fitting instruction please refer to your countries Rhino-Rack web site for the latest information.



| VEHICLE                | Date  | Measurement A   | Measurement B    | Load Rating (includes racks 5kg/ 11lbs) |
|------------------------|-------|-----------------|------------------|---|
| Suzuki Swift 5dr hatch | 2011- | 270mm / 10,5/8" | 700mm / 27,9/16" | 50kg / 110lbs                           |
|                        |       |                 |                  |   |
|                        |       |                 |                  |   |
|                        |       |                 |                  |   |
|                        |       |                 |                  |   |