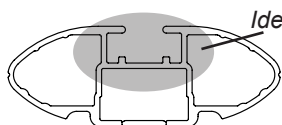


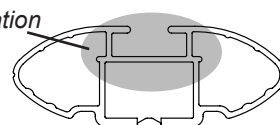


DK258 Rhino-Rack VA, Aero, Euro & HD crossbar instruction

IDENTIFICATION CHART



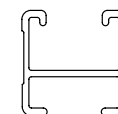
VA crossbar



AERO crossbar



EURO crossbar



HD crossbar

Vehicle	Date	Crossbar	Front					Rear						
			Right Pad/ Clamp	Left Pad/ Clamp	Measurement strip length per side	Measurement strip length per side	Measurement Distance (x)	Foot plate arrow direction	Right Pad/ Clamp	Left Pad/ Clamp	Measurement strip length per side	Measurement strip length per side	Measurement Distance (x)	Foot plate arrow direction
Kia Venga 5dr hatch	2009-	1180mm	M282 SUB0381	M281 SUB0381	199mm	144mm	966mm / 38,1/32"	OUT	M284 SUB0262	M283 SUB0262	166mm	111mm	900mm / 35,7/16"	OUT
			Arrow FORWARD						Arrow FORWARD					
Subaru Impreza 5dr hatch	2012-	1180mm	M282 SUB0381	M281 SUB0381	195mm	140mm	958mm / 37,23/32"	OUT	M284 SUB0262	M283 SUB0262	169mm	114mm	906mm / 35,43/64"	OUT
			Arrow FORWARD						Arrow FORWARD					
Subaru Impreza 4dr sedan	2012-	1180mm	M282 SUB0381	M281 SUB0381	198mm	143mm	964mm / 37,61/64"	OUT	M284 SUB0262	M283 SUB0262	172mm	117mm	912mm / 35,29/32"	OUT
			Arrow FORWARD						Arrow FORWARD					



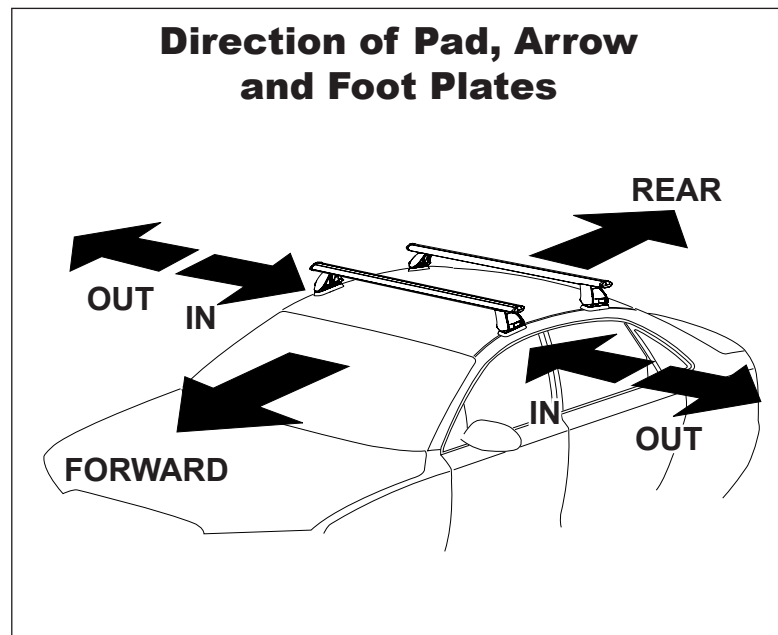
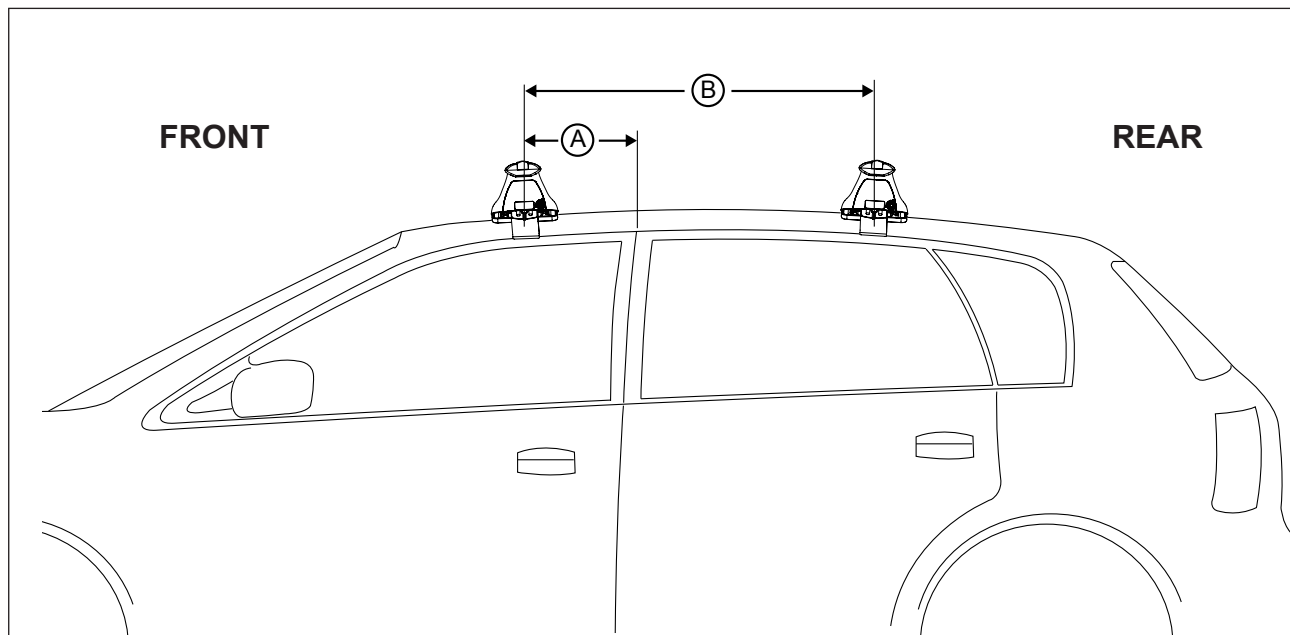
DK258 Rhino-Rack VA, Aero, Euro & HD crossbar instruction

Measurement A: CENTRE of door jamb to CENTRE arrow of leg foot plate.

Measurement B: CENTRE of Front leg foot plate arrow to CENTRE of Rear leg foot plate arrow.

Carrying capacity: Roof rack is rated to 75kg. Please refer to manufacturers handbook for your vehicles maximum roof load capacity. Always use the lower of the two figures.

If your vehicle is not listed on this fitting instruction please refer to your countries Rhino-Rack web site for the latest information.



VEHICLE	Date	Measurement A	Measurement B	Load Rating (includes racks 5kg/ 11lbs)
Kia Venga 5dr hatch	2009-	300mm / 11,13/16"	750mm / 29,17/32"	50kg / 110lbs
Subaru Impreza 5dr hatch	2012-	270mm / 10,5/8"	675mm / 26,37/64"	75kg / 165lbs
Subaru Impreza 4dr sedan	2012-	280mm / 11,1/32"	650mm / 25,19/32"	75kg / 165lbs