

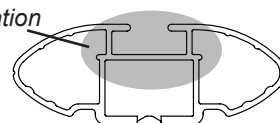


DK250 Rhino-Rack VA, Aero, Euro & HD crossbar instruction

IDENTIFICATION CHART



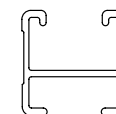
VA crossbar



AERO crossbar



EURO crossbar



HD crossbar

Vehicle	Date	Crossbar	Front					Rear						
			Right Pad/ Clamp	Left Pad/ Clamp	strip length per side	strip length per side	Distance (x)	Foot plate arrow direction	Right Pad/ Clamp	Left Pad/ Clamp	strip length per side	strip length per side	Distance (x)	Foot plate arrow direction
Hyundai i45 4dr sedan (Excludes Glass Roof)	2010 on	1260mm	M366 SUB0256	M366 SUB0256	163mm	50mm	974mm / 38,11/32"	OUT	M366 SUB0381	M366 SUB0381	158mm	45mm	964mm / 37,61/64"	OUT
			Arrow FORWARD						Arrow FORWARD					
Hyundai Sonata 4dr sedan (Excludes Glass Roof)	2010 on	1260mm	M366 SUB0256	M366 SUB0256	163mm	50mm	974mm / 38,11/32"	OUT	M366 SUB0381	M366 SUB0381	158mm	45mm	964mm / 37,61/64"	OUT
			Arrow FORWARD						Arrow FORWARD					



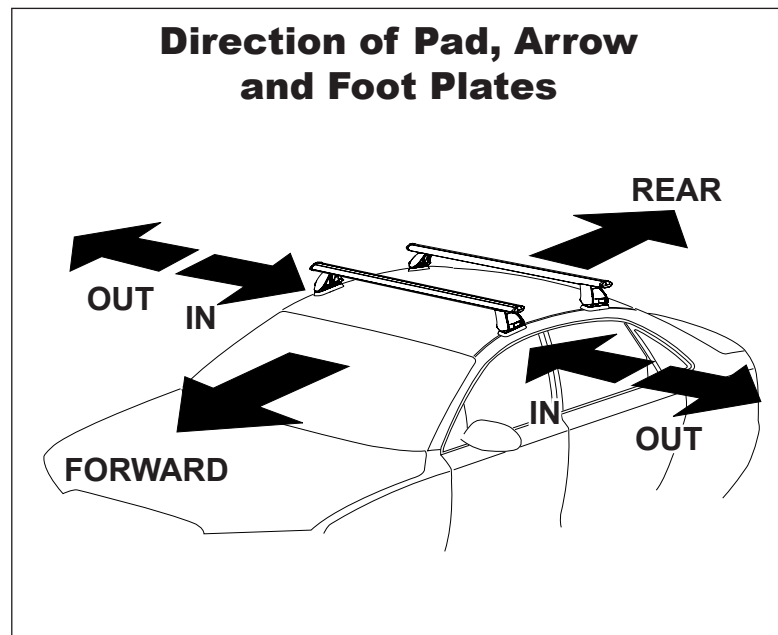
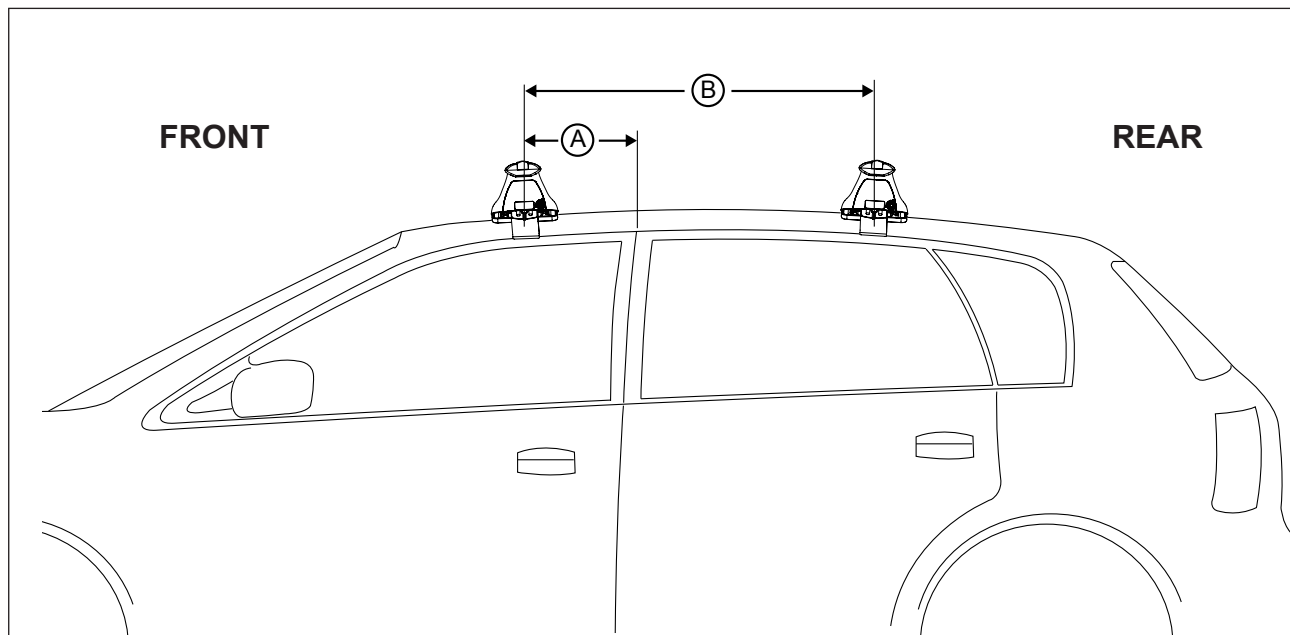
DK250 Rhino-Rack VA, Aero, Euro & HD crossbar instruction

Measurement A: CENTRE of door jamb to CENTRE arrow of leg foot plate.

Measurement B: CENTRE of Front leg foot plate arrow to CENTRE of Rear leg foot plate arrow.

Carrying capacity: Roof rack is rated to 75kg. Please refer to manufacturers handbook for your vehicles maximum roof load capacity. Always use the lower of the two figures.

If your vehicle is not listed on this fitting instruction please refer to your countries Rhino-Rack web site for the latest information.



VEHICLE	Date	Measurement A	Measurement B	Load Rating (includes racks 5kg/ 11lbs)
Hyundai i45 4dr sedan (Excludes Glass Roof)	2010 on	190mm / 7,31/64"	700mm / 27,9/16"	75kg / 165lbs
Hyundai Sonata 4dr sedan (Excludes Glass Roof)	2010 on	190mm / 7,31/64"	700mm / 27,9/16"	75kg / 165lbs