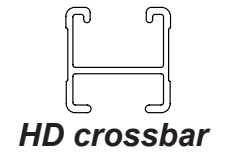
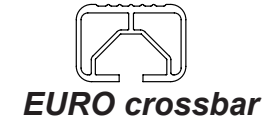
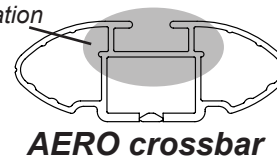
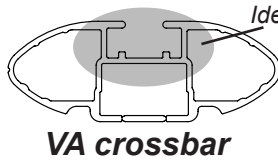




# DK215 Rhino-Rack VA, Aero, Euro & HD crossbar instruction

## IDENTIFICATION CHART



| Vehicle                           | Date       | Crossbar           | Front            |                 |                                   |                                   |                            | Rear                       |                  |                 |                                   |                                   |                            |                            |
|-----------------------------------|------------|--------------------|------------------|-----------------|-----------------------------------|-----------------------------------|----------------------------|----------------------------|------------------|-----------------|-----------------------------------|-----------------------------------|----------------------------|----------------------------|
|                                   |            |                    | Right Pad/ Clamp | Left Pad/ Clamp | Measurement strip length per side | Measurement strip length per side | Measurement Distance ( x ) | Foot plate arrow direction | Right Pad/ Clamp | Left Pad/ Clamp | Measurement strip length per side | Measurement strip length per side | Measurement Distance ( x ) | Foot plate arrow direction |
| Mercedes S-Class (W221) 4dr sedan | 02/2006 on | 1260mm / 49,19/32" | M506 SUB0151     | M505 SUB0151    | 169mm                             | 56mm                              | 986mm / 38,13/16"          | OUT                        | M505 SUB0257     | M506 SUB0257    | 155mm                             | 42mm                              | 958mm / 37,23/32"          | OUT                        |
|                                   |            |                    | Arrow OUT        |                 |                                   |                                   |                            |                            | Arrow OUT        |                 |                                   |                                   |                            |                            |
|                                   |            |                    |                  |                 |                                   |                                   |                            |                            |                  |                 |                                   |                                   |                            |                            |
|                                   |            |                    |                  |                 |                                   |                                   |                            |                            |                  |                 |                                   |                                   |                            |                            |
|                                   |            |                    |                  |                 |                                   |                                   |                            |                            |                  |                 |                                   |                                   |                            |                            |
|                                   |            |                    |                  |                 |                                   |                                   |                            |                            |                  |                 |                                   |                                   |                            |                            |



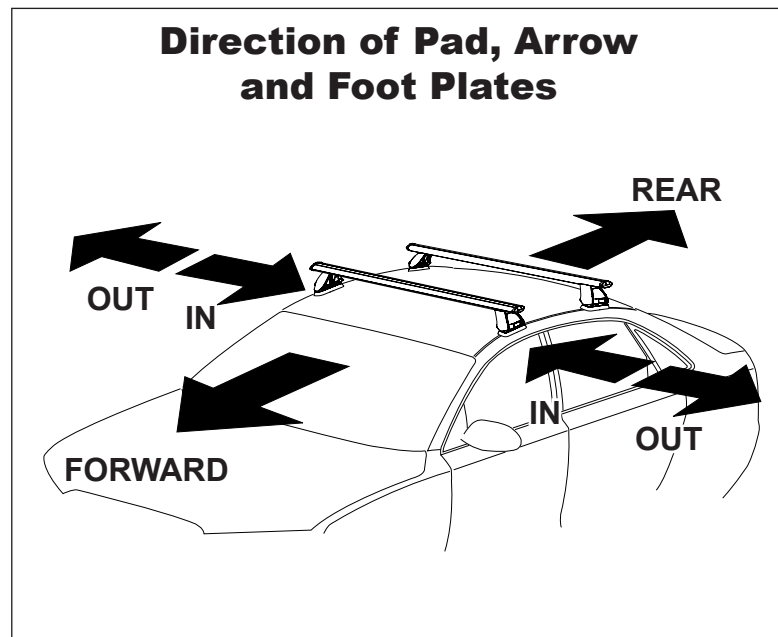
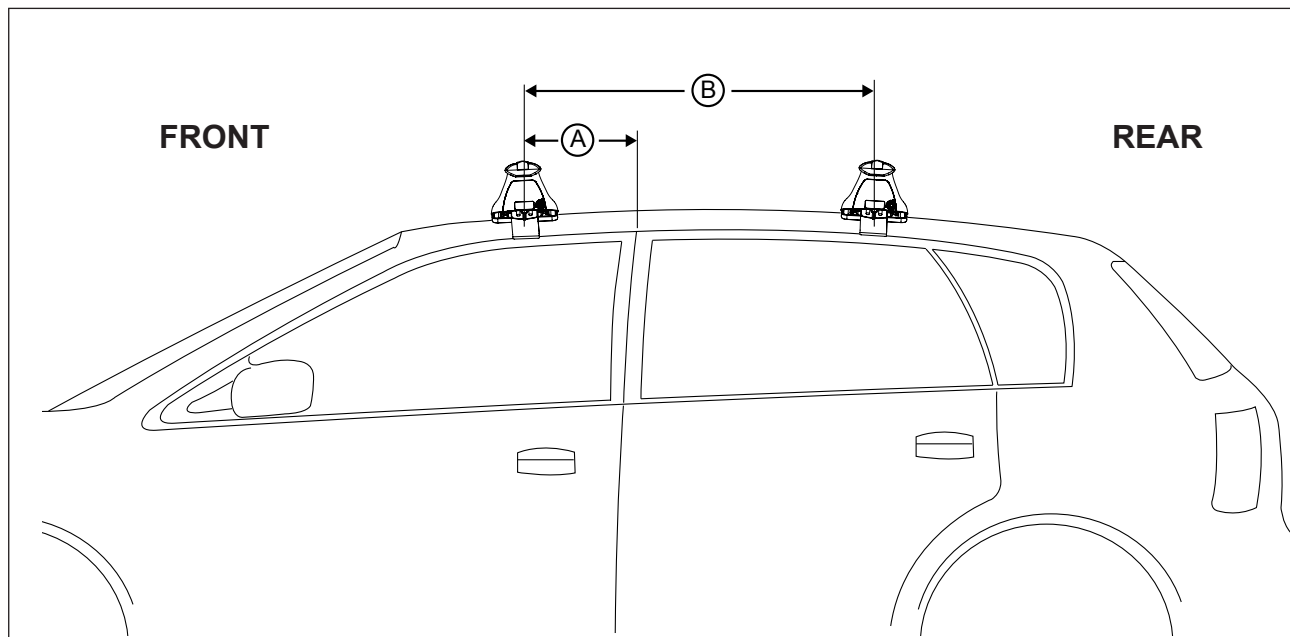
# DK215 Rhino-Rack VA, Aero, Euro & HD crossbar instruction

**Measurement A:** CENTRE of door jamb to CENTRE arrow of leg foot plate.

**Measurement B:** CENTRE of Front leg foot plate arrow to CENTRE of Rear leg foot plate arrow.

**Carrying capacity:** Roof rack is rated to 75kg. Please refer to manufacturers handbook for your vehicles maximum roof load capacity. Always use the lower of the two figures.

If your vehicle is not listed on this fitting instruction please refer to your countries Rhino-Rack web site for the latest information.



| VEHICLE                           | Date       | Measurement A    | Measurement B     | Load Rating (includes racks 5kg/ 11lbs) |
|-----------------------------------|------------|------------------|-------------------|---|
| Mercedes S-Class (W221) 4dr sedan | 02/2006 on | 220mm / 8,21/32" | 680mm / 26,25/32" | 60kg / 132lbs                           |
|                                   |            |                  |                   |   |
|                                   |            |                  |                   |   |
|                                   |            |                  |                   |   |
|                                   |            |                  |                   |   |