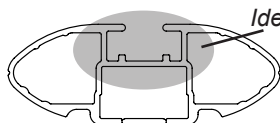


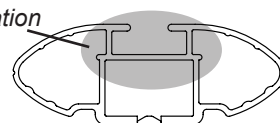


# DK214 Rhino-Rack VA, Aero, Euro & HD crossbar instruction

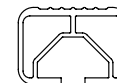
## IDENTIFICATION CHART



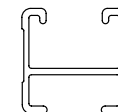
VA crossbar



AERO crossbar



EURO crossbar



HD crossbar

Vehicle	Date	Crossbar	Front					Rear						
			Right Pad/ Clamp	Left Pad/ Clamp	Measurement strip length per side	Measurement strip length per side	Measurement Distance ( x )	Foot plate arrow direction	Right Pad/ Clamp	Left Pad/ Clamp	Measurement strip length per side	Measurement strip length per side	Measurement Distance ( x )	Foot plate arrow direction
Mercedes E-Class (W212) 4dr sedan	07/2009 on	1180mm / 46,29/64"	M506 SUB0257	M505 SUB0257	199mm	144mm	966mm / 38,1/32"	OUT	M505 SUB0257	M506 SUB0257	190mm	135mm	948mm / 37,21/64"	OUT
			Arrow FORWARD						Arrow FORWARD					



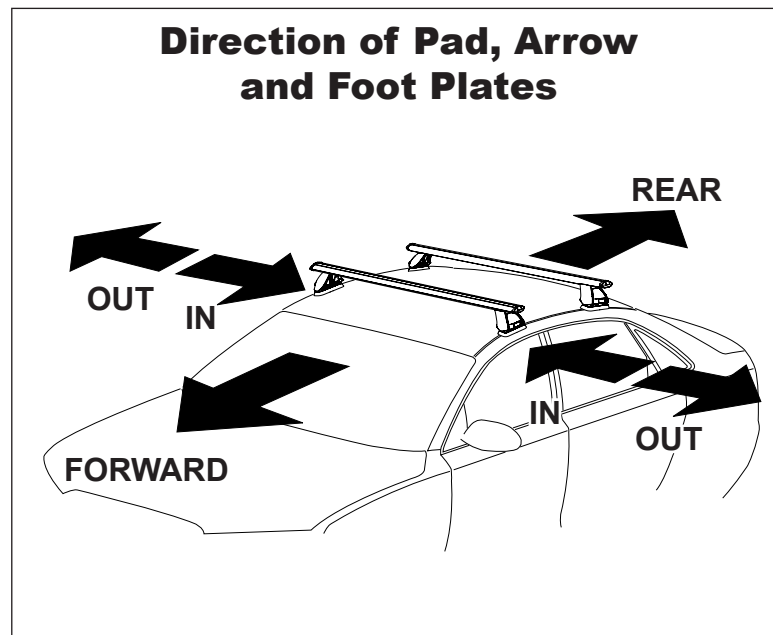
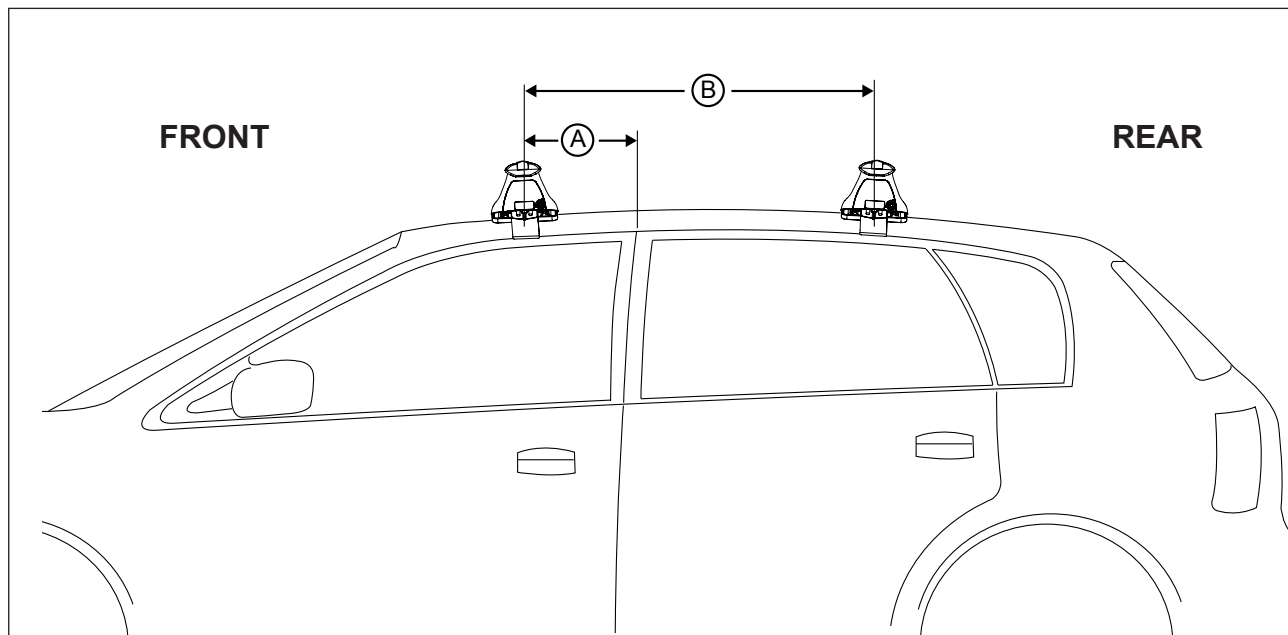
# DK214 Rhino-Rack VA, Aero, Euro & HD crossbar instruction

**Measurement A:** CENTRE of door jamb to CENTRE arrow of leg foot plate.

**Measurement B:** CENTRE of Front leg foot plate arrow to CENTRE of Rear leg foot plate arrow.

**Carrying capacity:** Roof rack is rated to 75kg. Please refer to manufacturers handbook for your vehicles maximum roof load capacity. Always use the lower of the two figures.

If your vehicle is not listed on this fitting instruction please refer to your countries Rhino-Rack web site for the latest information.



VEHICLE	Date	Measurement A	Measurement B	Load Rating (includes racks 5kg/11lbs)
Mercedes E-Class (W212) 4dr sedan	07/2009 on	235mm / 9,1/4"	680mm / 26,25/32"	60kg / 132lbs