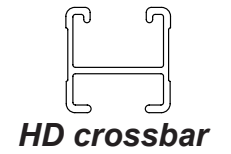
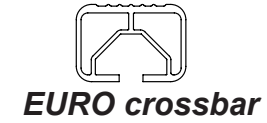
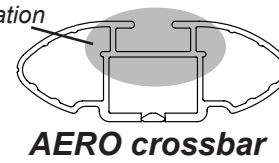
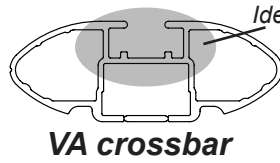




DK213 Rhino-Rack VA, Aero, Euro & HD crossbar instruction

IDENTIFICATION CHART



Vehicle	Date	Crossbar	Front					Rear						
			Right Pad/ Clamp	Left Pad/ Clamp	Measurement strip length per side	Measurement strip length per side	Measurement Distance (x)	Foot plate arrow direction	Right Pad/ Clamp	Left Pad/ Clamp	Measurement strip length per side	Measurement strip length per side	Measurement Distance (x)	Foot plate arrow direction
Mercedes C-Class (W204) 4dr sedan	2007 on	1180mm	M506 SUB0256	M505 SUB0256	176mm	121mm	920mm / 36,7/32"	OUT	M505 SUB0257	M506 SUB0257	163mm	108mm	894mm / 35,13/64"	OUT
			Arrow OUT						Arrow OUT					



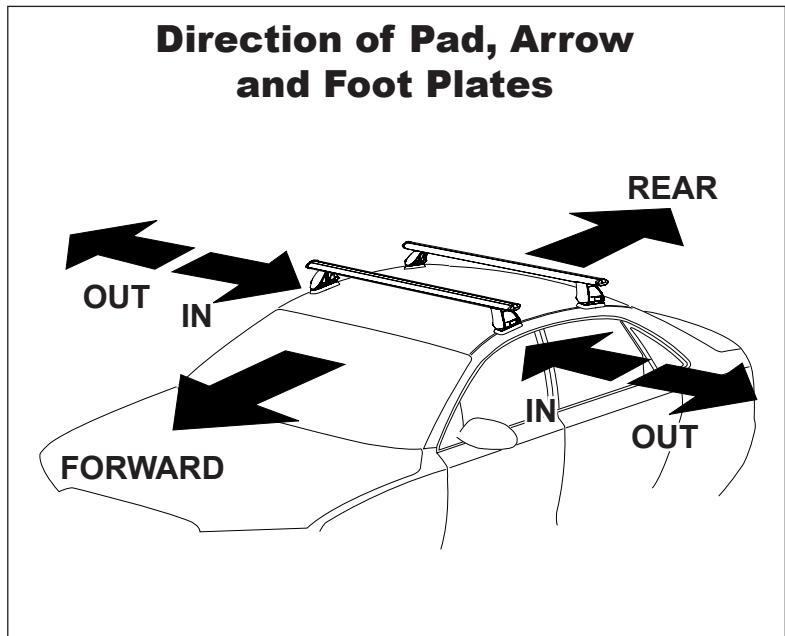
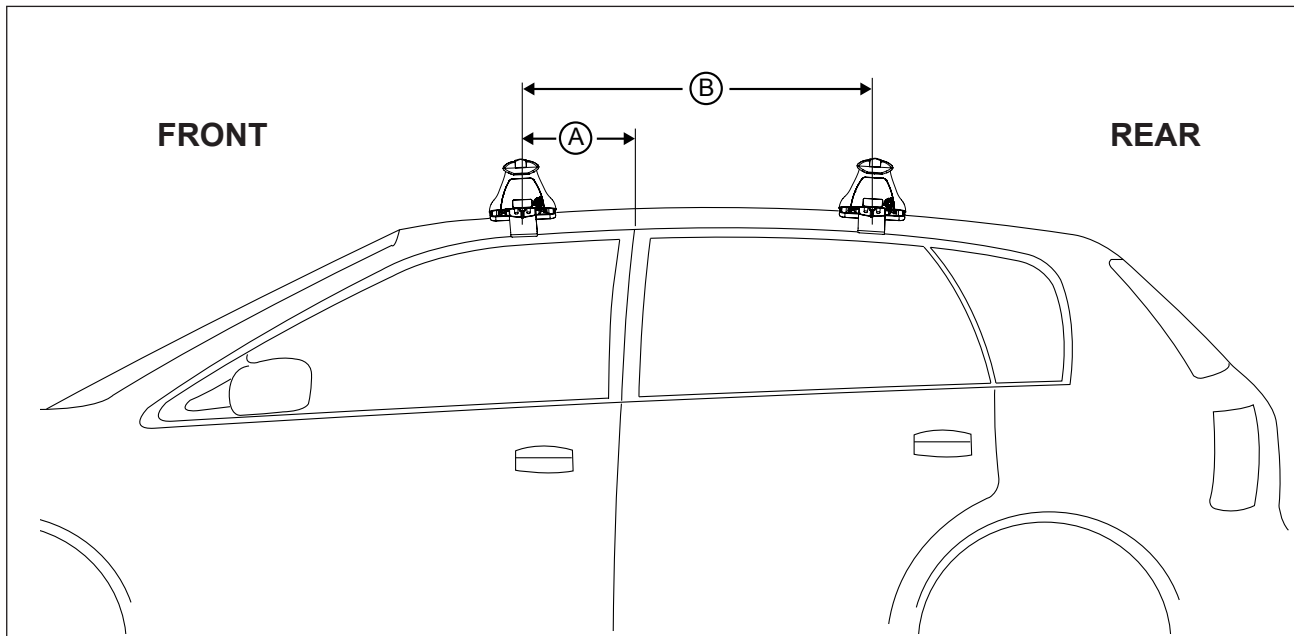
DK213 Rhino-Rack VA, Aero, Euro & HD crossbar instruction

Measurement A: CENTRE of door jamb to CENTRE arrow of leg foot plate.

Measurement B: CENTRE of Front leg foot plate arrow to CENTRE of Rear leg foot plate arrow.

Carrying capacity: Roof rack is rated to 75kg. Please refer to manufacturers handbook for your vehicles maximum roof load capacity. Always use the lower of the two figures.

If your vehicle is not listed on this fitting instruction please refer to your countries Rhino-Rack web site for the latest information.



VEHICLE	Date	Measurement A	Measurement B	Load Rating (includes racks 5kg/11lbs)
Mercedes C-Class (W204) 4dr sedan	2007 on	235mm / 9,1/4"	660mm / 25,63/64"	60kg / 132lbs