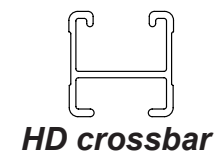
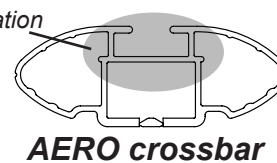
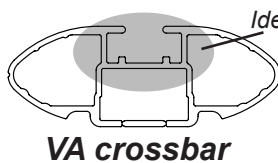




# DK212 Rhino-Rack VA, Aero, Euro & HD crossbar instruction

## IDENTIFICATION CHART



Vehicle	Date	Crossbar	Front					Rear						
			Right Pad/ Clamp	Left Pad/ Clamp	strip length per side	strip length per side	Distance ( x )	Foot plate arrow direction	Right Pad/ Clamp	Left Pad/ Clamp	strip length per side	strip length per side	Distance ( x )	Foot plate arrow direction
Kia Spectra 4dr sedan	2004-2009	1180mm / 46,29/64"	M506 SUB0151	M505 SUB0151	164mm	109mm	896mm / 35,9/32"	OUT	M505 SUB0151	M506 SUB0151	162mm	107mm	892mm / 35,1/8"	OUT
			Arrow FORWARD						Arrow FORWARD					



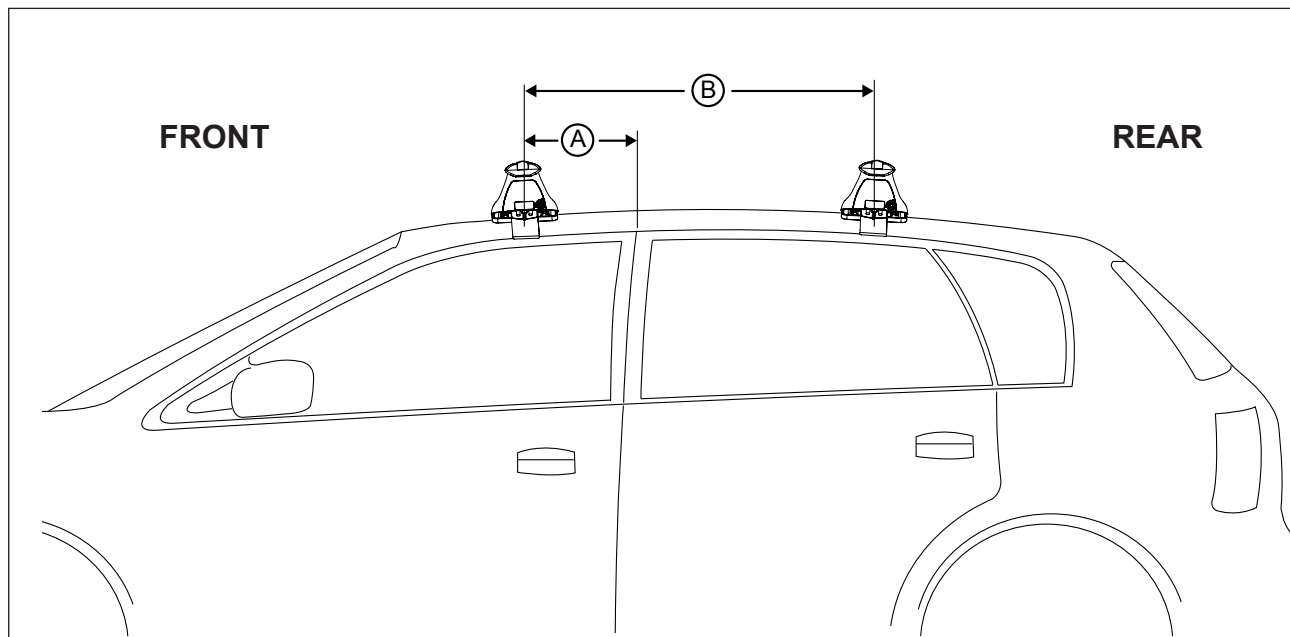
# DK212 Rhino-Rack VA, Aero, Euro & HD crossbar instruction

**Measurement A:** CENTRE of door jamb to CENTRE arrow of leg foot plate.

**Measurement B:** CENTRE of Front leg foot plate arrow to CENTRE of Rear leg foot plate arrow.

**Carrying capacity:** Roof rack is rated to 75kg. Please refer to manufacturers handbook for your vehicles maximum roof load capacity. Always use the lower of the two figures.

If your vehicle is not listed on this fitting instruction please refer to your countries Rhino-Rack web site for the latest information.



VEHICLE	Date	Measurement A	Measurement B	Load Rating (includes racks 5kg/ 11lbs)
Kia Spectra 4dr sedan	2004-2009	200mm / 7,7/8"	650mm / 25,19/32"	50kg / 110lbs